

# FLUID CONTROL COMPONENTS & ENGINEERED SYSTEMS



SITECNA CATALOGUE - 2015 VERSION



www.sitecna.eu

## Quality

Sitecna® is committed to granting the highest standards of quality, safety, and responsiveness through all our activities, both internal and external.

Total quality concept is our basic strategy influencing every single choice and providing a solid base for our current and future growth.

We use our energies and skills with humility and an open mind team approach in order to meet or exceed our customers expectations for quality and performance.



Our commitment towards continuous improvements of our management is certified in accordance with ISO9001 requirements from ANCIS.

## Contents

### GENERAL INFORMATION:

- Company profile
- Organization
- Know how
- Customers & applications
- Engineering capabilities
- HSE policy



### PRODUCT INDEX:

- Section A /Air-gas preparation equipments
- Section B/Control valves
- Section C/Instruments & accessories



### TECHNICAL INFORMATION:

- 94/9/CE air equipments declaration
- EAC material approval
- EN10204/3.1 certificate prototype
- PED declaration
- Material compatibility chart
- Materials temperature range
- ISO 9001:2008





# GENERAL INFORMATION

## Company Profile

Born in 1986 as a commercial company, Sitecna® has developed a very technical and high level experience in fluid control. Our know how in components and engineered systems stems from years of problem facing and solving for the most critical sectors.

Thanks to a very experienced team of engineers 20 years ago we started to design and develop an innovative range of pneumatic products to satisfy the needs of operations critical for temperature, aggressive environments and classified areas.

Today at our headquarters located in Milan, Italy, we design, build and sell components and systems for the chemical, petrochemical, energy and glass sector, offering our range of pneumatic equipments for the most demanding applications. Our products are the standard for non-standard specifications of the most important companies in the instrumentation, analysis, safety systems, process valve control and process automation fields.

**Our range includes but is not limited to the following products :**

**SS316L or Aluminium alloy air/gas preparation**

**SS316L balanced spool directional valves**

**SS316L flow-meters**

**SS316L or aluminum alloy pneumatic pumps**

**SS316L or special alloy instrumentation accessories**

**Special or standard engineered systems**

**Sitecna is dedicated to developing unique and tailored products carefully listening to our customers and so improving efficiency and reliability of equipments and operations**



## Organization

Sitecna® 1000m<sup>2</sup> owned headquarter in Peschiera Borromeo (MI) Italy is the design, testing & stocking center for every product.

Our location very near to Linate airport and to main communication



ways, allows quick deliveries and quick shipments to domestic and international customers.

Our sales organization is helped by a capillary distribution network granting assistance in all the most important areas of the world.

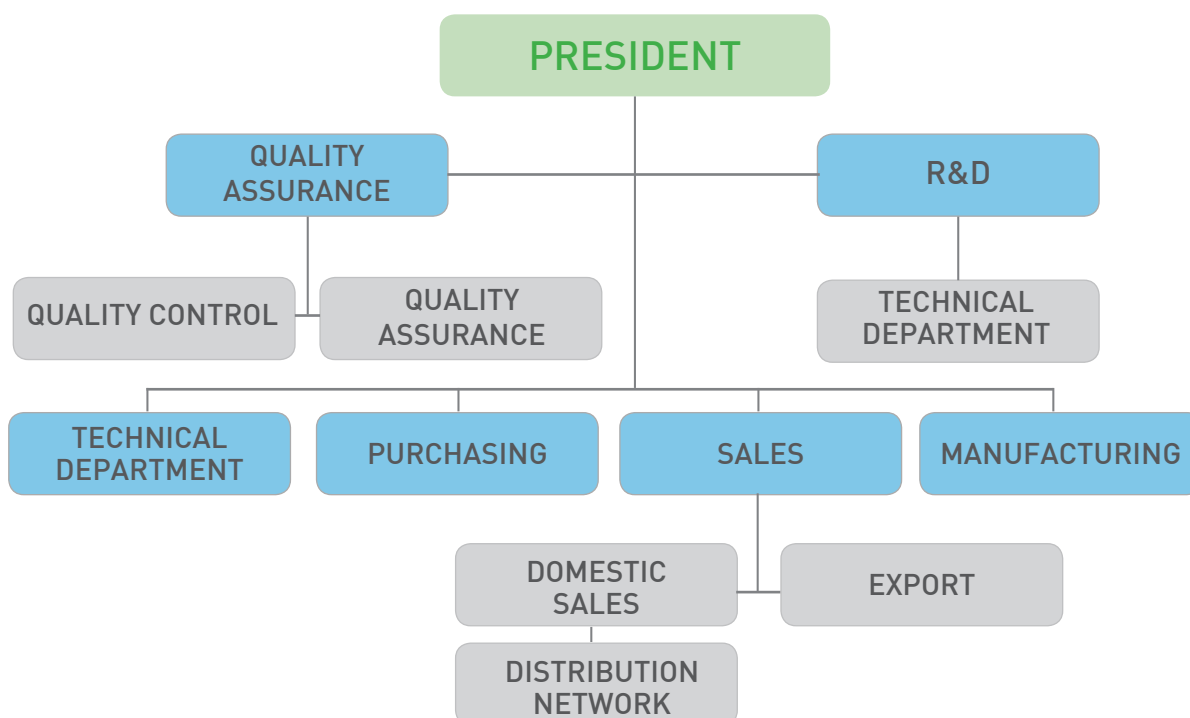
## Contacts

**General info :** [info@sitecna.eu](mailto:info@sitecna.eu)

**Sales info :** [mkt@sitecna.eu](mailto:mkt@sitecna.eu)

**Technical info :** [ufficio.tecnico@sitecna.eu](mailto:ufficio.tecnico@sitecna.eu)

**Account info :** [amministrazione@sitecna.eu](mailto:amministrazione@sitecna.eu)





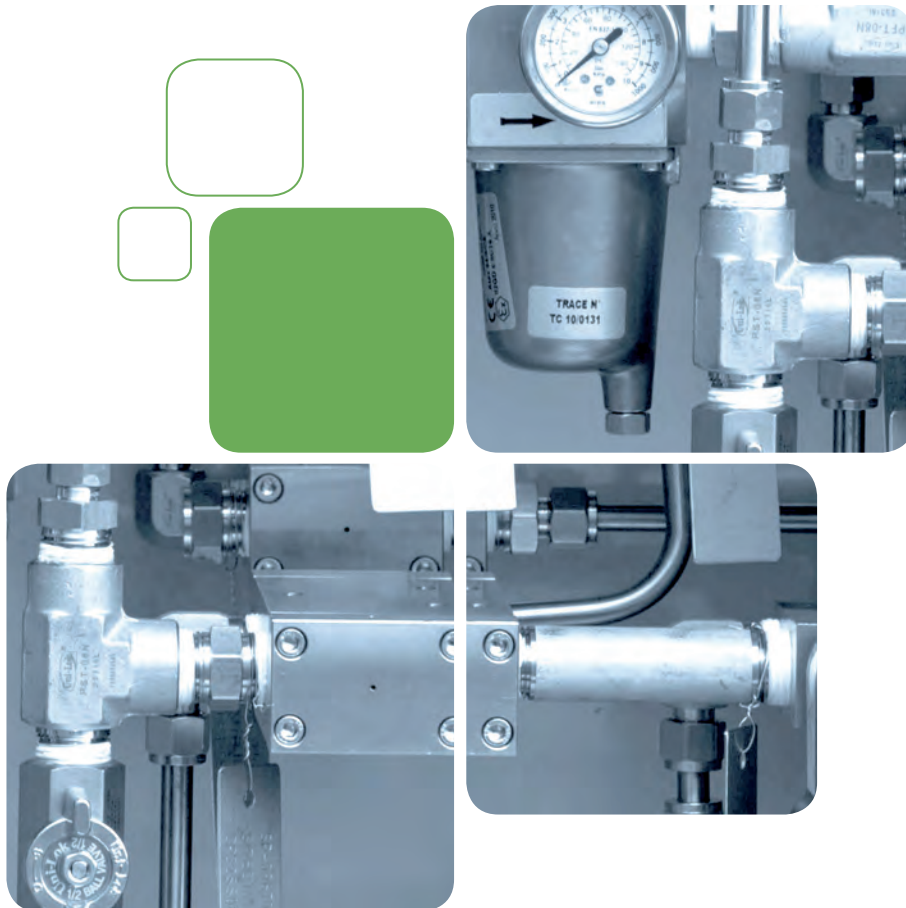
www.sitecna.eu

## Know How

Almost thirty years of experience in the design, manufacture and distribution of high quality products and solutions for the most demanding applications.

A wide products range and a high level experience to face all you critical fluid control needs.

Technical approach in developing and anticipating international standards make us your **Trusted Partner!**



## Customers & Applications

Sitecna has built its reputation for quality products among the largest industrial companies. End users, OEM, engineering companies are our typical customers.

Sitecna products are developed to satisfy the stringent needs of the oil, gas, petrochemical, refining, power, pharmaceutical and general process-instrumentation industries.

**Our products are used where corrosion resistance and extreme temperatures are critical factors.**





## Engineering capabilities

Our engineering team comes from years of experience in the design of technological solutions.

We can offer a very specific know how in the following sectors:

**Electro-pneumatic automation**

**Analysis**

**Fire & gas**

**Instrumentation**



# Health, Safety and Environment Policy - HSE

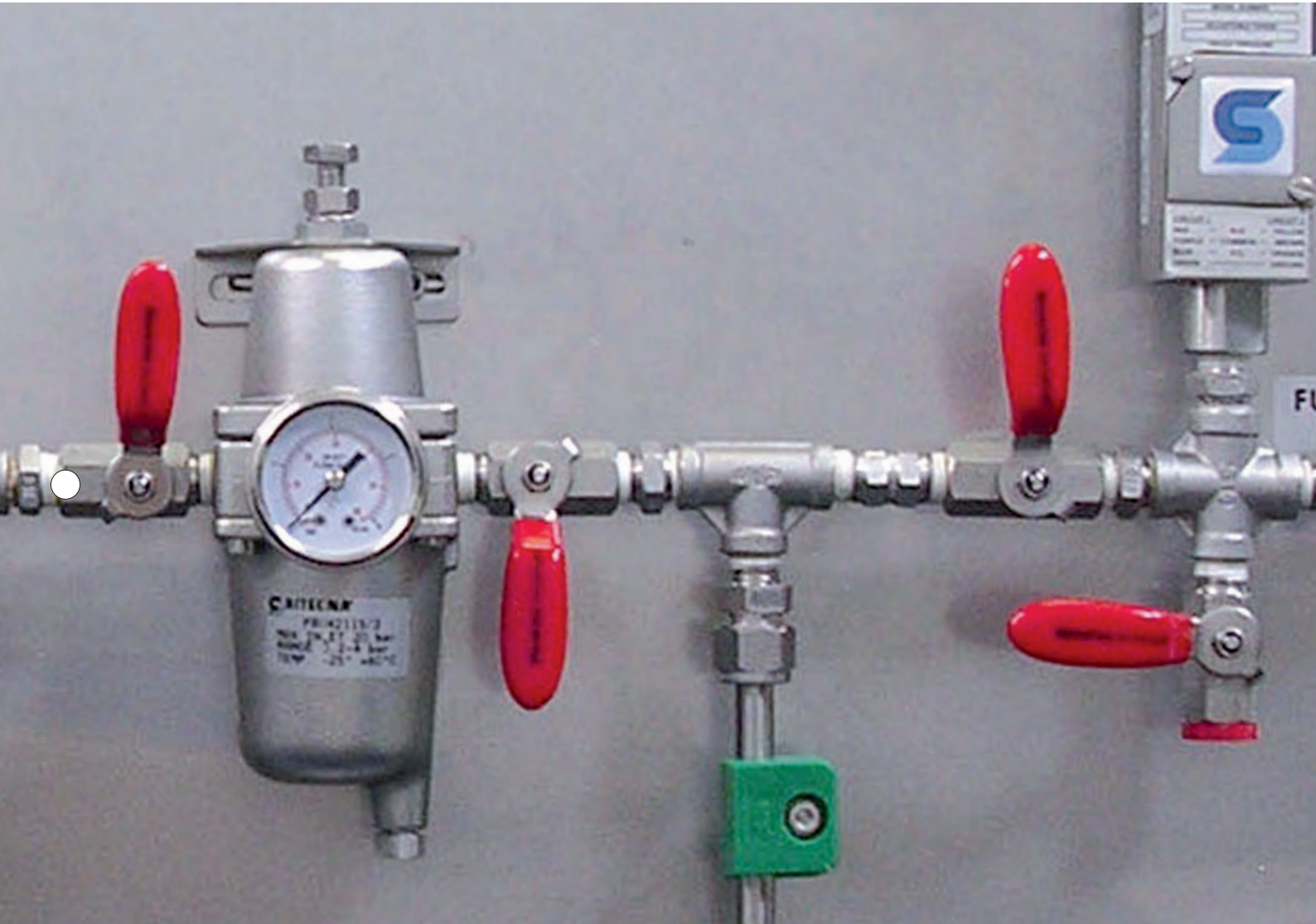
Sitecna® management is committed to providing a safe and healthful place of work throughout all of our facilities, offices and work sites and to make every effort towards eliminating any environmentally adverse effects of our operations.

We implements and continually improves an HSE management by:

- **providing adequate control of the health and safety risks arising from our work activities;**
- **providing and maintaining safe plant and equipments;**
- **ensuring safe handling and use of substances;**
- **providing information, instruction and supervision for employees;**
- **ensuring all employees are competent to do their tasks, and to give them adequate training;**
- **maintaining safe and healthy working conditions and reviewing and revising this policy as necessary at regular intervals.**

Our management is also committed to achieve improvements in the overall company environmental performance including prevention of pollution and conservation of natural resources.

**All our needed electric energy is generated by the photovoltaic plant on the roof of our structure.**



# PRODUCTS

## Section A – Air/gas Preparation Equipments Sezione A – Apparecchi per trattamento aria/gas

### A complete range of components for air-gas preparation designed to be used in the harshest environments

- Pressure regulators, Filter regulators, Filters, Back pressure regulators, Relays, Volume Boosters
- Standard Sizes 1/4", 3/8", 1/2", 3/4", 1"
- Copper free aluminum alloy or Stainless steel 316 complete construction (internals & externals)
- Standard seals & diaphragm available in NBR, EPDM, FVQM, FKM, Special compounds
- Standard filtering elements available coalescing type or 5, 25 and 40 micron in SS316
- Temperature range from -55°C to 140°C
- Manual o automatic condensate drain
- Relieving or Non relieving versions
- Max inlet pressure to 30bar
- Full material traceability
- EN10204 3,1, ATEX and EAC certified range
- 100% Italian production
- 24 hours shipment service available



### Una gamma di componenti per il trattamento di aria e gas progettata per l'utilizzo negli ambienti più insospitati

- Regolatori di pressione, Filtri regolatori, Filtri, Regolatori di back pressure, Relays pneumatici
- Connessioni std da 1/4", 3/8", 1/2", 3/4", 1"
- Costruzione completamente in alluminio esente rame o AISI316L
- Tenute e diaframmi std in NBR, EPDM, FKM, mescole speciali
- Elementi filtranti a coalescenza od in SS316 da 5, 25 o 40 micron
- Temperature da -55°C a +140°C
- Scarichi condensa manuali od automatici
- Pressioni di alimentazione fino a 30BAR
- Completa rintracciabilità di tutti i componenti
- Certificati EN10204 3,1, ATEX, EAC
- Produzione 100% italiana
- Spedizioni in 24 ore

## Ordering information

Informazioni per l'ordine



---

## Copper free aluminum alloy filters

Filtri in lega di alluminio esente rame

1/4", 3/8", 1/2", 3/4", 1", 1 1/2", 2"  
coalescing, 5 micron, 25 micron, 40 micron



---

## Copper free aluminum alloy pressure regulators

Regolatori di pressione in lega di alluminio esente rame

1/4", 3/8", 1/2", 3/4", 1"



---

## Copper free aluminum alloy filter regulators

Regolatori di pressione in lega di alluminio esente rame

1/4", 3/8", 1/2", 3/4", 1"



---

## Stainless steel 316L Tee filters

Filtri a T in AISI316L

1/4"



www.sitecna.eu

**Stainless steel 316L pneumatic filters**

Filtri per pneumatica in AISI316L

1/4", 3/8", 1/2", 3/4", 1", 1 1/2", 2"



**Stainless steel 316L pressure regulators**

Regolatori di pressione in AISI316L

1/4", 3/8", 1/2", 3/4", 1"



**Stainless steel 316L filter regulators**

Filtri regolatori di pressione in AISI316L

1/4", 3/8", 1/2", 3/4", 1"



**Stainless steel 316L back-pressure regulators**

Regolatori di back-pressure in AISI316L

1/4"



**Stainless steel 316L 2&3 way pneumatic relays**

Relays pneumatico a due e tre vie in AISI316L

1/4"



BT-PIAP/C14B

## Ordering information VB serie

Informazioni per l'ordine serie VB



---

### Aluminium Alloy Volume Booster

Amplificatore di flusso in lega di alluminio

**1/4", 1/2", 3/4", 1"**

**Free exhaust, threaded exhaust port**



---

### SS316L Volume Booster

Amplificatore di flusso in AISI316L

**1/4", 1/2", 3/4", 1"**

**Free exhaust, threaded exhaust port**



# Ordering information

## Come ordinare

TYPE	SIZE	RANGE	ACCESSORIES
F= Filter FR= Filter Regulator R= Regulator TF= Tee Filter* BP= Back Pressure* SV= Switch Valve 2/2* S3= Switch Valve 3/2* * (only 1/4"NPT)	04= 1/4" NPT* 06= 3/8" NPT 08= 1/2" NPT 12= 3/4" NPT 16= 1" NPT 20= 1" 1/4"NPT 24= 1" 1/2"NPT 32= 2"NPT	0= None 1= 0.2-2 bar 2= 0.2-4 bar 3= 0.4-8 bar 4= 0.4-10 bar 6= 4-25 bar 7= 4-35 bar	0= None 2= SS bracket kit 3= Panel nut&handwheel 4= Customised Tag 8= CS bracket kit X= Special

FR 06 3 1 1S 5 6 SS FK 2 #

### FILTER ELEMENT

- 0= None
- 1= 5 micron
- 2= 25 micron
- 3= 40 micron
- 4= coalescing

### DIAPHRAGM & SEALS MATERIAL

- FK= FKM ( WT-25° +90°C )
- NB= NBR ( WT-20° +80°C )
- LT= EPDM ( WT-40° +80°C )
- FL= Special compound (WT-55°+90°C)

### PRESSURE GAUGE

- 0= None
- 1S= all AISI316 (SS 304 case)
- 1B= AISI304 case (brass connection)
- 1C= CS painted case (brass connection)
- 1X= all AISI316 (AISI316Ti case)

### OPTION

- 00= None
- 05= No relieving
- 06= 1/4" gauge port
- 07= Automatic drain
- 56= No relieving 1/4" gauge port
- 57= No relieving Automatic drain
- 67= 1/4" gauge port Automatic drain
- X= Special

### MATERIAL

- SS= 316-316L Stainless steel
- AL= Copper free aluminum alloy
- SP= Special

### CODE EXAMPLES

FR 06 3 3 1S 0 7 SS FK 2

**3/8"NPT, SS316, 0 to 8 bar range, filter regulator, with 40 micron filtering element, relieving, SS pressure gauge, automatic drain, ss bracket kit and FKM diaphragm & seals**  
 Filtro regolatore da 3/8"NPT in AISI316, range regolato 0/8 bar, elemento filtrante da 40 micron, manometro tutto inox, relieving, scarico condensa automatico, staffa inox, diaframma e tenute in FKM

FR 06 3 1 00 0 0 SS FK 0

**3/8"NPT, SS316, 0 to 8 bar range, filter regulator, with 5 micron filtering element, relieving and FKM diaphragm & seals**  
 Filtro regolatore da 3/8"NPT in AISI316, range regolato 0/8 bar, elemento filtrante da 5 micron, relieving, diaframma e tenute in FKM





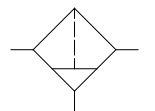


www.sitecna.eu

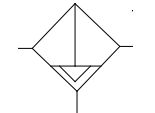
## Aluminum Alloy 1/4" - 3/8" - 1/2" NPT Filter- F serei

Filtro da 1/4" - 3/8" - 1/2"NPT in lega di alluminio – serie F

- Suitable to automation equipment, to onshore, offshore, pharmaceutical, medical and food applications
- Full material traceability
- High flow capacity
- ATEX 94/9/CE II2GD c IICT6 X
- approved
- Adatto per automazione in applicazioni marine, petrolchimiche, farmaceutiche, medicali e alimentari.
- Completa rintracciabilità dei materiali
- Elevate portate
- ATEX 94/9/CE II2GD c IICT6 X
- Approvato



Manual Drain



Automatic Drain

<b>Media / Fluido</b>	<b>Compressed air, inert gases, sweet and sour gases</b>
<b>Port thread / Connessioni</b>	<b>1/4"-3/8"-1/2" NPT</b>
<b>Gauge Connection</b> Connessione manometro	<b>1/8"NPT (1/4"NPT option)</b>
<b>Filtering element</b> Elemento filtrante	<b>Coalescing or 5, 25, 40 micron in st. st. 316</b>
<b>Max inlet pressure</b> Pressione massima di ingresso	<b>25bar</b>
<b>Drain valve / Scarico condensa</b>	<b>manual or automatic</b>
<b>Flow Rate (at 6 bar Inlet pressure, delta P=0.5bar) / Portata</b>	<b>1000dm<sup>3</sup>/min (1/4" Cv=1); 4815dm<sup>3</sup>/min (1/2 Cv=4,8)</b>
<b>Working Temperature</b> Temperatura di esercizio	<b>-20°C up to 80°C (NBR); -25°C up to 90°C (FKM); -40°C up to 80°C (EPDM) *</b>

Air supply must be dry enough to avoid ice formation at temperatures below +2°C (+35°F).

\*Special version available for -55°C up to 90°C

It provides excellent filtration for a wide range of applications. Rugged and corrosion-resistant – made of die cast copper free aluminium alloy and AISI304/316 stainless steel. Compact small package size / Permette una filtrazione accurata per una vasta gamma di applicazioni. Robusto e resistente alla corrosione – Costruito in lega di alluminio esente rame tropicalizzata e SS304/316. Dimensioni di ingombro ridotte

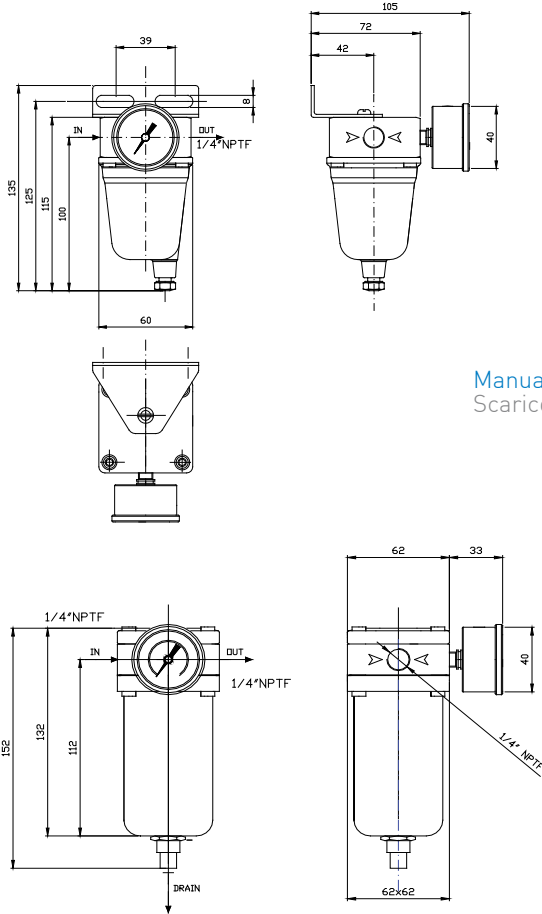
<b>BUILDING MATERIALS</b>	Materiali costruttivi
<b>Body, bonnet, bowl in tropicalized aluminum alloy, internals, in stainless steel</b>	Corpo, coperchio, tazza in lega di alluminio tropicalizzata, particolari interni in acciaio inossidabile
<b>Bracket, lock and panel nuts, fixing screws in stainless steel or galvanized steel</b>	Staffa, dadi di bloccaggio e pannello, viti di fissaggio in acciaio inossidabile od acciaio galvanizzato
<b>Seals in elastomer</b>	Tenute in elastomero
<b>5, 25&amp;40micron filtering element in AISI316 stainless steel</b>	Elemento filtrante da 5, 25 e 40 micron in acciaio inossidabile AISI316
<b>Coalescing filtering element in bonded micro-fibre</b>	Elemento filtrante a coalescenza in microfibra

BT-FAL/C14A

## Overall dimension

Dimensioni di ingombro

### F04 serie

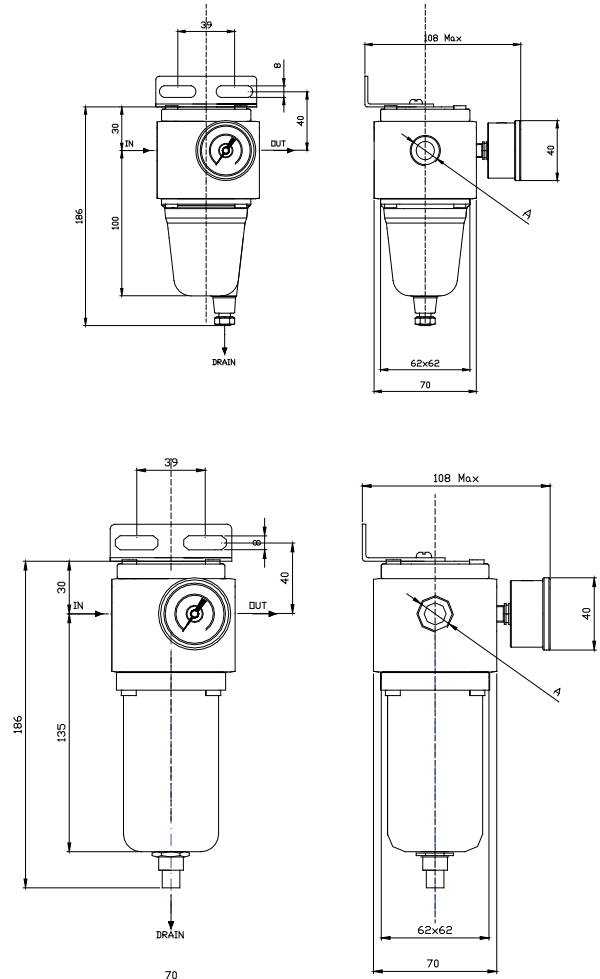


Manual drain  
Scarico manuale

Automatic drain  
Scarico automatico

F04 A = 1/4"

### F06, F08 serie



F06 A = 3/8"

F08 A = 1/2"

### Max inlet pressure for automatic drain 16bar

Massima pressione di ingresso con scarico automatico 16bar

### Accessories and repair kit

Accessori e ricambi

Maintenance kit / Kit manutenzione	Items F -04-K-XAL-** [1/4"] F -08-K-XSAL-** [1/8"]
Pressure gauge DN40mm, all AL Bar+psi+kpa range / Manometro DN40mm, tutto inox, scala Bar+psi+kpa	0-2bar MBSSP4S2PN3S 0-4bar MBSSP4S2PN05 0-10bar MBSSP4S2PN07
Bracket and lock nut / Staffa e Dado	SQ-FR04/S

\*\* Refers to seals type:

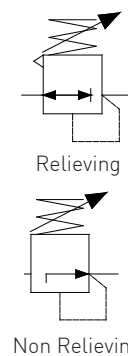
FK→FKM NB→NBR LT→EPDM FL→Low temperature compound

www.sitecna.eu

## Aluminum Alloy 1/4" NPT Pressure Regulator- R Serie

Regolatore di pressione da 1/4" NPT in lega di alluminio - serie R

- Suitable for automation equipment to onshore, offshore, pharmaceutical, medical and food applications
- Full material traceability
- Excellent stability and repeatability
- Accurate adjustment and high flow capacity
- ATEX 94/9/CE GD c IICT6 X
- approved
- Adatto per automazione in applicazioni marine, petrolchimiche, farmaceutiche, medicali e alimentari
- Completa rintracciabilità dei materiali
- Eccellente stabilità e ripetibilità
- Precise regolazioni ed elevate portate
- ATEX 94/9/CE II2GD c IICT6 X
- Approvato



<b>Media / Fluido</b>	<b>Compressed air, inert gases, sweet and sour gases</b>
<b>Port thread / Connessioni</b>	<b>1/4" NPT</b>
<b>Gauge Connection</b> Connessione manometro	<b>1/8" NPT (1/4" NPT option)</b>
<b>Max inlet pressure</b> Pressione massima di ingresso	<b>25bar</b>
<b>Relieving / Scarico sovrappressioni</b>	<b>standard</b>
<b>Flow Rate (@10 bar inlet P, 6bar regulated P, delta P=1bar) / Portata</b>	<b>940dm<sup>3</sup>/min Cv=0.9</b>
<b>Working Temperature</b> Temperatura di esercizio	<b>-20°C up to 80°C (NBR); -25°C up to 90°C (FKM); -40°C up to 80°C (EPDM) *</b>
<b>Regulated pressure</b> Pressioni regolate	<b>0/2, 0/4, 0/8, 0/10bar</b>

Air supply must be dry enough to avoid ice formation at temperatures below +2°C (+35°F).

**\*Special version available for -55°C up to 90°C**

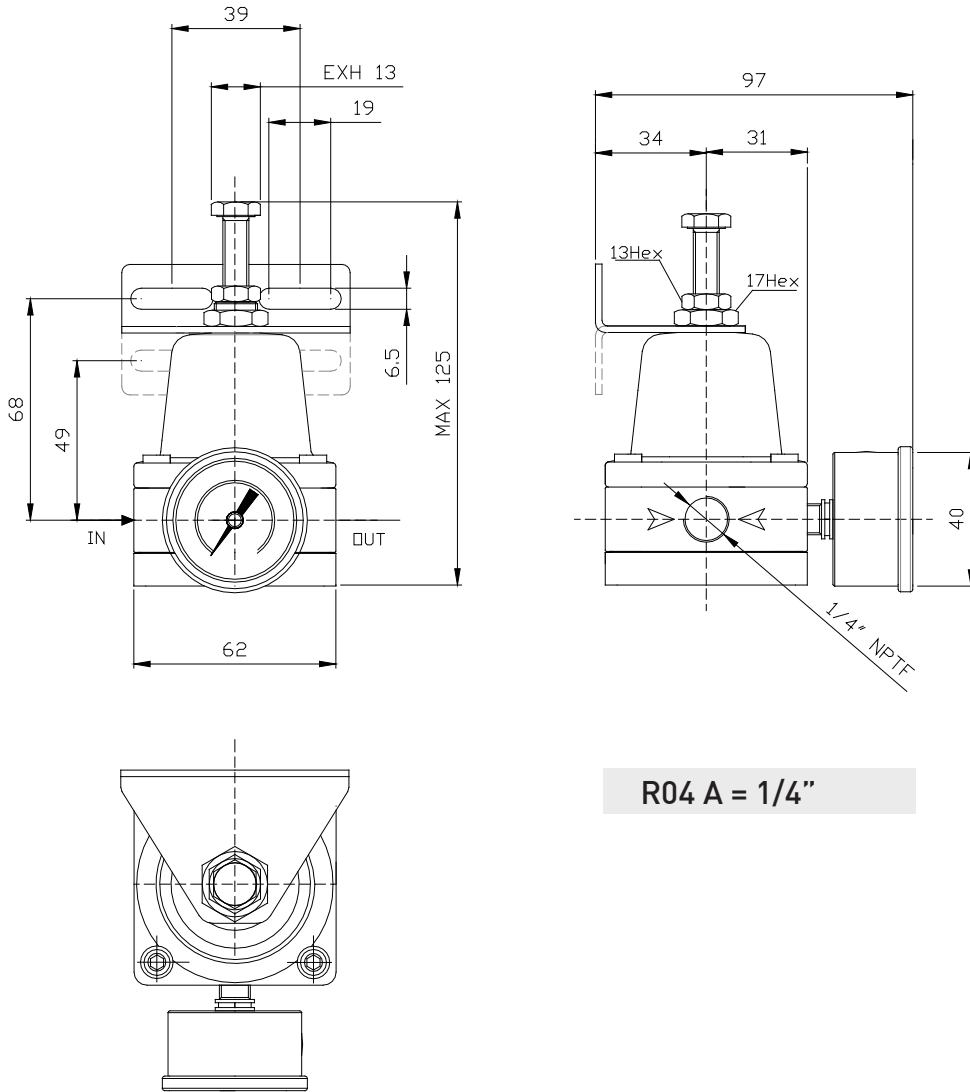
**It provides excellent regulation for a wide range of applications. Rugged and corrosion-resistant – made of aluminum alloy and SS AISI304/316. Compact small package size /** Permette una regolazione accurata per una vasta gamma di applicazioni. Robusto e resistente alla corrosione – Costruito lega di alluminio ed AISI304/316 - Dimensioni di ingombro ridotte

<b>BUILDING MATERIALS</b>	<b>Materiali costruttivi</b>
<b>Body, bonnet, bowl in tropicalized aluminum alloy, internals in stainless steel</b>	Corpo, coperchio, piastra inferiore in lega di alluminio tropicalizzata, particolari interni in acciaio inossidabile
<b>Adjustment screw, bracket, lock and panel nuts, fixing screws in AISI316 stainless steel or galvanized steel</b>	Vite di regolazione, staffa, dadi di bloccaggio e pannello, viti di fissaggio in acciaio inossidabile AISI316 od acciaio galvanizzato
<b>Diaphragm and valve assembly in elastomer and AISI316 stainless steel</b>	Diaframma ed assieme valvola in elastomero ed acciaio inossidabile AISI316
<b>Valve spring, adjustment spring in AISI316 stainless steel</b>	Molla valvola e di regolazione in acciaio inossidabile AISI316
<b>Elastomeric seals</b>	Guarnizioni elastomeriche

BT-R4AL/C14A

## Overall dimension

Dimensioni di ingombro



R04 A = 1/4"

## Accessories and repair kit

Accessori e ricambi

Maintenance kit / Kit manutenzione	Items R-04-K-XAL-** [1/4"]
Pressure gauge DN40mm, SS case, Bar+psi+kpa range / Manometro DN40mm, cassa inox, scala Bar+psi+kpa	0-2bar MBSNP4S2PN3S 0-4bar MBSNP4S2PN05 0-10bar MBSNP4S2PN07
Bracket and lock nut / Staffa e Dado	SQ-FR04

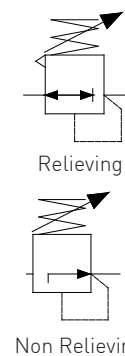
\*\* Refers to seals type:

FK→FKM NB→NBR LT→EPDM FL→Low temperature Compound

## Aluminium Alloy 3/8"-1/2"NPT Pressure Regulator – R serie

Regolatore di pressione da 3/8" e 1/2"NPT in lega di alluminio – serie R

- Suitable for automation equipment to onshore, offshore, pharmaceutical, medical and food applications
- Full material traceability
- Excellent stability and repeatability
- Accurate adjustment and high flow capacity
- ATEX 94/9/CE II2GD c IICT6 X
- approved
- Adatto per automazione in applicazioni marine, petrolchimiche, farmaceutiche, medicali e alimentari
- Completa rintracciabilità dei materiali
- Eccellente stabilità e ripetibilità
- Precise regolazioni ed elevate portate
- ATEX 94/9/CE II2GD c IICT6 X
- Approvato



<b>Media / Fluido</b>	<b>Compressed air, inert gases, sweet and sour gases</b>
<b>Port thread / Connessioni</b>	<b>3/8" - 1/2" NPT</b>
<b>Gauge Connection</b> Connessione manometro	<b>1/8" NPT (1/4" NPT option)</b>
<b>Max inlet pressure</b> Pressione massima di ingresso	<b>25bar</b>
<b>Relieving / Scarico sovrappressioni</b>	<b>standard</b>
<b>Flow Rate (@10 bar inlet P, 6bar regulated P, delta P=1bar) / Portata</b>	<b>4500dm<sup>3</sup>/min Cv=4.5</b>
<b>Working Temperature</b> Temperatura di esercizio	<b>-20°C up to 80°C (NBR); -25°C up to 90°C (FKM); -40°C up to 80°C (EPDM) *</b>
<b>Regulated pressure</b> Pressioni regolate	<b>0/2, 0/4, 0/8, 0/10bar</b>

Air supply must be dry enough to avoid ice formation at temperatures below +2°C (+35°F).

**\*Special version available for -55°C up to 90°C**

**It provides excellent regulation for a wide range of applications. Rugged and corrosion-resistant – made of aluminum alloy and SS AISI304/316. Compact small package size – light weight /** Permette una regolazione accurata per una vasta gamma di applicazioni. Robusto e resistente alla corrosione – Costruito lega di alluminio ed AISI304/316 - Dimensioni di ingombro ridotte

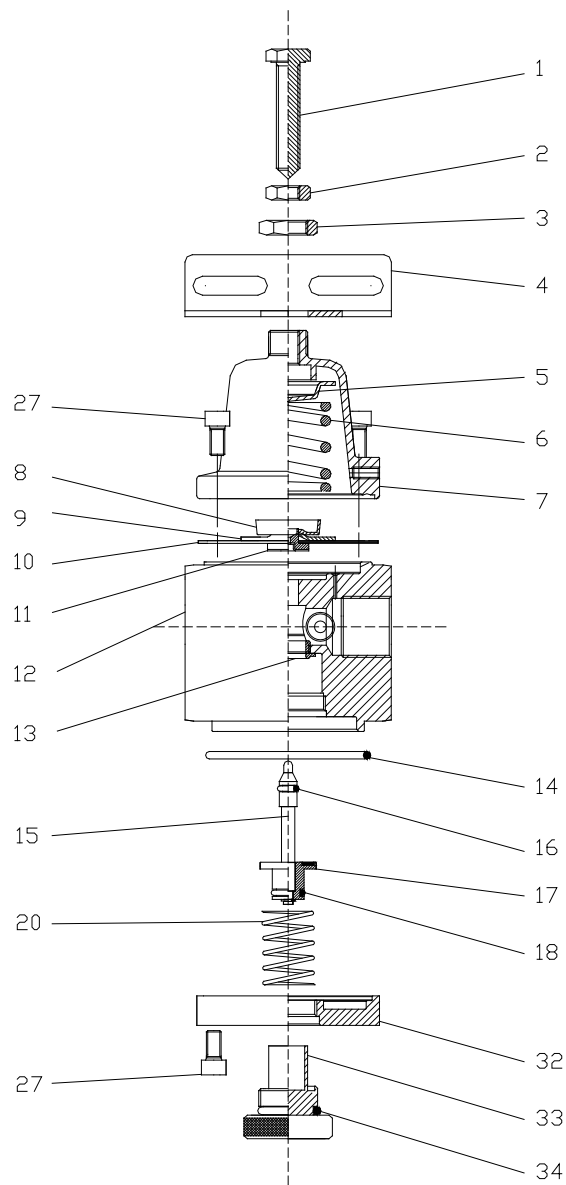
BUILDING MATERIALS	Materiali costruttivi
<b>Body, bonnet, bowl in tropicalized aluminum alloy, internals in stainless steel</b>	Corpo, coperchio, piastra inferiore in lega di alluminio tropicalizzata, particolari interni in acciaio inossidabile
<b>Adjustment screw, bracket, lock and panel nuts, fixing screws in AISI316 stainless steel or galvanized steel</b>	Vite di regolazione, staffa, dadi di bloccaggio e pannello, viti di fissaggio in acciaio inossidabile AISI316 od acciaio galvanizzato
<b>Diaphragm and valve assembly in elastomer and AISI316 stainless steel</b>	Assieme diaframma ed assieme valvola in elastomero ed acciaio inossidabile AISI316
<b>Valve spring, adjustment spring in AISI316 stainless steel or galvanized steel</b>	Molle valvola e di regolazione in acciaio inossidabile AISI316 od acciaio galvanizzato

## Item description

Descrizione item

### Pos. Description - Descrizione

1. Adjusting screw / Vite di regolazione
2. Lock nut / Dado bloccaggio vite
3. Panel nut / Dado staffa
4. Bracket / Staffa
5. Upper spring rest / Sede superiore molla
6. Spring / Molla di regolazione
7. Bonnet / Coperchio
8. Lower spring guide / Guida molla inferiore
9. Lower spring rest / Sede inferiore molla
10. Diaphragm / Diaframma
11. Valve seat / Sede valvola
12. Body / Corpo
13. Valve seat / Sede valvola
14. O'ring (Bowl) / O'ring tazza
15. Valve stem / Stelo valvola
16. O'ring (valve stem) / O'ring stelo valvola
17. Valve / Corpo valvola
18. O'ring (valve body) / O'ring corpo valvola
20. Spring valve / Molla valvola
27. Bowl screw (M5x8) / Piastra inferiore
32. End plate / Piastra inferiore
33. Valve seat / Sede valvola
34. Valve seat O'ring / O'ring sede inferiore valvola



## Accessories and repair kit

Accessori e ricambi

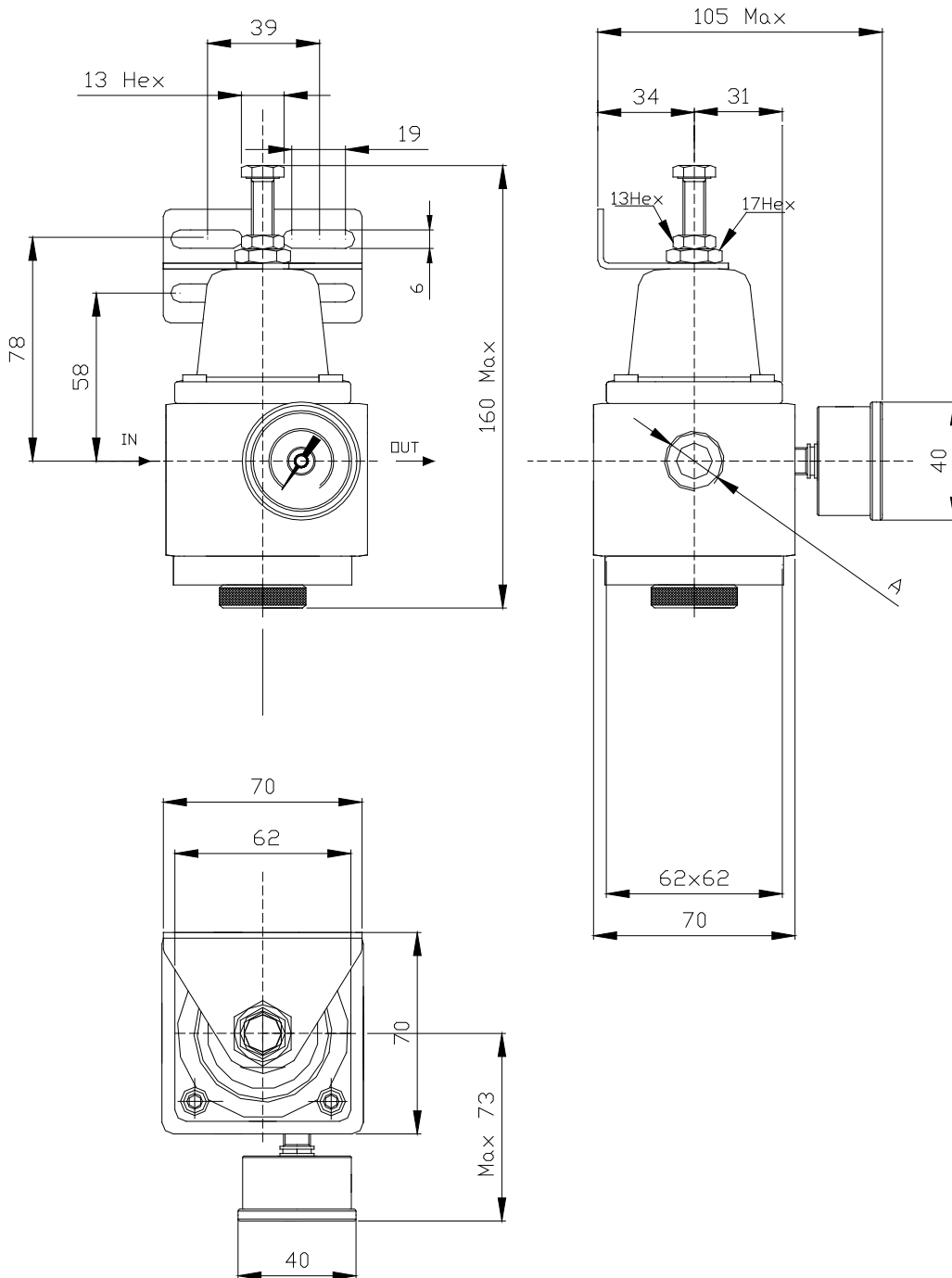
Maintenance kit / Kit manutenzione	Items R-06-K-XAL-** [3/8" - 1/2"]
Pressure gauge DN40mm, SS case, Bar+psi+kpa range / Manometro DN40mm, cassa inox, scala Bar+psi+kpa	0-2bar MBSNP4S2PN3S 0-4bar MBSNP4S2PN05 0-10bar MBSNP4S2PN07
Bracket and lock nut / Staffa e Dado	SQ-FR04

\*\* Refers to seals type:

FK→FKM NB→NBR LT→EPDM FL→Low temperature compound

**Overall dimension**

Dimensioni di ingombro



R06 A = 3/8"



R08 A = 1/2"


BT-R8AL/C11C

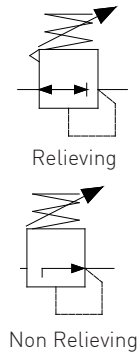


## Aluminum alloy 3/4"-1"NPT Pressure Regulator – R serie

Regolatore di pressione da 3/4"- 1"NPT in lega di alluminio – serie R

- Suitable for automation equipment to onshore, offshore, pharmaceutical, medical and food applications
- Full material traceability
- Excellent stability and repeatability
- Accurate adjustment and high flow capacity
- ATEX 94/9/CE  II2GD c IICT6 X
-  approved

- Adatto per automazione in applicazioni marine, petrolchimiche, farmaceutiche, medicali e alimentari
- Completa rintracciabilità dei materiali
- Eccellente stabilità e ripetibilità
- Precise regolazioni ed elevate portate
- ATEX 94/9/CE  II2GD c IICT6 X
- Approvato 



Media / Fluido	Compressed air, inert gases, sweet and sour gases
Port thread / Connessioni	3/4"-1" NPT
Gauge Connection Connessione manometro	1/4"NPT (1/8"NPT option)
Max inlet pressure / Pressione massima di ingresso	25bar
Relieving/ Scarico sovrappressioni	Standard
Flow rate (@10bar inlet P, 6bar regulated P, delta P=1bar) / Portata	11500dm <sup>3</sup> /min Cv=11.5
Working temperature / Temperatura di esercizio	-20°C up to 80°C (NBR); -25°C up to 90°C (FKM); -40°C up to 80°C (EPDM) *
Regulated pressure Pressioni regolate	0/2, 0/4, 0/8, 0/10bar

Air supply must be dry enough to avoid ice formation at temperatures below +2°C (+35°F).

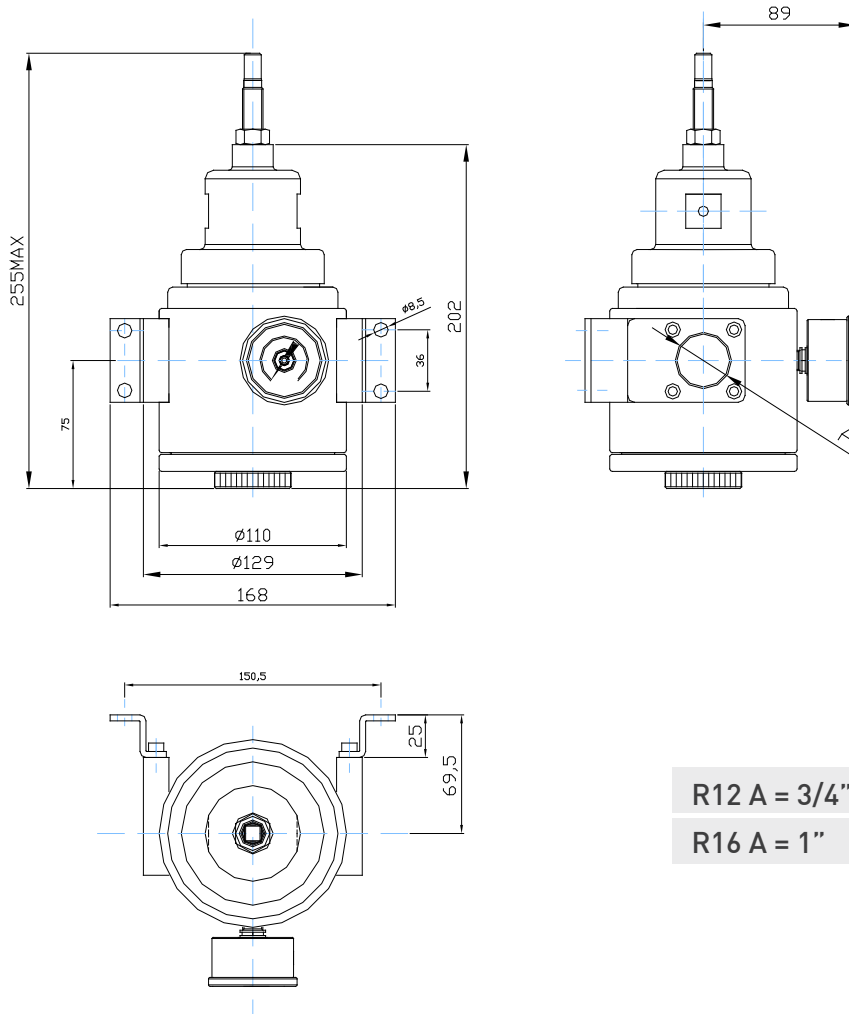
\*Special version available for -55°C up to 90°C

**It provides excellent regulation and for a wide range of applications. Rugged and corrosion-resistant – made of aluminum alloy and SS AISI304/316 /** Permette un'accurata regolazione per una vasta gamma di applicazioni. Robusto e resistente alla corrosione – Costruito lega di alluminio ed AISI316

BUILDING MATERIALS	Materiali costruttivi
Body, bonnet, bowl in tropicalized aluminum alloy, internals in stainless steel	Corpo, coperchio, piastra inferiore in lega di alluminio tropicalizzata, particolari interni in acciaio inossidabile
Adjustment screw, lock and panel nuts, fixing screws AISI316 stainless steel or galvanized steel	Vite di regolazione, dadi di bloccaggio e pannello, viti di fissaggio in acciaio inossidabile od acciaio galvanizzato
Diaphragm and valve assembly in elastomer and AISI316 stainless steel	Assieme diaframma ed assieme valvola in elastomero ed acciaio inossidabile AISI316
Valve spring & adjustment spring AISI316 stainless steel	Molle valvola e di regolazione in acciaio inossidabile AISI316
Seals in elastomer	Guarnizioni in elastomero

### Overall dimension

Dimensioni di ingombro



R12 A = 3/4"  
R16 A = 1"

### Accessories and repair kit





Accessori e ricambi

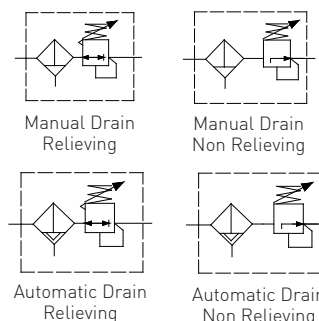
Maintenance kit / Kit manutenzione	Items R-16-K-XAL-** [3/4"; 1"]
Pressure gauge DN40mm, SS case, Bar+psi+kpa range / Manometro DN40mm, cassa inox, scala Bar+psi+kpa	0-2bar MBSNP4S2PN3S 0-4bar MBSNP4S2PN05 0-10bar MBSNP4S2PN07
Bracket and screws / Staffa e Viti	SQ-FR16

\*\* Refers to seals type:  
FK→FKM NB→NBR LT→EPDM FL→Low temperature compound

## Aluminum alloy 1/4" NPT Filter Regulator – FR serie

Filtro Regolatore da 1/4" NPT in lega di alluminio – serie FR

- Suitable for automation equipment to onshore, offshore, pharmaceutical, medical and food applications
- Full material traceability
- Excellent stability and repeatability
- Accurate adjustment and high flow capacity
- ATEX 94/9/CE  I2GD c IICT6 X
-  approved
- Adatto per automazione in applicazioni marine, petrolchimiche, farmaceutiche, medicali e alimentari
- Completa rintracciabilità dei materiali
- Eccellente stabilità e ripetibilità
- Precise regolazioni ed elevate portate
- ATEX 94/9/CE  2GD c IICT6 X
- Approvato 



<b>Media / Fluido</b>	<b>Compressed air, inert gases, sweet and sour gases</b>
<b>Port thread / Conessioni</b>	<b>1/4" NPT</b>
<b>Gauge Connection</b> Connessione manometro	<b>1/8" NPT (1/4" NPT option)</b>
<b>Max inlet pressure</b> Pressione massima di ingresso	<b>25bar</b>
<b>Filtering element</b> Elemento filtrante	<b>5 micron in ss316 std (25 &amp; 40 micron in st. st. 316 available)</b>
<b>Drain valve / Scarico condensa</b>	<b>Manual or automatic</b>
<b>Flow Rate (@10 bar inlet P, 6bar regulated P, delta P=1bar) / Portata</b>	<b>940dm<sup>3</sup>/min Cv=0.9</b>
<b>Working Temperature</b> Temperatura di esercizio	<b>-20°C up to 80°C (NBR); -25°C up to 90°C (FKM); -40°C up to 80°C (EPDM) *</b>
<b>Regulated pressure</b> Pressioni regolate	<b>0/2, 0/4, 0/8, 0/10bar</b>

Air supply must be dry enough to avoid ice formation at temperatures below +2°C (+35°F).

**\*Special version available for -55°C up to 90°C**

It provides excellent regulation and filtering for a wide range of applications. Rugged and corrosion-resistant – made of aluminum alloy and SS AISI304/316. Compact small package size / Permette un'accurata regolazione e filtraggio per una vasta gamma di applicazioni. Robusto e resistente alla corrosione – Costruito lega di alluminio ed AISI316 - Dimensioni di ingombro ridotte

BUILDING MATERIALS	Materiali costruttivi
Body, bonnet, bowl in tropicalized copper free aluminum alloy, internals in stainless steel AISI304/316	Corpo, coperchio, tazza in lega di alluminio esente rame tropicalizzata, particolari interni in AISI304/316
Bracket, lock and panel nuts, fixing screws in AISI316 stainless steel or galvanized steel	Vite di regolazione, staffa, dadi di bloccaggio e pannello, viti di fissaggio in acciaio inossidabile AISI316 od acciaio galvanizzato
Diaphragm and valve assembly in elastomer and AISI316 stainless steel	Assieme diaframma ed assieme valvola in elastomero ed acciaio inossidabile AISI316
5, 25&40micron filtering element in sinterized AISI316 ss; Coalescing filtering element in bonded micro-fibre	Elementi filtranti da 5, 25 e 40micron in AISI316 sinterizzato; elemento filtrante a coalescenza in micro-fibra
Valve spring, adjustment spring in AISI316SS or galvanized steel	Molle valvola e di regolazione in AISI316 od acciaio galvanizzato
Elastomeric seals	Guarnizioni elastomeriche

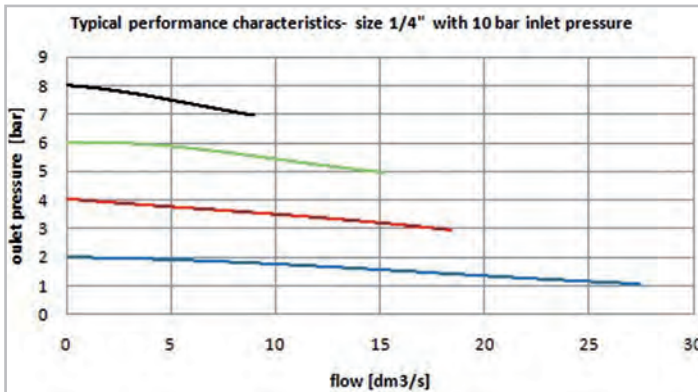
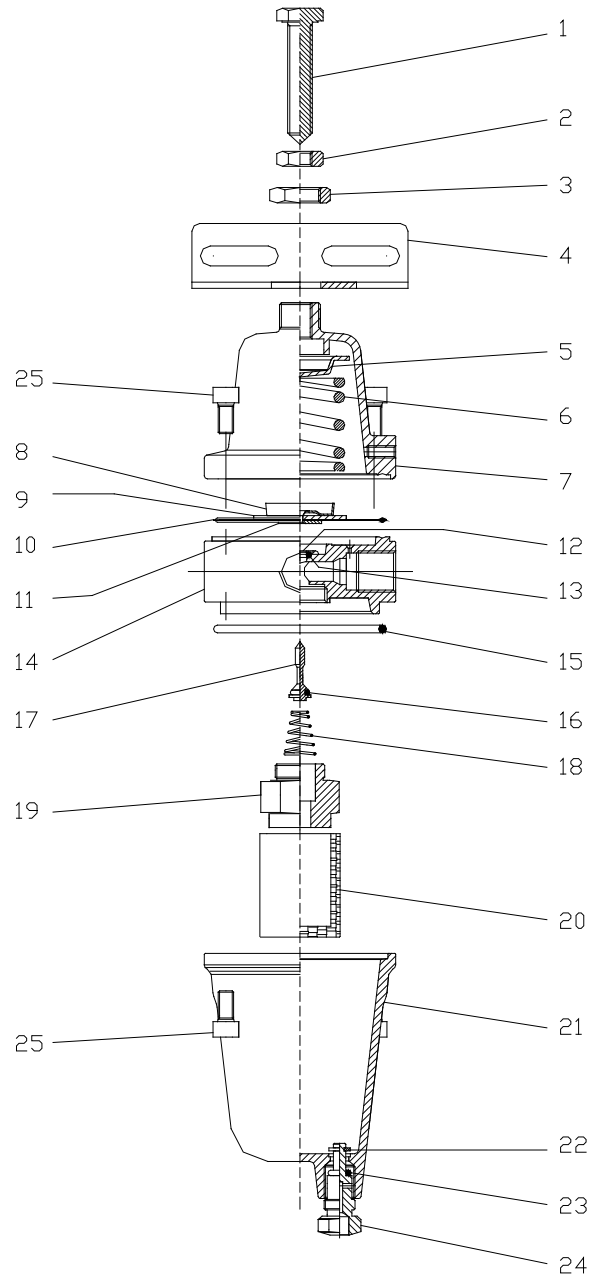
www.sitecna.eu

### Item description

Descrizione item

#### Pos. Description - Descrizione

1. Adjusting screw / Vite di regolazione
2. Lock nut / Dado bloccaggio vite
3. Panel nut / Dado staffa
4. Bracket / Staffa
5. Upper spring rest / Sede superiore molla
6. Spring / Molla di regolazione
7. Bonnet / Coperchio
8. Lower spring guide / Guida molla inferiore
9. Lower spring rest / Sede inferiore molla
10. Diaphragm / Diaframma
11. Valve seat / Sede valvola
12. Ring / Arresto
13. O'ring valve steam / O'ring guida valvola
14. Body Corpo
15. O'ring (bowl) / O'ring tazza
16. O'ring (valve) / O'ring valvola
17. Valve / Corpo valvola
18. Spring valve / Molla valvola
19. Filter element support / Supporto elemento filtrante
20. Element / Elemento filtrante
21. Bowl / Tazza
22. Ring / Anello benzin
23. O'ring (drain) / O'ring rubinetto
24. Manual drain / Rubinetto di scarico
- 25 Screw (M5x8) Vite di fissaggio M5x8



### Accessories and repair kit

Accessori e ricambi

Maintenance kit / Kit manutenzione [1/4"]	Items FR-04-K-XAL-**
Pressure gauge DN40mm, SS case, Bar+psi+kpa range / Manometro DN40mm, cassa inox, scala Bar+psi+kpa	0-2bar MBSNP4S2PN3S 0-4bar MBSNP4S2PN05 0-10bar MBSNP4S2PN07
Bracket and lock nut / Staffa e Dado	SQ-FR04

\*\* Refers to seals type:

FK→FKM NB→NBR LT→EPDM FL→Low temperature compound

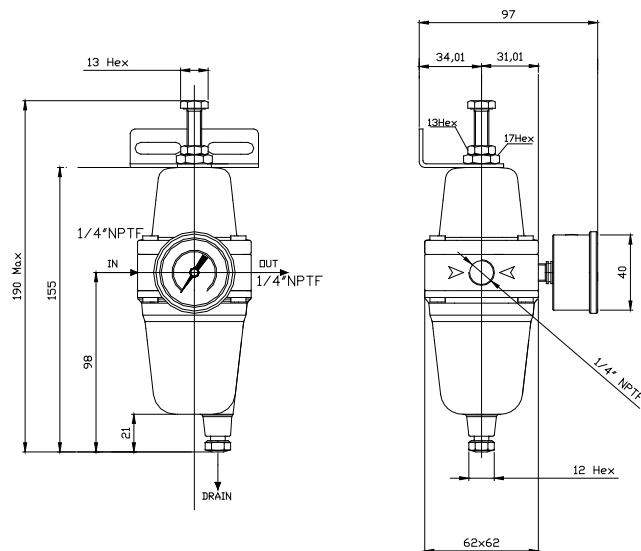
BT-FR4AL/C11B

## Overall dimension

Dimensioni di ingombro

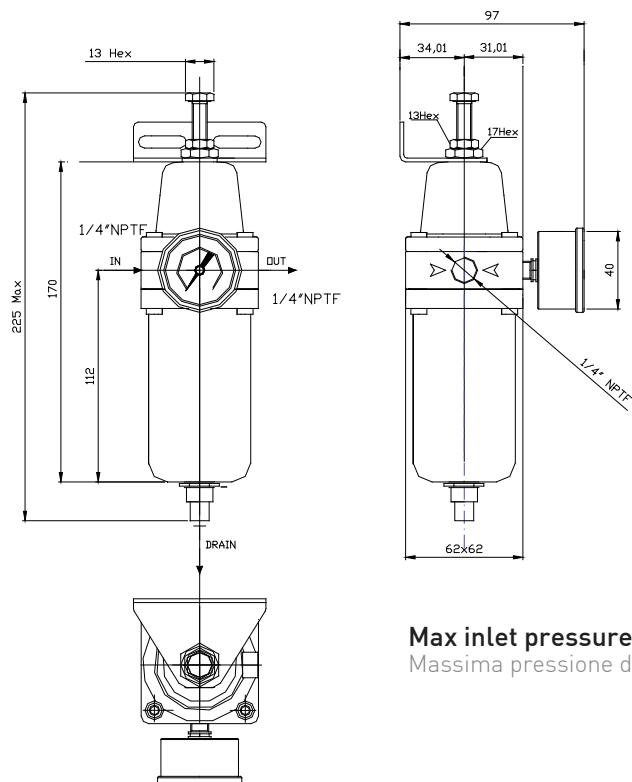
### Manual drain

Scarico manuale



### Automatic drain

Scarico automatico



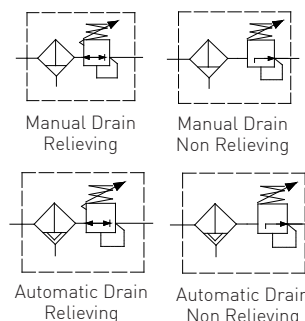
**Max inlet pressure for automatic drain 16bar**

Massima pressione di ingresso con scarico automatico 16bar

## Aluminum alloy 3/8"-1/2"NPT Filter Regulator – FR serie

Filtro Regolatore da 3/8" e 1/2"NPT in lega di alluminio – serie FR

- Suitable for automation equipment to onshore, offshore, pharmaceutical, medical and food applications
- Full material traceability
- Excellent stability and repeatability
- Accurate adjustment and high flow capacity
- ATEX 94/9/CE II2GD c IICT6 X
- approved
- Adatto per automazione in applicazioni marine, petrolchimiche, farmaceutiche, medicali e alimentari
- Completa rintracciabilità dei materiali
- Eccellente stabilità e ripetibilità
- Precise regolazioni ed elevate portate
- ATEX 94/9/CE II2GD c IICT6 X
- Approvato



www.sitecna.eu

<b>Media / Fluido</b>	<b>Compressed air, inert gases, sweet and sour gases</b>
<b>Port thread / Conessioni</b>	<b>3/8"-1/2"NPT</b>
<b>Gauge Connection</b> Connessione manometro	<b>1/8"NPT (1/4"NPT option)</b>
<b>Filtering element</b> Elemento filtrante	<b>5, 25, 40 micron in SS316</b>
<b>Max inlet pressure /</b> Pressione massima di ingresso	<b>25bar</b>
<b>Drain valve/ Scarico condensa</b>	<b>Manual or automatic</b>
<b>Flow rate (@10bar inlet P, 6bar regulated P, delta P=1bar)/ Portata</b>	<b>4500dm3/min Cv=4.5</b>
<b>Working temperature /</b> Temperatura di esercizio	<b>-20°C up to 80°C (NBR); -25°C up to 90°C (FKM); -40°C up to 80°C (EPDM) *</b>
<b>Regulated pressure</b> Pressioni regolate	<b>0/2, 0/4, 0/8, 0/10bar</b>

Air supply must be dry enough to avoid ice formation at temperatures below +2°C [+35°F].

\*Special version available for -55°C up to 90°C

**It provides excellent regulation and filtering for a wide range of applications. Rugged and corrosion-resistant – made of aluminum alloy and SS AISI304/316. Compact small package size /** Permette un'accurata regolazione e filtraggio per una vasta gamma di applicazioni. Robusto e resistente alla corrosione – Costruito lega di alluminio ed AISI316 - Dimensioni di ingombro ridotte

BUILDING MATERIALS	Materiali costruttivi
Body, bonnet, bowl in tropicalized copper free aluminum alloy, internals in st. st. AISI304/316	Corpo, coperchio, tazza in lega di alluminio esente rame tropicalizzata, interni in AISI304/316
Bracket, lock and panel nuts, fixing screws in AISI316 stainless steel or galvanized steel	Vite di regolazione, staffa, dadi di bloccaggio e pannello, viti di fissaggio in acciaio inossidabile AISI316 od acciaio galvanizzato
Diaphragm and valve assembly in elastomer and AISI316 st. st.	Assieme diaframma ed assieme valvola in elastomero ed acciaio inossidabile AISI316
5, 25&40micron filtering element in sinterized AISI316 ss; Coalescing filtering element in bonded micro-fibre	Elementi filtranti da 5, 25 e 40micron in AISI316 sinterizzato; elemento filtrante a coalescenza in micro-fibra
Valve spring, adjustment spring in AISI316SS or galvanized steel	Molle valvola e di regolazione in AISI316 od acciaio galvanizzato
Elastomeric seals	Guarnizioni elastomeriche

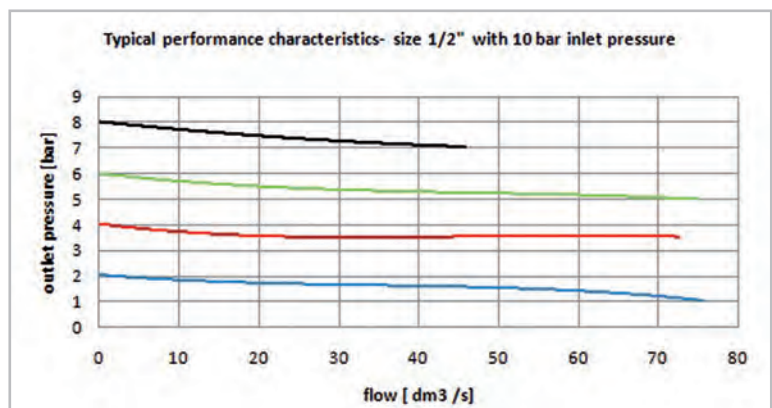
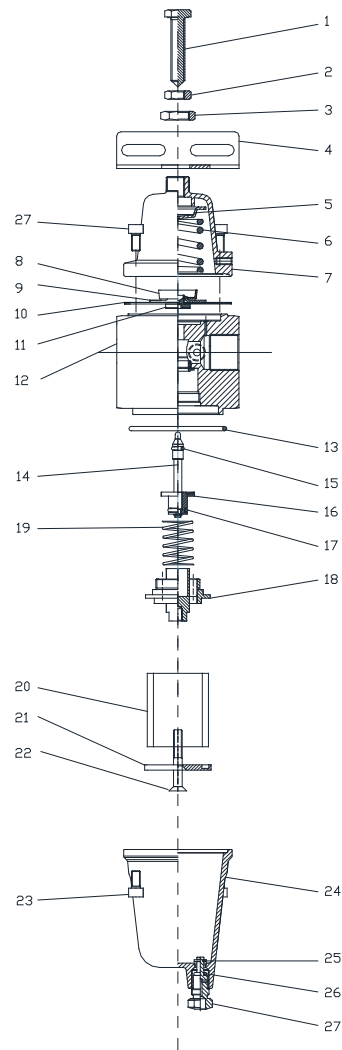
BT-FR8AL/C14A

## Item description

Descrizione item

### Pos. Description - Descrizione

1. Adjusting screw / Vite di regolazione
2. Lock nut / Dado bloccaggio vite
3. Panel nut / Dado staffa
4. Bracket / Staffa
5. Upper spring rest / Sede superiore molla
6. Spring / Molla di regolazione
7. Bonnet / Coperchio
8. Lower spring guide / Guida molla inferiore
9. Lower spring rest / Sede inferiore molla
10. Diaphragm / Diaframma
11. Valve seat / Sede valvola
12. Body / Corpo
13. O'ring (Bowl) / O'ring tazza
14. Valve stem /Stelo valvola
15. O'ring (valve stem) /O'ring stelo valvola
16. Valve Corpo valvola
17. O'ring (valve body) O'ring corpo valvola
18. Filter element support / Supporto elemento filtrante
19. Spring valve /Molla valvola
20. SS316 Filtering element / Elemento filtrante in SS316
21. SS Filtering Element plug / Fondello elemento filtrante SS
22. SS Filtering element screw / Vite elemento filtrante
23. Bowl screw (M5x8) / Vite di fissaggio tazza M5x8
24. Bowl / Tazza
25. Ring / Anello benzin
26. O'ring (drain) / O'ring rubinetto
27. Manual drain / Rubinetto di scarico



## Accessories and repair kit

Accessori e ricambi

Maintenance kit / Kit manutenzione	Items FR-06-K-XAL-** [3/8" - 1/2"]
Pressure gauge DN40mm, SS case, Bar+psi+kpa range / Manometro DN40mm, cassa inox, scala Bar+psi+kpa	0-2bar MBSNP4S2PN3S 0-4bar MBSNP4S2PN05 0-10bar MBSNP4S2PN07
Bracket and lock nut /Staffa e Dado	SQ-FR04

\*\* Refers to seals type:

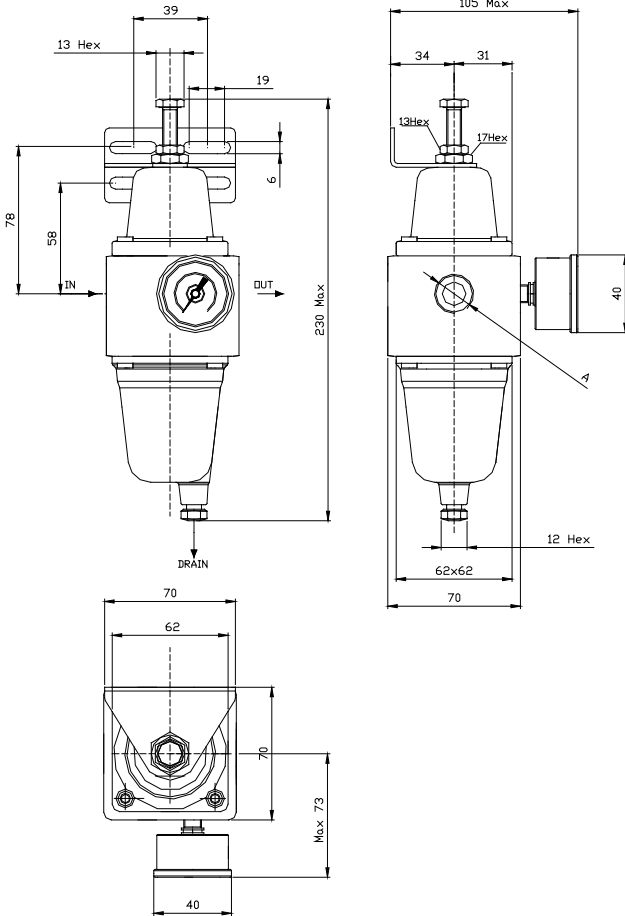
FK→FKM NB→NBR LT→EPDM FL→Low temperature compound

**Overall dimension**

Dimensioni di ingombro

**Manual drain**

Scarico manuale

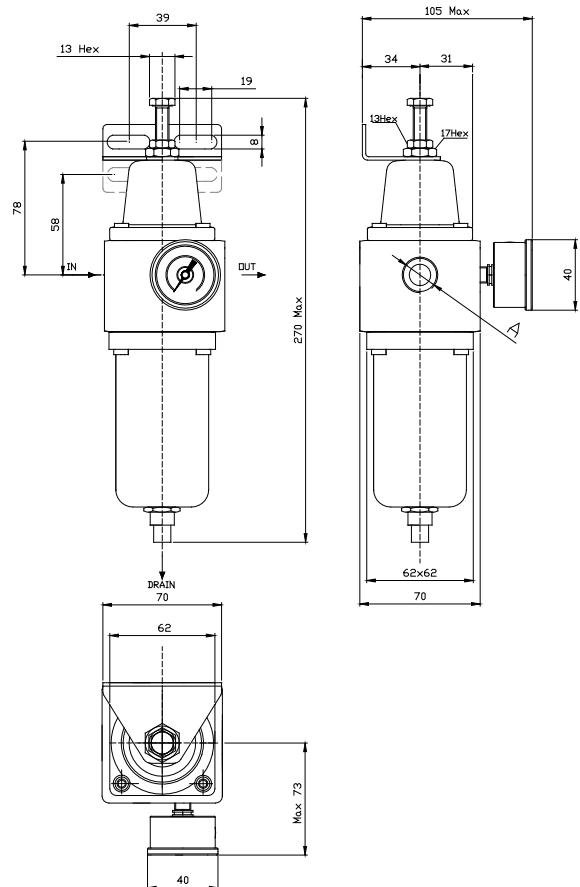


FR06 A = 3/8"

FR08 A = 1/2"

**Automatic drain**

Scarico automatico






**Max inlet pressure for automatic drain 16bar**

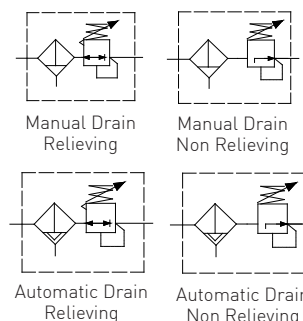
Massima pressione di ingresso con scarico automatico 16bar



## Aluminum alloy 3/4"-1"NPT Filter Regulator – FR serie

Filtro regolatore da 3/4" - 1"NPT in lega di alluminio – serie FR

- Suitable for automation equipment to onshore, offshore, pharmaceutical, medical and food applications
- Full material traceability
- Excellent stability and repeatability
- Accurate adjustment and high flow capacity
- ATEX 94/9/CE  II2GD c IICT6 X
-  approved
- Adatto per automazione in applicazioni marine, petrolchimiche, farmaceutiche, medicali e alimentari
- Completa rintracciabilità dei materiali
- Eccellente stabilità e ripetibilità
- Precise regolazioni ed elevate portate
- ATEX 94/9/CE  II2GD c IICT6 X
- Approvato 



Media / Fluido	Compressed air, inert gases, sweet and sour gases
Port thread / Connessioni	3/4" - 1" NPT
Gauge Connection Connessione manometro	1/4"NPT (1/8"NPT option)
Filtering element Elemento filtrante	stainless steel 25micron standard
Max inlet pressure / Pressione massima di ingresso	25bar
Drain valve/ Scarico condensa	Manual or automatic
Flow rate (@10bar inlet P, 6bar regulated P, delta P=1bar) / Portata	11500dm <sup>3</sup> /min Cv=11.5
Working temperature / Temperatura di esercizio	-20°C up to 80°C (NBR); -25°C up to 90°C (FKM); -40°C up to 80°C (EPDM) *
Regulated pressure Pressioni regolate	0/2, 0/4, 0/8, 0/10bar

Air supply must be dry enough to avoid ice formation at temperatures below +2°C (+35°F).

\*Special version available for -55°C up to 90°C

**It provides excellent regulation and filtering for a wide range of applications. Rugged and corrosion-resistant – made of aluminum alloy and SS AISI304/316 /** Permette un'accurata regolazione e filtraggio per una vasta gamma di applicazioni. Robusto e resistente alla corrosione – Costruito lega di alluminio ed AISI316

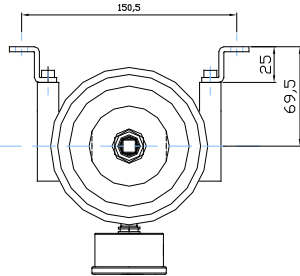
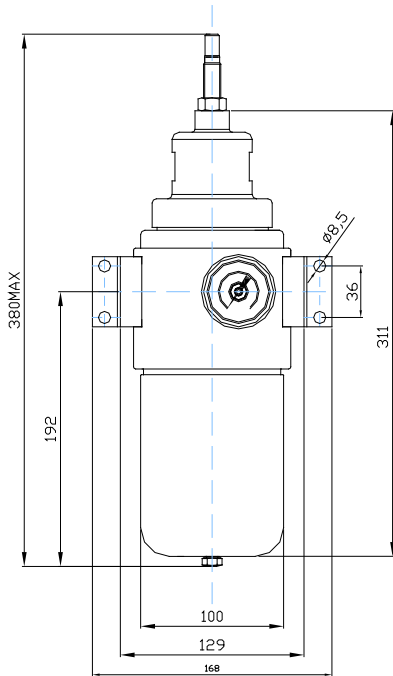
BUILDING MATERIALS	Materiali costruttivi
Body, bonnet, bowl in tropicalized aluminum alloy, internals in stainless steel	Corpo, coperchio, tazza in lega di alluminio tropicalizzata, particolari interni in acciaio inossidabile
Adjustment screw, lock and panel nuts, fixing screws AISI316 stainless steel or galvanized steel	Vite di regolazione, dadi di bloccaggio e pannello, viti di fissaggio in acciaio inossidabile od acciaio galvanizzato
Diaphragm and valve assembly in elastomer and AISI316 stainless steel	Assieme diaframma ed assieme valvola in elastomero ed acciaio inossidabile AISI316
Filtering element in AISI316 stainless steel	Elemento filtrante in acciaio inossidabile AISI316
Valve spring, Adjustment spring AISI316 stainless steel	Molle valvola e di regolazione in acciaio inossidabile AISI316
Seals in elastomer	Guarnizioni in elastomero

www.sitecna.eu

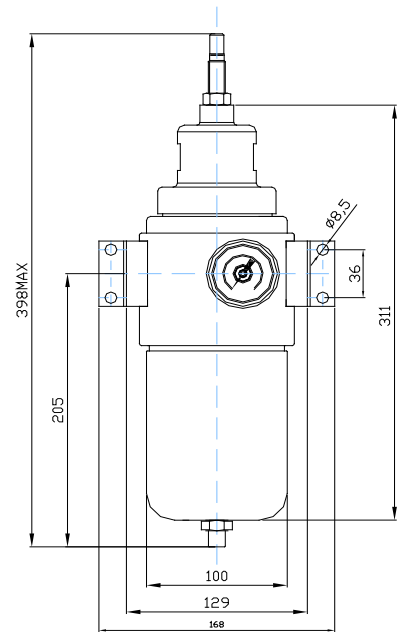
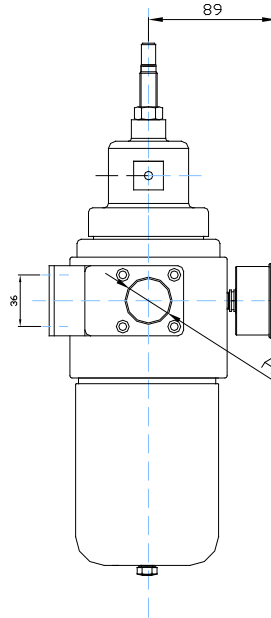
## Overall dimension

Dimensioni di ingombro

**Manual drain**  
Scarico manuale

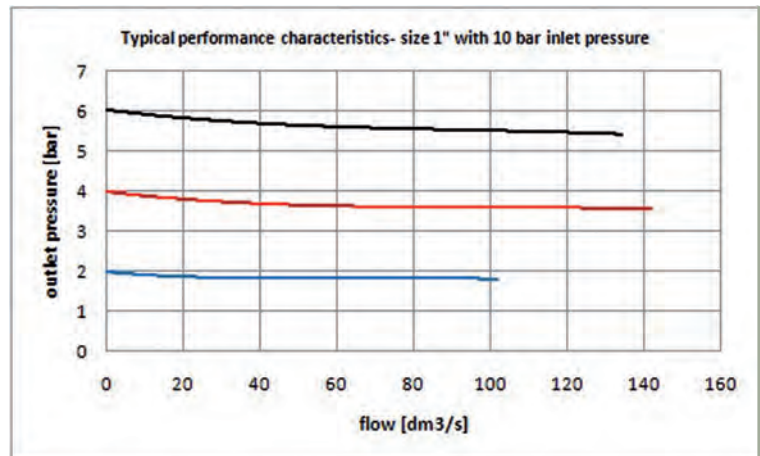


**Automatic drain**  
Scarico automatico



### Max inlet pressure for automatic drain 16bar

Massima pressione di ingresso con scarico automatico 16bar



FR12 A = 3/4"

FR16 A = 1"

## Accessories and repair kit

Accessori e ricambi

Maintenance kit / Kit manutenzione	Items FR-16-K-XAL-** [3/4"; 1"]
Pressure gauge DN40mm, SS case, Bar+psi+kpa range / Manometro DN40mm, cassa inox, scala Bar+psi+kpa	0-2bar MBSNP4S2PN3S 0-4bar MBSNP4S2PN05 0-10bar MBSNP4S2PN07
Bracket and screws / Staffa e Viti	SQ-FR16


\*\* Refers to seals type:

FK→FKM NB→NBR LT→EPDM FL→Low temperature compound

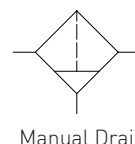
BT-FR16AL/C11B

## AISI316L 1/4" NPT Tee Filter – TF serie

Filtro a T da 1/4" NPT in AISI316L – serie TF

- Suitable for automation equipment to onshore, offshore, pharmaceutical, medical and food applications
- Full material traceability
- High flow capacity
- High pressure design to 70bar
-  approved

- Adatto per automazione in applicazioni marine, petrolchimiche, farmaceutiche, medicali e alimentari
- Completa rintracciabilità dei materiali
- Elevate portate
- Progettazione per alta pressione 70bar
- Approvato 



Media / Fluido	Compressed air, inert gases, sweet and sour gases
Port thread / Conessioni	1/4" NPT
Filtering element Elemento filtrante	5micron in SS316
Max inlet pressure Pressione massima di ingresso	70bar
Orefice / Orifizio	DN6.5mm
Working Temperature Temperatura di esercizio	-20°C up to 80°C (NBR); -25°C up to 90°C (FKM); -40°C up to 80°C (EPDM) *

Air supply must be dry enough to avoid ice formation at temperatures below +2°C (+35°F).

\*Special version available for -55°C up to 90°C

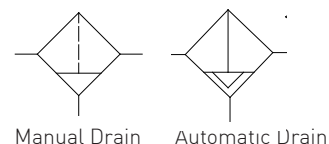
**It provides excellent filtration for a wide range of applications. Rugged and corrosion-resistant – made of barstock AISI316L Compact small package size – light weight Panel mounting with stainless steel bracket.**

Permette una filtrazione accurata per una vasta gamma di applicazioni. Robusto e resistente alla corrosione – Costruito in AISI316L da barra Dimensioni di ingombro ridotte – Leggero Montaggio a pannello con staffa inox.

BUILDING MATERIALS	Materiali costruttivi
Body, cup & end adaptors in Stainless steel AISI316L to NACE MR0175	Corpo, tazza e flangette laterali in acciaio inossidabile AISI316L secondo NACE MR0175
Bracket, lock and panel nuts, fixing screws in 316 stainless steel	Staffa, dadi di bloccaggio e pannello, viti di fissaggio in acciaio inossidabile AISI316
Seals & gaskets in elastomer and vergin PTFE	Tenute e guarnizioni in elastomero e PTFE vergine
5micron filtering element in AISI316 sinterized stainless steel	Elemento filtrante da 5micron in acciaio inossidabile sinterizzato AISI316

### AISI316L 1/4" - 3/8" - 1/2" NPT Filter – F serie

Filtro da 1/4" - 3/8" - 1/2"NPT in AISI316L – serie F



- Suitable to automation equipment, to onshore, offshore, pharmaceutical, medical and food applications
- Full material traceability
- High flow capacity
- ATEX 94/9/CE II2GD c IICT6 X
- approvato

- Adatto per automazione in applicazioni marine, petrolchimiche, farmaceutiche, medicali e alimentari.
- Completa rintracciabilità dei materiali
- Elevate portate
- ATEX 94/9/CE II2GD c IICT6 X
- Approvato



<b>Media / Fluido</b>	<b>Compressed air, inert gases, sweet and sour gases</b>
<b>Port thread / Connessioni</b>	<b>1/4"-3/8"-1/2" NPT</b>
<b>Gauge Connection</b> Connessione manometro	<b>1/8"NPT (1/4"NPT option)</b>
<b>Filtering element</b> Elemento filtrante	<b>Coalescing or SS316 5, 25, 40 micron</b>
<b>Max inlet pressure</b> Pressione massima di ingresso	<b>30bar</b>
<b>Drain valve / Scarico condensa</b>	<b>manual or automatic</b>
<b>Flow Rate (at 6 bar Inlet pressure, delta P=0.5bar) / Portata</b>	<b>1000dm<sup>3</sup>/min (1/4" Cv=1); 4815dm<sup>3</sup>/min (1/2 Cv=4,8)</b>
<b>Working Temperature</b> Temperatura di esercizio	<b>-20°C up to 80°C (NBR); -25°C up to 90°C (FKM); -40°C up to 80°C (EPDM) *</b>

Air supply must be dry enough to avoid ice formation at temperatures below +2°C (+35°F).

\*Special version available for -55°C up to 90°C

**It provides excellent filtration for a wide range of applications. Rugged and corrosion resistant - made of 316/316L stainless steel.**

Permette una filtrazione accurata per una vasta gamma di applicazioni. Robusto e resistente alla corrosione - costruito in AISI316/316L.

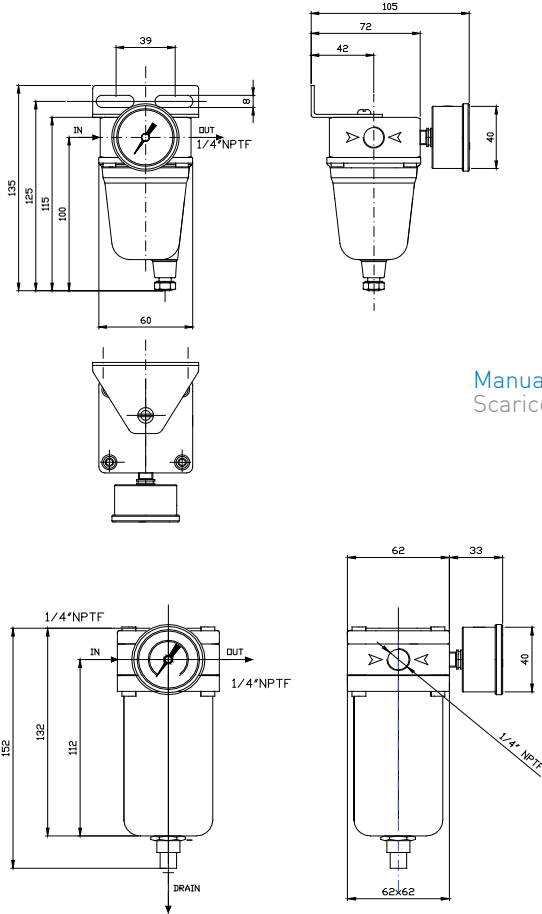
BUILDING MATERIALS	Materiali costruttivi
<b>Body, bonnet, bowl in Stainless steel AISI316L to NACE MR0175</b>	Corpo, coperchio, tazza in acciaio inossidabile AISI316L secondo NACE MR0175
<b>Bracket, lock and panel nuts, fixing screws in 316 stainless steel</b>	Staffa, dadi di bloccaggio e pannello, viti di fissaggio in acciaio inossidabile AISI316
<b>Seals &amp; gaskets in elastomer</b>	Tenute e guarnizioni in elastomero
<b>5, 25&amp;40micron filtering element in AISI316 stainless steel</b>	Elemento filtrante da 5, 25 e 40 micron in acciaio inossidabile AISI316
<b>Coalescing filtering element in bonded micro-fibre</b>	Elemento filtrante a coalescenza in microfibra

BT-FSS/C14A

## Overall dimension

Dimensioni di ingombro

### F04 serie

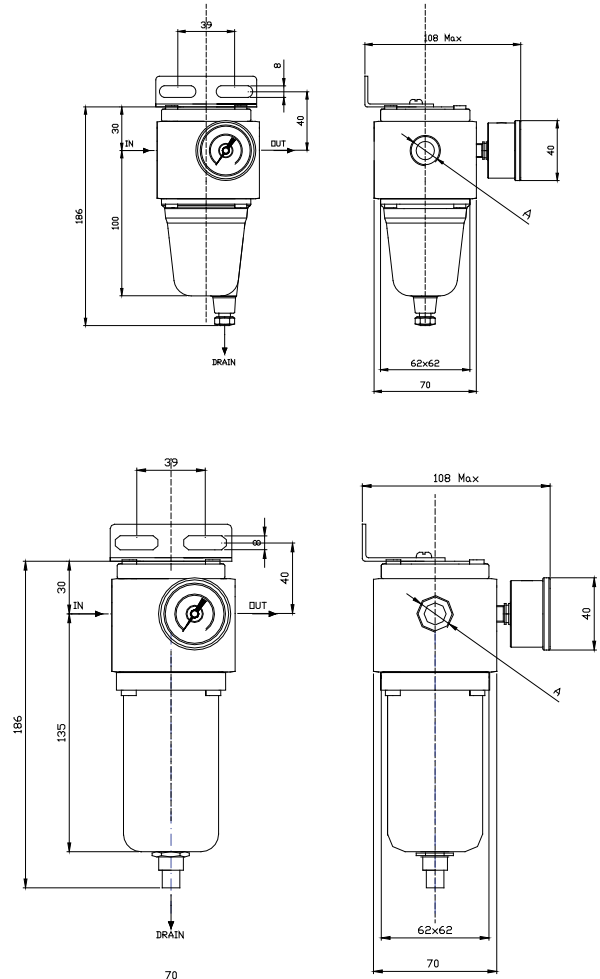


Manual drain  
Scarico manuale

Automatic drain  
Scarico automatico

F04 A = 1/4"

### F06, F08 serie



F06 A = 3/8"

F08 A = 1/2"

### Max inlet pressure for automatic drain 16bar

Massima pressione di ingresso con scarico automatico 16bar

### Accessories and repair kit

Accessori e ricambi

Maintenance kit / Kit manutenzione	Items F -04-K-XSS-** [1/4"] F -08-K-XSS-** [1/8"]
Pressure gauge DN40mm, all SS Bar+psi+kpa range / Manometro DN40mm, tutto inox, scala Bar+psi+kpa	0-2bar MBSSP4S2PN3S 0-4bar MBSSP4S2PN05 0-10bar MBSSP4S2PN07
Bracket and lock nut / Staffa e Dado	SQ-FR04/S

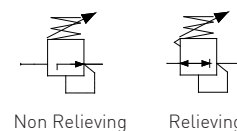
\*\* Refers to seals type:

FK→FKM NB→NBR LT→EPDM FL→Low temperature compound

## AISI316L 1/4" NPT Pressure Regulator – R serie

Regolatore di pressione da 1/4" NPT in AISI316L – serie R

- Suitable for automation equipment to onshore, offshore, pharmaceutical, medical and food applications
- Full material traceability
- Excellent stability and repeatability
- Accurate adjustment and high flow capacity
- ATEX 94/9/CE Ex II2GD c IICT6 X
- approved
- Adatto per automazione in applicazioni marine, petrolchimiche, farmaceutiche, medicali e alimentari
- Completa rintracciabilità dei materiali
- Eccellente stabilità e ripetibilità
- Precise regolazioni ed elevate portate
- ATEX 94/9/CE Ex II2GD c IICT6 X
- Approvato



Media / Fluido	Compressed air, inert gases, sweet and sour gases
Port thread / Connessioni	1/4" NPT
Gauge Connection Connessione manometro	1/8" NPT (1/4" NPT option)
Max inlet pressure / Pressione massima di ingresso	30bar
Relieving/ Scarico sovrappressioni	Standard
Flow Rate (@10 bar inlet P, 6bar regulated P, delta P=1bar)/ Portata	940dm <sup>3</sup> /min Cv=0.9
Working temperature / Temperatura di esercizio	-20°C up to 80°C (NBR); -25°C up to 90°C (FKM); -40°C up to 80°C (EPDM) *
Regulated pressure Pressioni regolate	0/2, 0/4, 0/8, 0/10bar

Air supply must be dry enough to avoid ice formation at temperatures below +2°C (+35°F).

**\*Special version available for -55°C up to 90°C**

**It provides excellent regulation for a wide range of applications. Rugged and corrosion resistant - made of 316/316L stainless steel.**

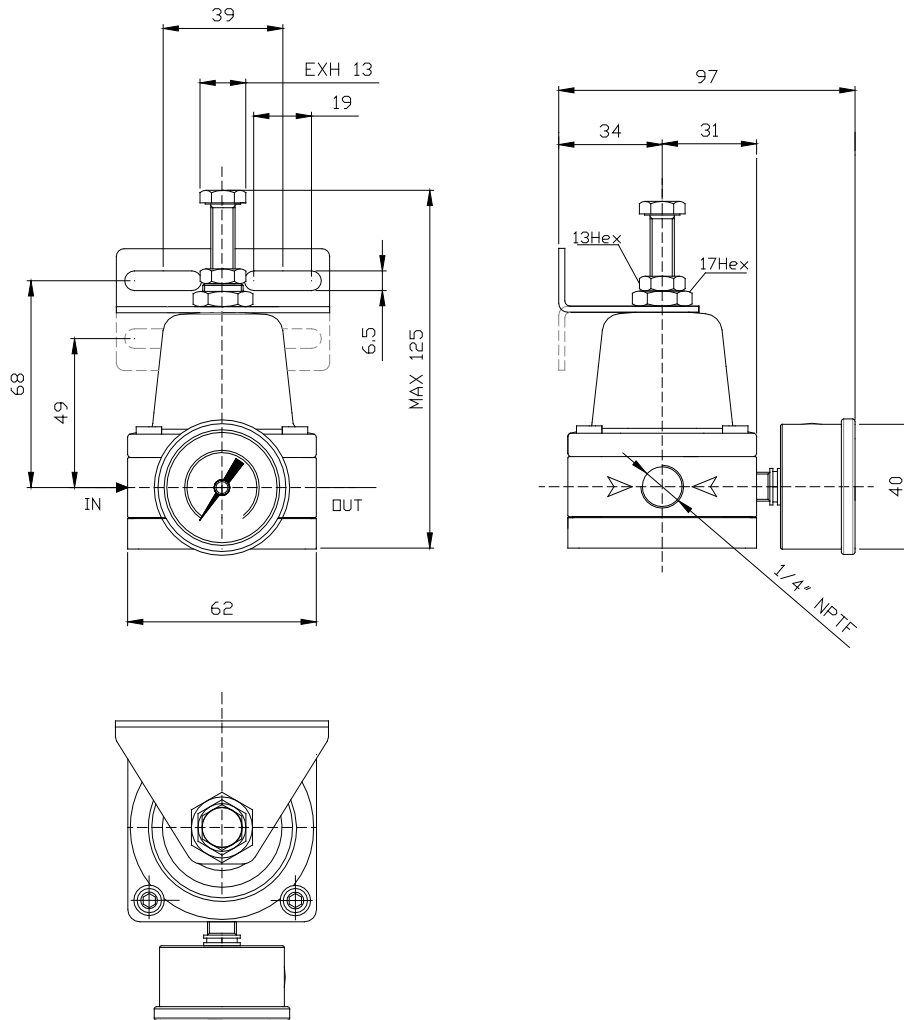
Permette una regolazione accurata per una vasta gamma di applicazioni. Robusto e resistente alla corrosione - costruito in AISI316/316L.

BUILDING MATERIALS	Materiali costruttivi
Body, bonnet, end plate and internals in 316/316L stainless steel to NACE MR0175	Corpo, coperchio, piastra inferiore e particolari interni in AISI316/316L conforme allo standard NACE MR0175
Bracket, lock and panel nuts, fixing screws in AISI316 stainless steel	Staffa, vite di regolazione, dadi di bloccaggio e pannello, viti di fissaggio in acciaio inossidabile AISI316
Diaphragm and valve assembly in elastomer and AISI316 stainless steel	Assieme diaframma ed assieme valvola in elastomero ed acciaio inossidabile AISI316
Valve spring, adjustment spring in AISI316 stainless steel	Molla valvola e di regolazione in acciaio inossidabile AISI316
Elastomeric seals	Guarnizioni elastomeriche

BT-R4SS/C14A

## Overall dimension

Dimensioni di ingombro



R04 A = 1/4"

## Accessories and repair kit

Accessori e ricambi

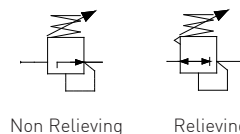
Maintenance kit / Kit manutenzione	R-04-K-XSS-** [1/4"]
Pressure gauge DN40mm, all inox, Bar+psi+kpa range / Manometro DN40mm, tutto inox, scala Bar+psi+kpa	0-2bar MBSSP4S2PN3S 0-4bar MBSSP4S2PN05 0-10bar MBSSP4S2PN07
Bracket and lock nut / Staffa e Dado	SQ-FR04

\*\* Refers to seals type:

FK→FKM NB→NBR LT→EPDM FL→Low temperature compound

## AISI316 3/8"-1/2"NPT Pressure Regulator – R serie

Regolatore di pressione da 3/8" e 1/2"NPT in AISI316 – serie R



- Suitable for automation equipment to onshore, offshore, pharmaceutical, medical and food applications
- Full material traceability
- Excellent stability and repeatability
- Accurate adjustment and high flow capacity
- ATEX 94/9/CE Ex II 2GD c IICT6 X
- approved
- Adatto per automazione in applicazioni marine, petrolchimiche, farmaceutiche, medicali e alimentari.
- Completa rintracciabilità dei materiali
- Eccellente stabilità e ripetibilità
- Precise regolazioni ed elevate portate
- ATEX 94/9/CE Ex II 2GD c IICT6 X
- Approvato



Media / Fluido	Compressed air, inert gases, sweet and sour gases
Port thread / Connessioni	3/8"-1/2"NPT
Gauge Connection Connessione manometro	1/8"NPT (1/4"NPT option)
Max inlet pressure / Pressione massima di ingresso	30bar
Relieving/ Scarico sovrappressioni	Standard
Flow Rate (@10 bar inlet P, 6bar regulated P, delta P=1bar)/ Portata	4500dm <sup>3</sup> /min Cv=4.5
Working temperature / Temperatura di esercizio	-20°C up to 80°C (NBR); -25°C up to 90°C (FKM); -40°C up to 80°C (EPDM) *
Regulated pressure Pressioni regolate	0/2, 0/4, 0/8, 0/10bar

Air supply must be dry enough to avoid ice formation at temperatures below +2°C (+35°F).

\*Special version available for -55°C up to 90°C

**It provides excellent regulation for a wide range of applications. Rugged and corrosion resistant - made of 316/316L stainless steel.**

Permette una regolazione accurata per una vasta gamma di applicazioni. Robusto e resistente alla corrosione - costruito in AISI316/316L.

BUILDING MATERIALS	Materiali costruttivi
Body, bonnet, end plate and internals in 316/316L stainless steel to NACE MR0175	Corpo, coperchio, piastra inferiore e particolari interni in AISI316/316L conforme allo standard NACE MR0175
Adjustment screw, bracket, lock and panel nuts, fixing screws in AISI316 stainless steel	Vite di regolazione, staffa, dadi di bloccaggio e pannello, viti di fissaggio in acciaio inossidabile AISI316
Diaphragm and valve assembly in elastomer and AISI316 stainless steel	Assieme diaframma ed assieme valvola in elastomero ed acciaio inossidabile AISI316
Valve spring, adjustment spring in AISI316 stainless steel	Molle valvola e di regolazione in acciaio inossidabile AISI316
Elastomeric seals	Guarnizioni elastomeriche

BT-R8SS/C14A

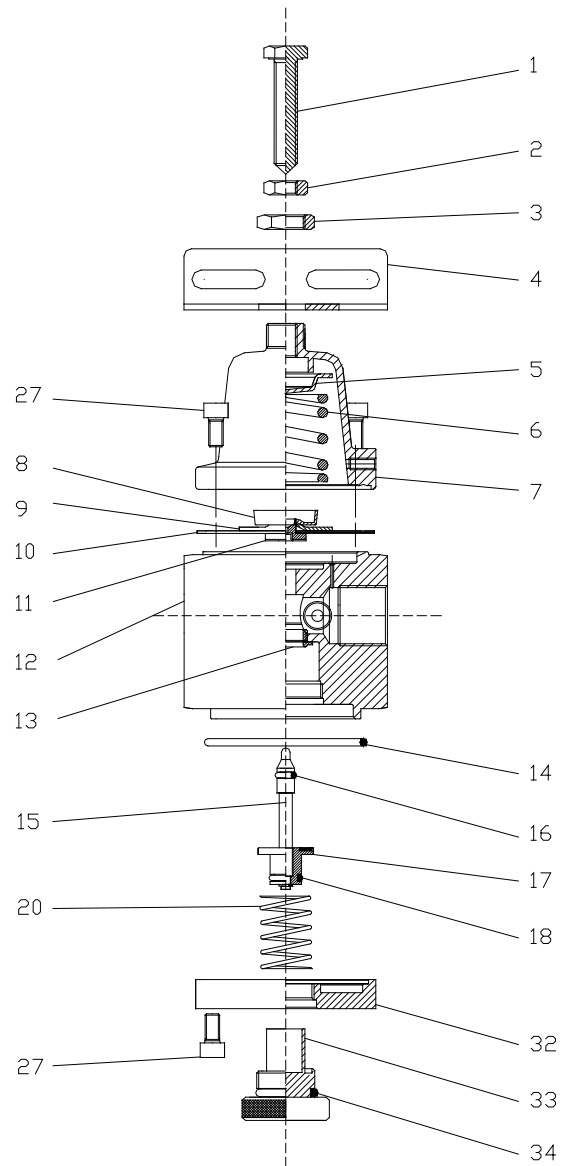


## Item description

Descrizione item

### Pos. Description - Descrizione

1. Adjusting screw / Vite di regolazione
2. Lock nut / Dado bloccaggio vite
3. Panel nut / Dado staffa
4. Bracket / Staffa
5. Upper spring rest / Sede superiore molla
6. Spring / Molla di regolazione
7. Bonnet / Coperchio
8. Lower spring guide / Guida molla inferiore
9. Lower spring rest / Sede inferiore molla
10. Diaphragm / Diaframma
11. Valve seat / Sede valvola
12. Body / Corpo
13. Valve seat / Sede valvola
14. O'ring (Bowl) / O'ring tazza
15. Valve stem / Stelo valvola
16. O'ring (valve stem) / O'ring stelo valvola
17. Valve / Corpo valvola
18. O'ring (valve body) / O'ring corpo valvola
20. Spring valve / Molla valvola
- 27 Bowl screw (M5x8) / Piastra inferiore
- 32 End plate / Piastra inferiore
- 33 Valve seat / Sede valvola
- 34 Valve seat O'ring / O'ring sede inferiore valvola



## Accessories and repair kit

Accessori e ricambi

Maintenance kit / Kit manutenzione	Items R-06-K-XSS-** [3/8"-1/2"]
Pressure gauge DN40mm, all SS, Bar+psi+kpa range / Manometro DN40mm, tutto inox, scala Bar+psi+kpa	0-2bar MBSSP4S2PN3S 0-4bar MBSSP4S2PN05 0-10bar MBSSP4S2PN07
Bracket and lock nut / Staffa e Dado	SQ-FR04

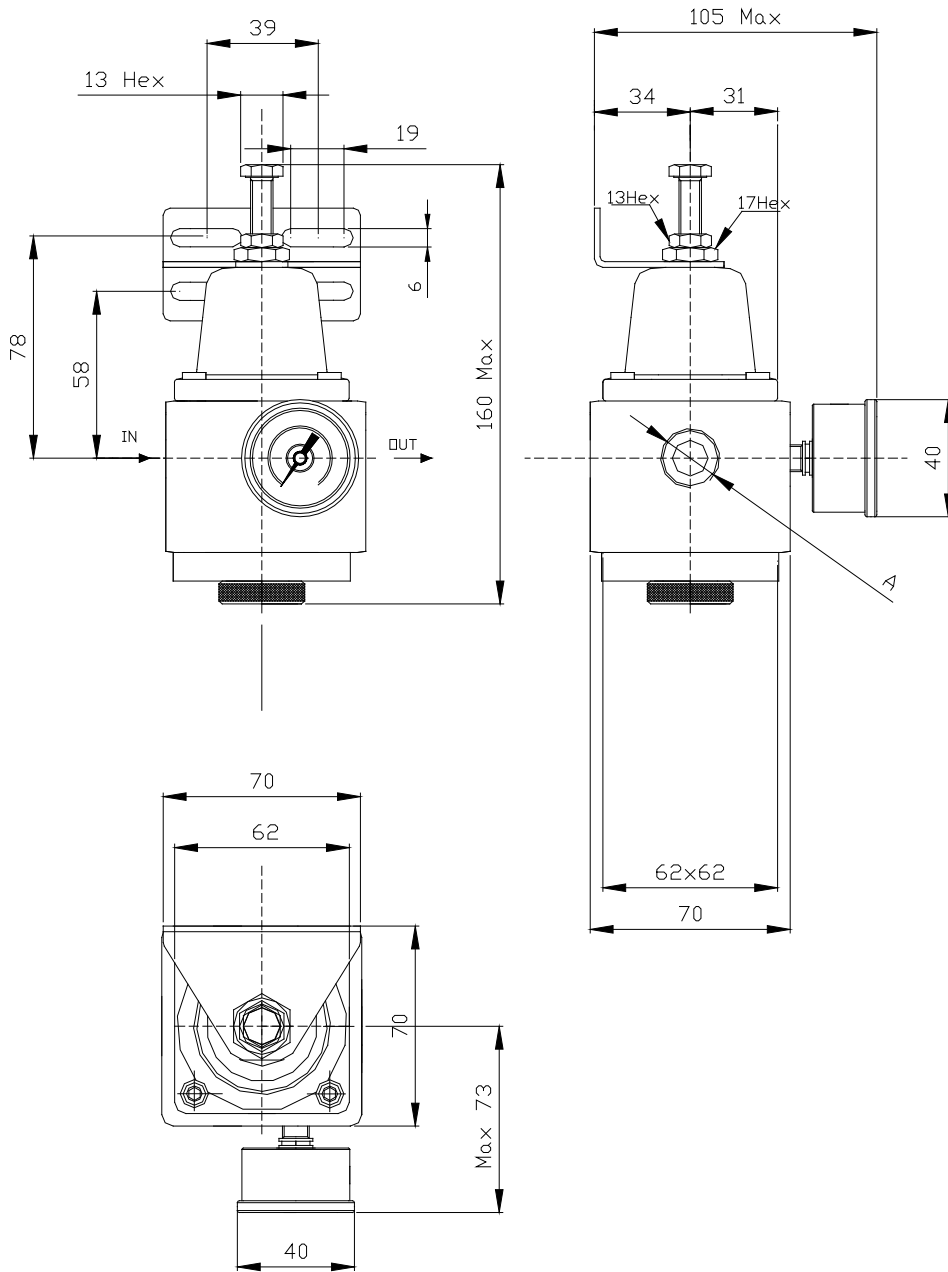
\*\* Refers to seals type:

FK→FKM NB→NBR LT→EPDM FL→Low temperature compound

**Overall dimension**

Dimensioni di ingombro

www.sitecna.eu





R06 A = 3/8"

R08 A = 1/2"

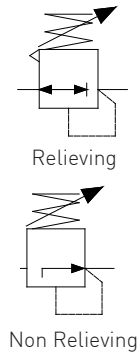
BT-R8SS/C11C

## AISI316L 3/4"-1"NPT Pressure Regulator – R serie

Regolatore di pressione da 3/4"- 1"NPT in AISI316L- serie R

- Suitable for automation equipment to onshore, offshore, pharmaceutical, medical and food applications
- Full material traceability
- Excellent stability and repeatability
- Accurate adjustment and high flow capacity
- ATEX 94/9/CE  II2GD c IICT6 X
-  approved

- Adatto per automazione in applicazioni marine, petrolchimiche, farmaceutiche, medicali e alimentari
- Completa rintracciabilità dei materiali
- Eccellente stabilità e ripetibilità
- Precise regolazioni ed elevate portate
- ATEX 94/9/CE  II2GD c IICT6 X
- Approvato 



Media / Fluido	Compressed air, inert gases, sweet and sour gases
Port thread / Connessioni	3/4"-1" NPT
Gauge Connection Connessione manometro	1/4"NPT (1/8"NPT option)
Max inlet pressure / Pressione massima di ingresso	30bar
Relieving/ Scarico sovrappressioni	Standard
Flow rate (@10bar inlet P, 6bar regulated P, delta P=1bar) / Portata	11500dm <sup>3</sup> /min Cv=11.5
Working temperature / Temperatura di esercizio	-20°C up to 80°C (NBR); -25°C up to 90°C (FKM); -40°C up to 80°C (EPDM) *
Regulated pressure Pressioni regolate	0/2, 0/4, 0/8, 0/10bar

Air supply must be dry enough to avoid ice formation at temperatures below +2°C (+35°F).

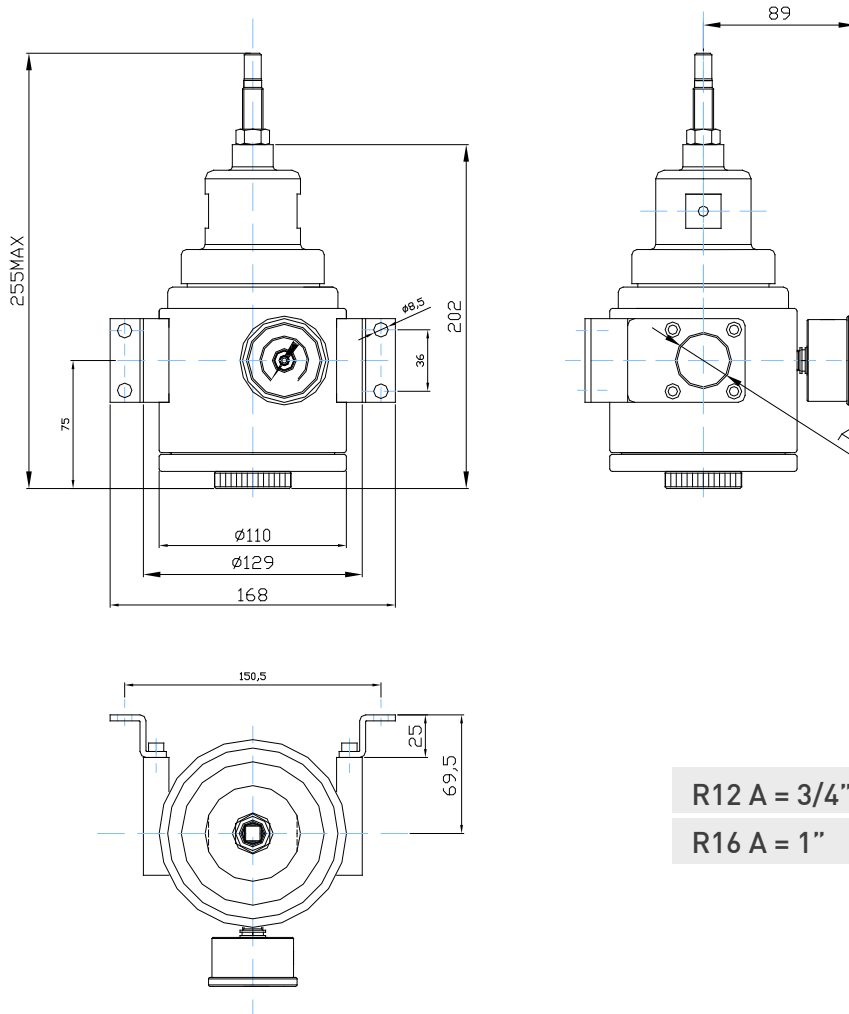
\*Special version available for -55°C up to 90°C

It provides excellent regulation and for a wide range of applications. Rugged and corrosion-resistant – made of 316L stainless steel / Permette un'accurata regolazione per una vasta gamma di applicazioni. Robusto e resistente alla corrosione – Costruito in acciaio inossidabile 316L

BUILDING MATERIALS	Materiali costruttivi
Body, bonnet, end plate and internals in 316/316L stainless steel to NACE MR0175	Corpo, coperchio, piastra inferiore e particolari interni in AISI316/316L conforme allo standard NACE MR0175
Adjustment screw, lock and panel nuts, fixing screws AISI316 stainless steel or galvanized steel	Vite di regolazione, dadi di bloccaggio e pannello, viti di fissaggio in acciaio inossidabile od acciaio galvanizzato
Diaphragm and valve assembly in elastomer and AISI316 stainless steel	Assieme diaframma ed assieme valvola in elastomero ed acciaio inossidabile AISI316
Valve spring & adjustment spring AISI316 stainless steel	Molle valvola e di regolazione in acciaio inossidabile AISI316
Seals in elastomer	Guarnizioni in elastomero

### Overall dimension

Dimensioni di ingombro



R12 A = 3/4"

R16 A = 1"

### Accessories and repair kit

Accessori e ricambi



Maintenance kit / Kit manutenzione	Items R-16-K-XSS-** [3/4"; 1"]
Pressure gauge DN40mm, SS case, Bar+psi+kpa range / Manometro DN40mm, cassa inox, scala Bar+psi+kpa	0-2bar MBS6P4S2PN3S 0-4bar MBS6P4S2PN05 0-10bar MBS6P4S2PN07
Bracket and screws / Staffa e Viti	SQ-FR16

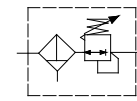
\*\* Refers to seals type:

FK→FKM NB→NBR LT→EPDM FL→Low temperature compound

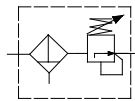
## AISI316 1/4"NPT Instrument Filter Regulator – FR serie

Filtro Regolatore da 1/4"NPT in AISI316 – serie FR

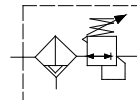
- Suitable for automation equipment to onshore, offshore, pharmaceutical, medical and food applications
- Full material traceability
- Excellent stability and repeatability
- Accurate adjustment and high flow capacity
- ATEX 94/9/CE II2GD c IICT6 X
-  approved
- Adatto per automazione in applicazioni marine, petrolchimiche, farmaceutiche, medicali e alimentari
- Completa rintracciabilità dei materiali
- Eccellente stabilità e ripetibilità
- Precise regolazioni ed elevate portate
- ATEX 94/9/CE II2GD c IICT6 X
- Approvato 



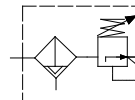
Manual Drain Relieving



Manual Drain Non Relieving



Automatic Drain Relieving



Automatic Drain Non Relieving

Media / Fluido	Compressed air, inert gases, sweet and sour gases
Port thread / Connessioni	1/4"NPT
Gauge Connection Connessione manometro	1/8"NPT (1/4"NPT option)
Filtering element Elemento filtrante	5micron in SS316 std (25 & 40micron available)
Max inlet pressure Pressione massima di ingresso	30bar
Drain valve / Scarico condensa	Manual or automatic
Flow Rate (@10bar inlet P, 6bar regulated P, delta P=1bar)/ Portata	940dm <sup>3</sup> /min Cv=0.9
Working Temperature Temperatura di esercizio	-20°C up to 80°C (NBR); -25°C up to 90°C (FKM); -40°C up to 80°C (EPDM) *
Regulated pressure Pressioni regolate	0/2, 0/4, 0/8, 0/10bar

Air supply must be dry enough to avoid ice formation at temperatures below +2°C (+35°F).

\*Special version available for -55°C up to 90°C

It provides excellent regulation and filtering for a wide range of applications. Rugged and corrosion-resistant – made of 316/316L stainless steel -Compact small package size – light weight

Permette un'accurata regolazione e filtraggio per una vasta gamma di applicazioni. Robusto e resistente alla corrosione – Costruito AISI316/316L - Dimensioni di ingombro ridotte – Leggero

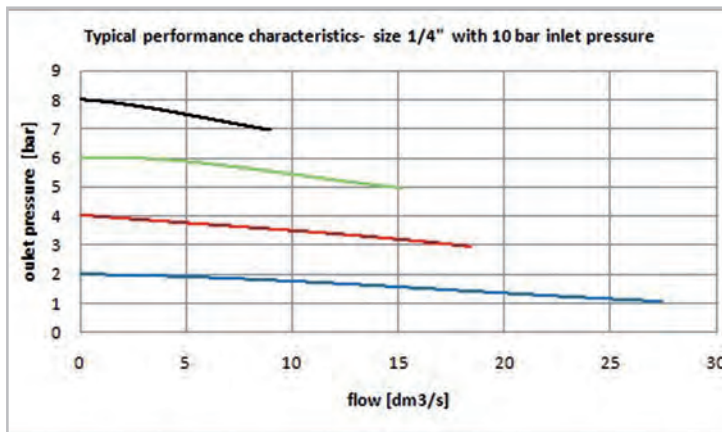
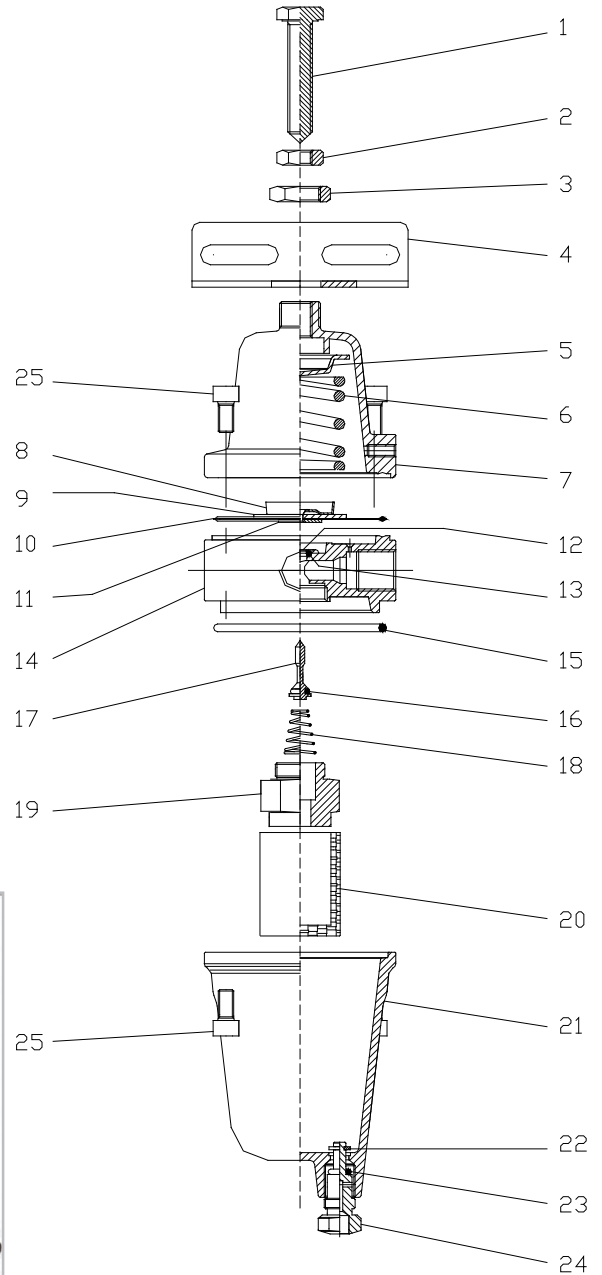
BUILDING MATERIALS	Materiali costruttivi
Body, bonnet, bowl and internals in 316/316L stainless steel to NACE MR0175	Corpo, coperchio, tazza e particolari interni in AISI316/316L conforme ai requisiti dello standard NACE MR0175
Bracket, lock and panel nuts, fixing screws in AISI316 stainless steel	Vite di regolazione, staffa, dadi di bloccaggio e pannello, viti di fissaggio in acciaio inossidabile AISI316
Diaphragm and valve assembly in elastomer and AISI316 stainless steel	Assieme diaframma ed assieme valvola in elastomero ed acciaio inossidabile AISI316
5, 25&40micron filtering element in sinterized AISI316 ss; Coalescing filtering element in bonded micro-fibre	Elementi filtranti da 5, 25 e 40micron in AISI316 sinterizzato; elemento filtrante a coalescenza in micro-fibra
Valve spring, adjustment spring in AISI316 stainless steel	Molle valvola e di regolazione in acciaio inossidabile AISI316
Elastomeric seals	Guarnizioni elastomeriche

## Item description

Descrizione item

### Pos. Description - Descrizione

1. Adjusting screw / Vite di regolazione
2. Lock nut / Dado bloccaggio vite
3. Panel nut / Dado staffa
4. Bracket / Staffa
5. Upper spring rest / Sede superiore molla
6. Spring / Molla di regolazione
7. Bonnet / Coperchio
8. Lower spring guide / Guida molla inferiore
9. Lower spring rest / Sede inferiore molla
10. Diaphragm / Diaframma
11. Valve seat / Sede valvola
12. Ring / Arresto
13. O'ring valve steam / O'ring guida valvola
14. Body Corpo
15. O'ring (bowl) / O'ring tazza
16. O'ring (valve) / O'ring valvola
17. Valve / Corpo valvola
18. Spring valve / Molla valvola
19. Filter element support / Supporto elemento filtrante
20. Element / Elemento filtrante
21. Bowl / Tazza
22. Ring / Anello benzin
23. O'ring (drain) / O'ring rubinetto
24. Manual drain / Rubinetto di scarico
25. Screw (M5x8) Vite di fissaggio M5x8



## Accessories and repair kit

Accessori e ricambi

Maintenance kit / Kit manutenzione	Items FR-04-K-XSS-** [1/4"]
Pressure gauge DN40mm, all SS, Bar+psi+kpa range / Manometro DN40mm, tutto inox, scala Bar+psi+kpa	0-2bar MBSSP4S2PN3S 0-4bar MBSSP4S2PN05 0-10bar MBSSP4S2PN07
Bracket and lock nut / Staffa e Dado	SQ-FR04

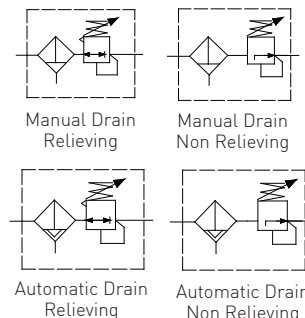
\*\* Refers to seals type:

FK→FKM NB→NBR LT→EPDM FL→Low temperature compound

## AISI316 3/8"-1/2"NPT Instrument Filter Regulator – FR serie

Filtro Regolatore da 3/8" e 1/2"NPT in AISI316 – serie FR

- Suitable for automation equipment to onshore, offshore, pharmaceutical, medical and food applications
- Full material traceability
- Excellent stability and repeatability
- Accurate adjustment and high flow capacity
- ATEX 94/9/CE II2GD c IICT6 X
- approved
- Adatto per automazione in applicazioni marine, petrolchimiche, farmaceutiche, medicali e alimentari
- Completa rintracciabilità dei materiali
- Eccellente stabilità e ripetibilità
- Precise regolazioni ed elevate portate
- ATEX 94/9/CE II2GD c IICT6 X
- Approvato



Media / Fluido	Compressed air, inert gases, sweet and sour gases
Port thread / Conessioni	3/8"-1/2"NPT
Gauge Connection Connesione manometro	1/8"NPT (1/4"NPT option)
Filtering element Elemento filtrante	5, 25,40 micron in SS316 std
Max inlet pressure / Pressione massima di ingresso	30bar
Drain valve/ Scarico condensa	Manual or automatic
Flow rate (@10bar inlet P, 6bar regulated P, delta P=1bar) / Portata	4500dm3/min Cv=4.5
Working temperature / Temperatura di esercizio	-20°C up to 80°C (NBR); -25°C up to 90°C (FKM); -40°C up to 80°C (EPDM) *
Regulated pressure Pressioni regolate	0/2, 0/4, 0/8, 0/10bar

Air supply must be dry enough to avoid ice formation at temperatures below +2°C (+35°F).

**\*Special version available for -55°C up to 90°C**

**It provides excellent regulation and filtering for a wide range of applications. Rugged and corrosion-resistant – made of 316/316L stainless steel -Compact small package size – light weight / Permette un'accurata regolazione e filtraggio per una vasta gamma di applicazioni. Robusto e resistente alla corrosione – Costruito AISI316/316L - Dimensioni di ingombro ridotte – Leggero**

BUILDING MATERIALS	Materiali costruttivi
Body, bonnet, bowl and internals in stainless steel AISI316L to NACE MR01-75	Corpo, coperchio, tazza e particolari interni in AISI316L conforme allo std NACE MR01-75
Bracket, lock and panel nuts, fixing screws in AISI316 stainless steel	Vite di regolazione, staffa, dadi di bloccaggio e pannello, viti di fissaggio in acciaio inossidabile AISI316
Diaphragm and valve assembly in elastomer and AISI316 stainless steel	Assieme diaframma ed assieme valvola in elastomero ed acciaio inossidabile AISI316
5, 25&40micron filtering element in sinterized AISI316 ss; Coalescing filtering element in bonded micro-fibre	Elementi filtranti da 5, 25 e 40micron in AISI316 sinterizzato; elemento filtrante a coalescenza in micro-fibra
Valve spring, adjustment spring in AISI316SS	Molle valvola e di regolazione in AISI316
Elastomeric seals	Guarnizioni elastomeriche

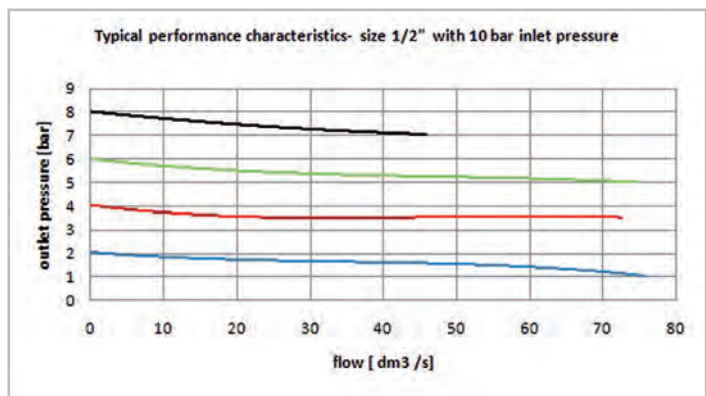
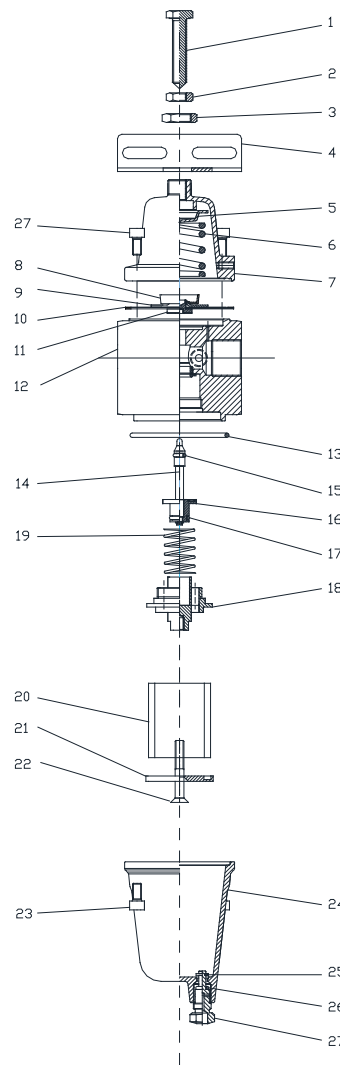
BT-FR8SS/C14A

## Item description

Descrizione item

### Pos. Description - Descrizione

1. Adjusting screw / Vite di regolazione
2. Lock nut / Dado bloccaggio vite
3. Panel nut / Dado staffa
4. Bracket / Staffa
5. Upper spring rest / Sede superiore molla
6. Spring / Molla di regolazione
7. Bonnet / Coperchio
8. Lower spring guide / Guida molla inferiore
9. Lower spring rest / Sede inferiore molla
10. Diaphragm / Diaframma
11. Valve seat / Sede valvola
12. Body / Corpo
13. O'ring (Bowl) / O'ring tazza
14. Valve stem /Stelo valvola
15. O'ring (valve stem) /O'ring stelo valvola
16. Valve Corpo valvola
17. O'ring (valve body) O'ring corpo valvola
18. Filter element support / Supporto elemento filtrante
19. Spring valve /Molla valvola
20. SS316 Filtering element / Elemento filtrante in SS316
21. SS Filtering Element plug / Fondello elemento filtrante SS
22. SS Filtering element screw / Vite elemento filtrante
23. Bowl screw (M5x8) / Vite di fissaggio tazza M5x8
24. Bowl / Tazza
25. Ring / Anello benzin
26. O'ring (drain) / O'ring rubinetto
27. Manual drain / Rubinetto di scarico



## Accessories and repair kit

Accessori e ricambi

Maintenance kit / Kit manutenzione	Items FR-06-K-XSS-** [3/8"-1/2"]
Pressure gauge DN40mm, all inox, Bar+psi+kpa range / Manometro DN40mm, tutto inox, scala Bar+psi+kpa	0-2bar MBSSP4S2PN3S 0-4bar MBSSP4S2PN05 0-10bar MBSSP4S2PN07
Bracket and lock nut /Staffa e Dado	SQ-FR04

\*\* Refers to seals type:

FK→FKM NB→NBR LT→EPDM FL→Low temperature compound



**Overall dimension**

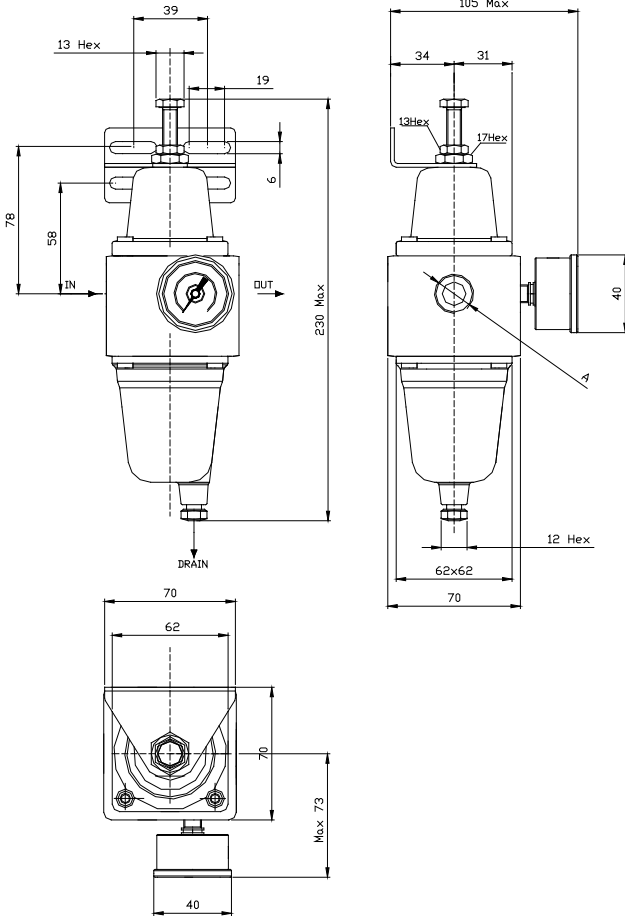
Dimensioni di ingombro

**Manual drain**

Scarico manuale

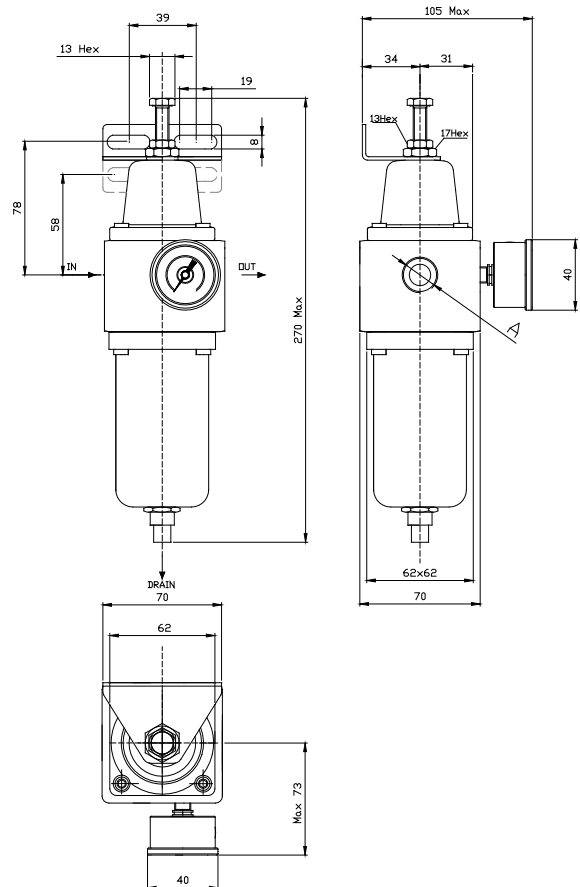
FR06 A = 3/8"

FR08 A = 1/2"



**Automatic drain**

Scarico automatico







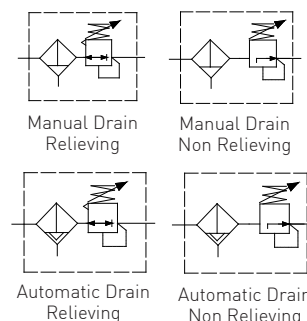
**Max inlet pressure for automatic drain 16bar**

Massima pressione di ingresso con scarico automatico 16bar

## AISI316 3/4" - 1" Filter Regulator – FR serie

Filtro regolatore da 3/4" – 1" in AISI316 – serie FR

- Suitable for automation equipment to onshore, offshore, pharmaceutical, medical and food applications
- Full material traceability
- Excellent stability and repeatability
- Accurate adjustment and high flow capacity
- ATEX 94/9/CE  II2GD c IICT6 X
-  approved
- Adatto per automazione in applicazioni marine, petrolchimiche, farmaceutiche, medicali e alimentari
- Completa rintracciabilità dei materiali
- Eccellente stabilità e ripetibilità
- Precise regolazioni ed elevate portate
- ATEX 94/9/CE  II2GD c IICT6 X
- Approvato 



<b>Media / Fluido</b>	<b>Compressed air, inert gases, sweet and sour gases</b>
<b>Port thread / Connessioni</b>	<b>3/4" - 1" NPT</b>
<b>Gauge Connection</b> Connessione manometro	<b>1/4" NPT (1/8" NPT option)</b>
<b>Filtering element</b> Elemento filtrante	<b>stainless steel 25micron standard</b>
<b>Max inlet pressure /</b> Pressione massima di ingresso	<b>30bar</b>
<b>Drain valve/ Scarico condensa</b>	<b>Manual or automatic</b>
<b>Flow rate (@10bar inlet P, 6bar regulated P, delta P=1bar)/ Portata</b>	<b>11500dm<sup>3</sup>/min Cv=11.5</b>
<b>Working temperature /</b> Temperatura di esercizio	<b>-20°C up to 80°C (NBR); -25°C up to 90°C (FKM); -40°C up to 80°C (EPDM) *</b>
<b>Regulated pressure</b> Pressioni regolate	<b>0/2, 0/4, 0/8, 0/10bar</b>

Air supply must be dry enough to avoid ice formation at temperatures below +2°C (+35°F).

\*Special version available for -55°C up to 90°C

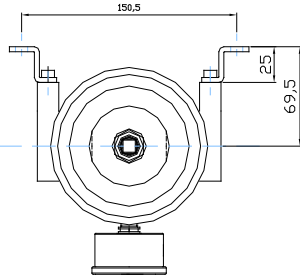
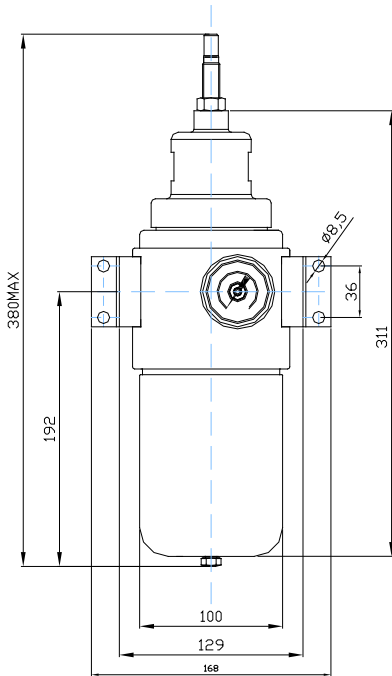
**It provides excellent regulation and filtering for a wide range of applications. Rugged and corrosion-resistant – made of 316L stainless steel /** Permette un'accurata regolazione e filtraggio per una vasta gamma di applicazioni. Robusto e resistente alla corrosione – costruito in acciaio inossidabile 316

<b>BUILDING MATERIALS</b>	<b>Materiali costruttivi</b>
<b>Body, bonnet, bowl and internals in stainless steel AISI316 L top NACE MR 0175</b>	Corpo, coperchio, tazza ed interni in acciaio inossidabile AISI316L conforme ai requisiti dello standard NACE MR0175
<b>Adjustment screw, lock and panel nuts, fixing screws AISI316 stainless steel</b>	Vite di regolazione, dadi di bloccaggio e pannello, viti di fissaggio in acciaio inossidabile AISI316
<b>Diaphragm and valve assembly in elastomer and AISI316 stainless steel</b>	Assieme diaframma ed assieme valvola in elastomero ed acciaio inossidabile AISI316
<b>Filtering element in AISI316 stainless steel</b>	Elemento filtrante in acciaio inossidabile AISI316
<b>Valve spring, Adjustment spring in AISI316 stainless steel</b>	Molle valvola e di regolazione in acciaio inossidabile AISI316
<b>Seals in elastomer</b>	Guarnizioni in elastomero

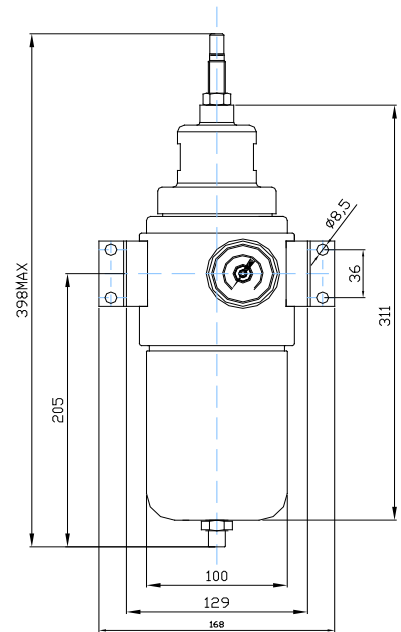
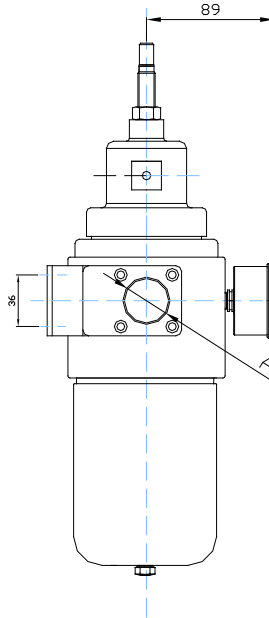
### Overall dimension

Dimensioni di ingombro

**Manual drain**  
Scarico manuale

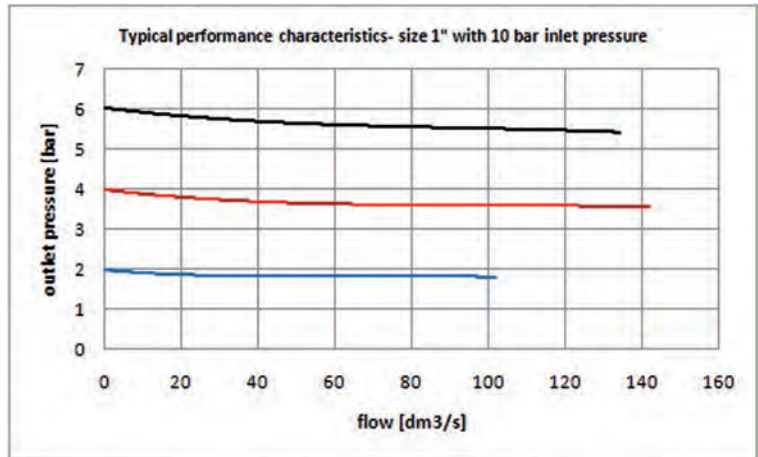


**Automatic drain**  
Scarico automatico



### Max inlet pressure for automatic drain 16bar

Massima pressione di ingresso con scarico automatico 16bar



FR12 A = 3/4"

FR16 A = 1"

### Accessories and repair kit

Accessori e ricambi



Maintenance kit / Kit manutenzione	FR-16-K-XSS-** [3/4"; 1"]
Pressure gauge DN40mm, all SS, Bar+psi+kpa range / Manometro DN40mm, tutto inox, scala Bar+psi+kpa	0-2bar MBSSP4S2PN3S 0-4bar MBSSP4S2PN05 0-10bar MBSSP4S2PN07
Bracket and lock nut / Staffa e Dado	R-16-STSS



\*\* Refers to seals type:

FK→FKM NB→NBR LT→EPDM FL→Low temperature compound

## AISI316L 1/4" Back Pressure Regulator - BP Series

Regolatore di contropressione da 1/4" in AISI316 Serie BP

- AISI 316L construction
- Excellent accuracy
- Gauge port option
- Different type of gaskets
- Low cost
- ATEX 94/9/CE  II2GD c IICT6 X
-  approved

- Materiale di costruzione AISI 316L
- Eccellente precisione
- Varianti connessioni manometro
- Differenti tipi di guarnizioni
- Basso costo
- ATEX 94/9/CE  II2GD c IICT6 X
- Approvato 



The BP series is a general-purpose regulator designed to control back-pressure levels in process or analytical systems upstream of the regulator. Its feature make it ideal for many type of application.

La serie BP è un regolatore per applicazioni generiche progettato per controllare i valori di contropressione a valle del regolatore di pressione nei sistemi di processo o di analisi. Le sue caratteristiche lo rendono adatto a molteplici applicazioni

### Technical Data

Caratteristiche Tecniche

Port thread / Connessioni	1/4 NPT
Gauge port / Connessioni	1/8 NPT
Body material / Materiali corpo Gasket material / Materiale tenute	AISI 316L EPDM
Maximum inlet pressure Pressione massima ingresso	Equal to pressure control range Uguale al campo di regolazione
Control range ( psi ) Campo di regolazione ( bar )	3-30 3-60 5-120 60-500 0.2-2 0.2-4 0.4-8 4-35
Temperature range / Temperatura	-55°C +90°C

**Option**

Opzioni

**Different gauge port**  
Conessioni manometro diverse

**Panel mount**  
Montaggio pannello

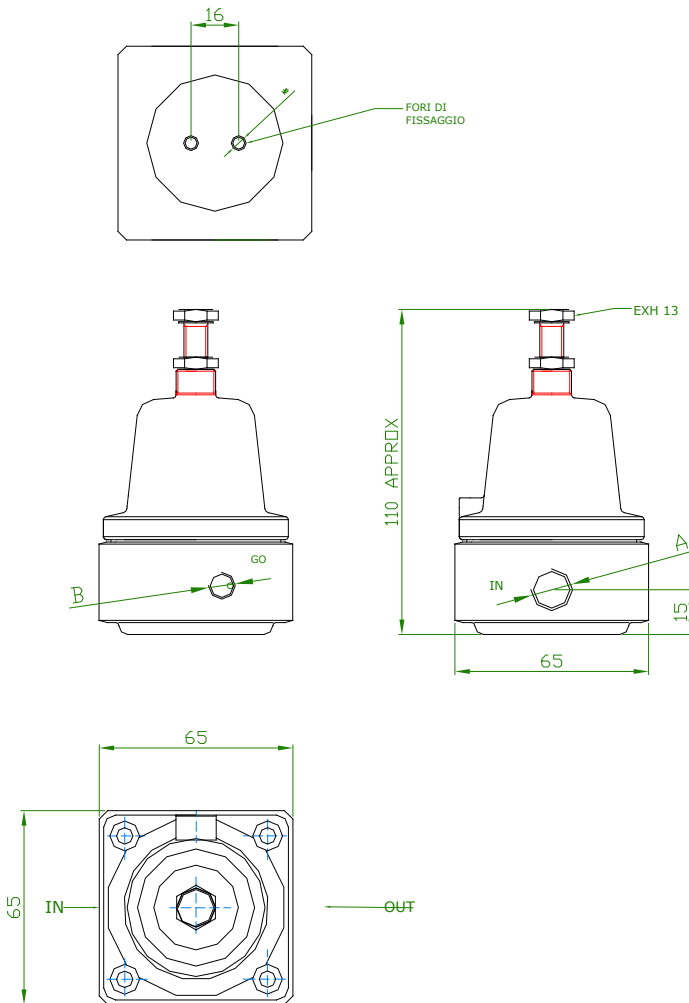
**Wall bracket**  
Staffa

**Pressure gauge**  
Manometro

**Special temperature range**  
Temperatura speciale

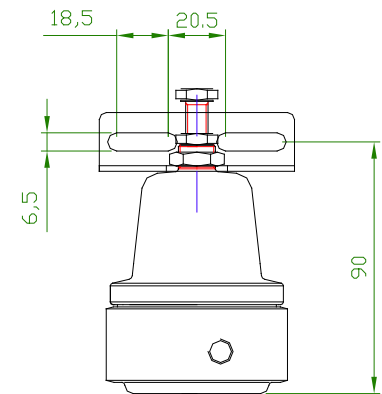
**Dimension**

Dimensioni





**Wall bracket dimension**



Dimensioni staffa



## Switching valve pneumatically operated - SV and S3 Series

Valvola di commutazione ad azionamento pneumatico - SERIE SV e S3

- AISI 316L construction
- Excellent accuracy
- Easy, accurate adjustment
- Different type of range
- 2/2 valve on off control
- 3/2 normally open switching valve
- ATEX 94/9/CE  II2GD c IICT6 X
-  approved

- Materiale di costruzione AISI 316
- Eccellente precisione
- Facile e precisa regolazione
- Differenti campi di regolazione
- Valvola 2/2 di controllo on off
- Valvola di commutazione 3/2 NA
- ATEX 94/9/CE  II2GD c IICT6 X
- Approvato 



The Types SV switching valves is a pneumatically operated and controlled units, built with a wide range of capabilities to handle those switching application that involve on-off control, and failure modes. Operation of valve occurs when the pneumatic signal changes accordingly to the spring range. The Sv model switching valve is typically used as a normally close on-off switch. The model S3 switching valve directs flow through three ports. With a choice of springs for optimum resolution, the switching point is set to a specific requirement by an adjusting screw placed on top of the cover.

La valvola di commutazione tipo SV è un dispositivo azionato e controllato pneumaticamente, costruito con un'ampia gamma di possibilità per controllare applicazioni di commutazione che coinvolgono il controllo on-off e le modalità guasto. Il funzionamento della valvola avviene quando il segnale pneumatico varia in funzione delle caratteristiche della molla utilizzata. La valvola di commutazione modello SV è utilizzata tipicamente come interruttore on-off normalmente chiuso. Il modello S3 consente il passaggio del flusso in tre connessioni. Con la possibilità di scegliere diverse molle per una risoluzione ottimale, il punto di commutazione è regolato per mezzo di una vite posta nella parte superiore del coperchio.

### Technical Data

Caratteristiche Tecniche

Port thread / Connessioni	1/4 NPT
Signal port / Connessioni segnale	1/8" /1/4" NPT
Body material / Materiali corpo Plastic materials / Materiali plastici	AISI 316 NBR
Maximum inlet pressure (psi) Pressione massima ingresso (bar)	120 8
Maximum signal (psi) Segnale Massimo (bar)	100 7
Control range (psi) Campo di regolazione (bar)	3-30 3-60 5-120 0.2-2 0.2-4 0.4-8
Temperature range / Temperatura	-20°C +80°C

**Option**

Opzioni

**Different control range**  
Differenti campi di controllo

**Panel mount**  
Montaggio pannello

**Wall bracket**  
Staffa

**Pressure gauge**  
Manometro

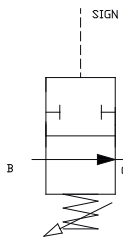
**Temperature range**  
Campi di Temperatura

**Valve and wall bracket dimension**

Dimensioni valvola e staffa di fissaggio

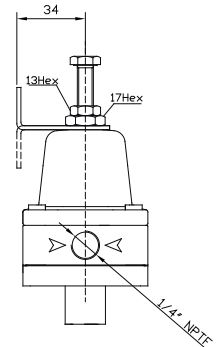
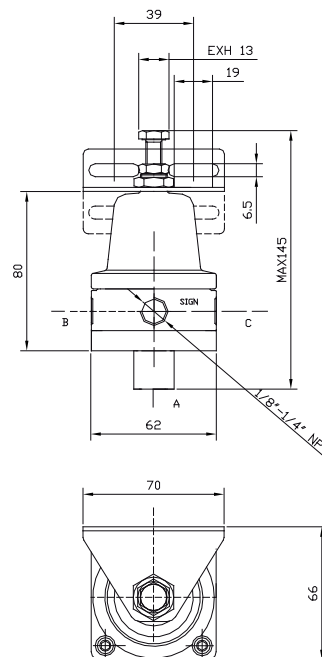
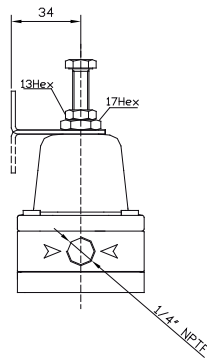
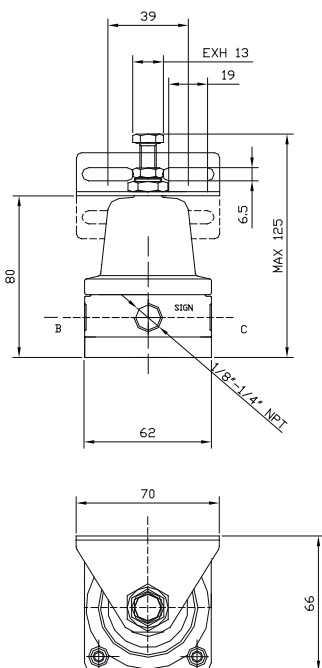
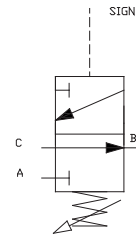
**Model SV**

Modello SV



**Model S3**

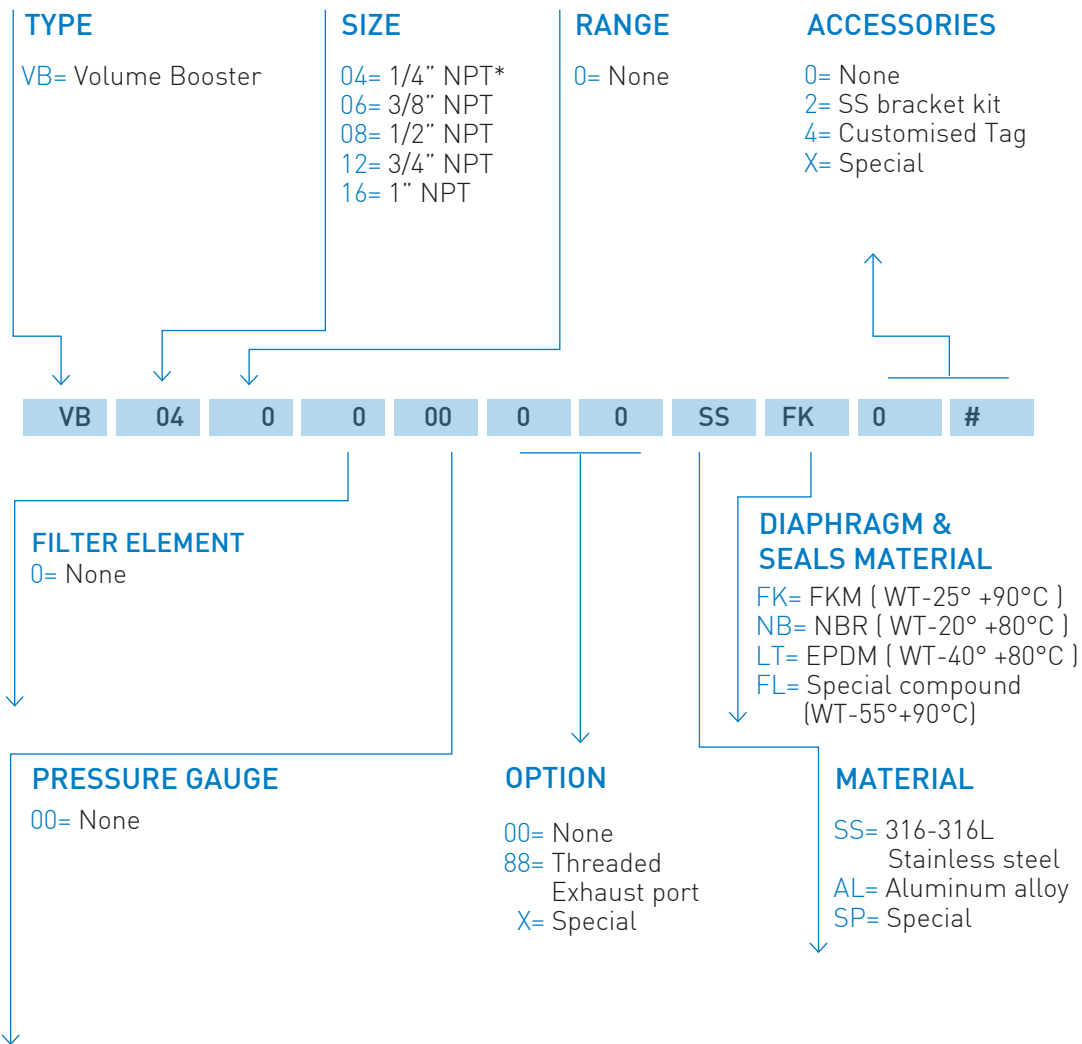
Modello S3



www.sitecna.eu

# Ordering information

## Come ordinare



### CODE EXAMPLES

VB	04	0	0	00	0	0	SS	FK	0	
----	----	---	---	----	---	---	----	----	---	--



**1/4"NPT, SS316L, Volume booster, with FKM diaphragm & seals, Cv 1.20, WT -20°C to 80°C**

Amplificatore di flusso da 1/4"NPT in AISI316L con diaframma e tenute in FKM, Cv 1.20, temperatura di lavoro da -20°C a +80°C

VB	08	0	0	00	8	8	AL	LT	0	
----	----	---	---	----	---	---	----	----	---	--



**1/2"NPT, Epoxy painted aluminium alloy + SS304 or 316L, volume booster with FKM diaphragm & seals, threaded exhaust, Cv 2.80, WT -25°C to +90°C**



Amplificatore di flusso da 1/2"NPT in Lega di alluminio con verniciatura epossidica + AISI304-316L con diaframma e tenute in EPDM, Cv 2.80, scarico filettato, temperatura di lavoro da -40°C a +80°C

BT-APCD/C14A





## Aluminium Alloy 1/4"-1/2" NPT Volume Booster – VB serie

Amplificatore di flusso da 1/4" -1/2" NPT in lega di alluminio – serie VB

- Suitable for automation equipment to onshore, offshore, pharmaceutical, medical and food applications
- Full material traceability
- Excellent stability and repeatability
- Accurate adjustment and high flow capacity
- Integral by-pass valve
- ATEX 94/9/CE  II2GD c IICT6 X
-  approved



- Adatto per automazione in applicazioni marine, petrolchimiche, farmaceutiche, medicali e alimentari
- Completa rintracciabilità dei materiali
- Eccellente stabilità e ripetibilità
- Precise regolazioni ed elevate portate
- Valvola di by-pass integrale
- ATEX 94/9/CE  II2GD c IICT6 X
- Approvato 

Media / Fluido	Compressed air, inert gases, sweet and sour gases
Port thread / Connessioni	1/4"-1/2" NPT
Signal Connection Connessione segnale	1/4" NPT
Max supply pressure Pressione massima di ingresso	10bar
Max signal/output pressure Pressione massima segnale/uscita	10bar
Flow rate (Cv)/Portata	Output 2.20 (1/4") ; 2.80 (1/2") Exhaust 2.80 (1/4") ; 2.80 (1/2")
Working temperature / Temperatura di esercizio	-20°C up to 80°C (NBR); -25°C up to 90°C (FKM); -40°C up to 80°C (EPDM) *
Linearity/Linearità	+/- 0.90 FS
In/Output pressure ratio Rapporto di pressione In/Out	1:1

Air supply must be dry enough to avoid ice formation at temperatures below +2°C (+35°F).

\*Special version available for -55°C up to 90°C

**It provides excellent regulation with high flow for a wide range of applications. Rugged and corrosion-resistant – made of aluminum alloy and SS AISI304/316 - Compact small package size – light weight /** Permette una regolazione accurata con grandi portate per una vasta gamma di applicazioni. Robusto e resistente alla corrosione – Costruito in lega di alluminio ed AISI304/316 - Dimensioni di ingombro ridotte – Leggero

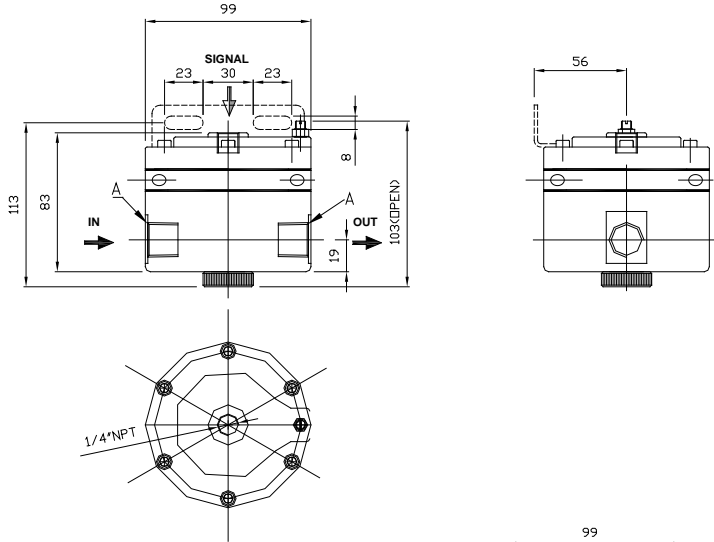
BUILDING MATERIALS	Materiali costruttivi
Body in epoxy painted aluminum alloy	Corpo in lega di alluminio con verniciatura epossidica
Adjustment screw, fixing screws in AISI316 stainless steel	Vite di regolazione, viti di fissaggio in acciaio inossidabile AISI316
Diaphragm and valve assembly in elastomer and AISI316 stainless steel	Assieme diaframma ed assieme valvola in elastomero ed acciaio inossidabile AISI316
Valve spring, Adjustment spring in AISI316 stainless steel or galvanized steel	Molle valvola e di regolazione in acciaio inossidabile AISI316
Seals in elastomer	Guarnizioni in elastomero

## Overall dimension

Dimensioni di ingombro

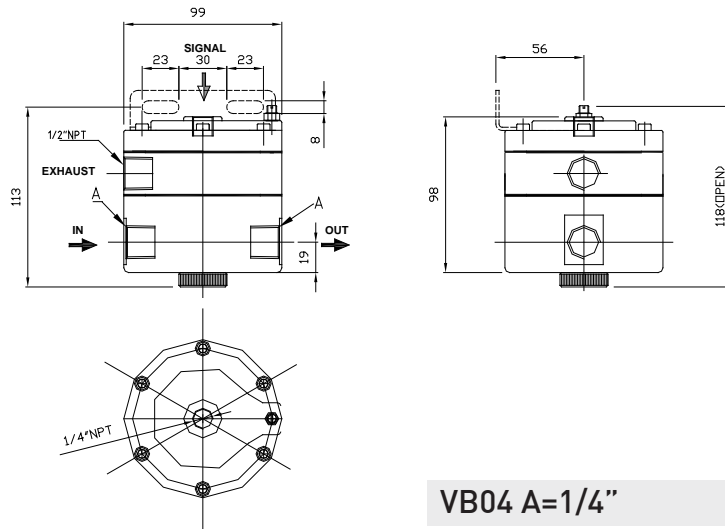
### Free Exhaust

Scarico libero



### Threaded exhaust port

Scarico convogliato



VB04 A=1/4"

VB08 A=1/2"

## Accessories and repair kit



Accessori e ricambi

Maintenance kit / Kit manutenzione	Items VB -04-K-XAL-** [1/4"] VB -08-K-XAL-** [1/2"]
Bracket and lock nut / Staffa e Dado	C0607-031



\*\* Refers to seals type:  
FK→FKM NB→NBR LT→EPDM FL→Low temperature Compound

## Aluminium Alloy 3/4"-1"NPT Volume Booster – VB serie

Amplificatore di flusso da 3/4" -1"NPT in lega di alluminio – serie VB

- Suitable for automation equipment to onshore, offshore, pharmaceutical, medical and food applications
- Full material traceability
- Excellent stability and repeatability
- Accurate adjustment and high flow capacity
- Integral by-pass valve
- ATEX 94/9/CE  II2GD c IICT6 X
-  approved



- Adatto per automazione in applicazioni marine, petrolchimiche, farmaceutiche, medicali e alimentari
- Completa rintracciabilità dei materiali
- Eccellente stabilità e ripetibilità
- Precise regolazioni ed elevate portate
- Valvola di by-pass integrale
- ATEX 94/9/CE  II2GD c IICT6 X
- Approvato 

Media / Fluido	Compressed air, inert gases, sweet and sour gases
Port thread / Connessioni	3/4"-1" NPT
Signal Connection Connessione segnale	1/4" NPT
Max supply pressure Pressione massima di ingresso	10bar
Max signal/output pressure Pressione massima segnale/uscita	10bar
Flow rate (Cv)/Portata	Output 5.60 (3/4") ; 9.50 (1") Exhaust 5.60 (3/4") ; 9.50 (1")
Working temperature / Temperatura di esercizio	-20°C up to 80°C (NBR); -25°C up to 90°C (FKM); -40°C up to 80°C (EPDM) *
Linearity/Linearità	+/- 1.00 FS
In/Output pressure ratio Rapporto di pressione In/Out	1:1

Air supply must be dry enough to avoid ice formation at temperatures below +2°C (+35°F).

**\*Special version available for -55°C up to 90°C**

**It provides excellent regulation with high flow for a wide range of applications. Rugged and corrosion-resistant – made of aluminum alloy and SS AISI304/316 - Compact small package size – light weight / Permette una regolazione accurata con grandi portate per una vasta gamma di applicazioni. Robusto e resistente alla corrosione – Costruito in lega di alluminio ed AISI304/316 - Dimensioni di ingombro ridotte – Leggero**

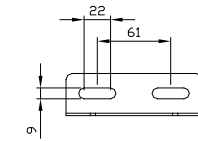
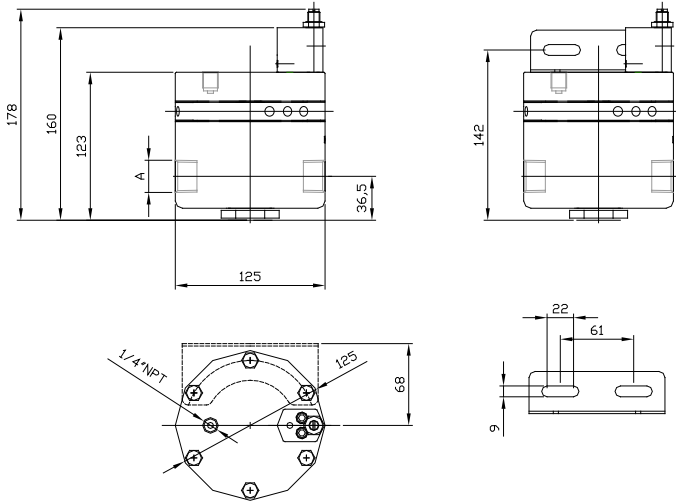
BUILDING MATERIALS	Materiali costruttivi
Body in epoxy painted aluminum alloy	Corpo in lega di alluminio con verniciatura epossidica
Adjustment screw, fixing screws in AISI316 stainless steel	Vite di regolazione, viti di fissaggio in acciaio inossidabile AISI316
Diaphragm and valve assembly in elastomer and AISI316 stainless steel	Assieme diaframma ed assieme valvola in elastomero ed acciaio inossidabile AISI316
Valve spring, Adjustment spring in AISI316 stainless steel	Molle valvola e di regolazione in acciaio inossidabile AISI316
Seals in elastomer	Guarnizioni in elastomero

www.sitecna.eu

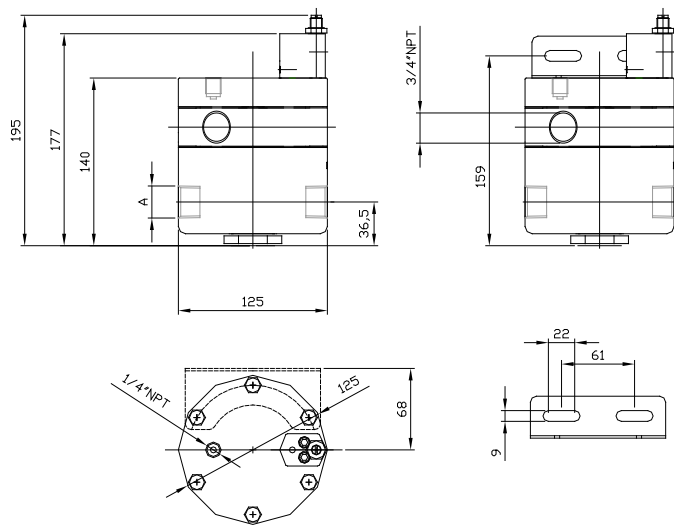
## Overall dimension

Dimensioni di ingombro

port  
Scarico libero



Threaded exhaust port  
Scarico convogliato



VB12 A=3/4"

VB16 A=1"

## Accessories and repair kit

Accessori e ricambi



Maintenance kit / Kit manutenzione	Items VB -12-K-XAL-** [3/4"] VB -16-K-XAL-** [1"]
Bracket and lock nut / Staffa e Dado	C0607-031

\*\* Refers to seals type:  
FK→FKM NB→NBR LT→EPDM FL→Low temperature Compound



BT-VB16AL/C14B

## SS316L 1/4"-1/2"NPT Volume Booster – VB serie

Amplificatore di flusso da 1/4" -1/2"NPT in AISI316L – serie VB

- Suitable for automation equipment to onshore, offshore, pharmaceutical, medical and food applications
- Full material traceability
- Excellent stability and repeatability
- Accurate adjustment and high flow capacity
- Integral by-pass valve
- ATEX 94/9/CE  II2GD c IICT6 X
-  approved



- Adatto per automazione in applicazioni marine, petrolchimiche, farmaceutiche, medicali e alimentari
- Completa rintracciabilità dei materiali
- Eccellente stabilità e ripetibilità
- Precise regolazioni ed elevate portate
- Valvola di by-pass integrale
- ATEX 94/9/CE  II2GD c IICT6 X
- Approvato 

Media / Fluido	Compressed air, inert gases, sweet and sour gases
Port thread / Connessioni	1/4"-1/2" NPT
Signal Connection Connessione segnale	1/4" NPT
Max supply pressure Pressione massima di ingresso	10bar
Max signal/output pressure Pressione massima segnale/uscita	10bar
Flow rate (Cv)/Portata	Output 2.20 (1/4") ; 2.80 (1/2") Exhaust 2.80 (1/4") ; 2.80 (1/2")
Working temperature / Temperatura di esercizio	-20°C up to 80°C (NBR); -25°C up to 90°C (FKM); -40°C up to 80°C (EPDM) *
Linearity/Linearità	+/- 0.90 FS
In/Output pressure ratio Rapporto di pressione In/Out	1:1

Air supply must be dry enough to avoid ice formation at temperatures below +2°C (+35°F).

**\*Special version available for -55°C up to 90°C**

**It provides excellent regulation with high flow for a wide range of applications. Rugged and corrosion-resistant – made in SS316L - Compact small package size – light weight**

Permette una regolazione accurata con grandi portate per una vasta gamma di applicazioni. Robusto e resistente alla corrosione – Costruito completamente in AISI316L - Dimensioni di ingombro ridotte – Leggero

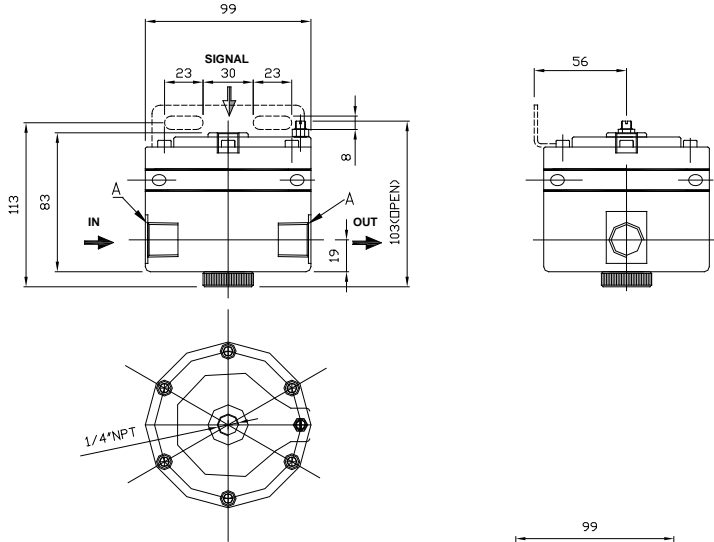
<b>BUILDING MATERIALS</b>	<b>Materiali costruttivi</b>
Body in SS316L	Corpo in AISI316L
Adjustment screw, fixing screws in AISI316 stainless steel	Vite di regolazione, viti di fissaggio in acciaio inossidabile AISI316
Diaphragm and valve assembly in elastomer and AISI316 stainless steel	Assieme diaframma ed assieme valvola in elastomero ed acciaio inossidabile AISI316
Valve spring, Adjustment spring in AISI316 stainless steel or galvanized steel	Molle valvola e di regolazione in acciaio inossidabile AISI316
Seals in elastomer	Guarnizioni in elastomero

## Overall dimension

Dimensioni di ingombro

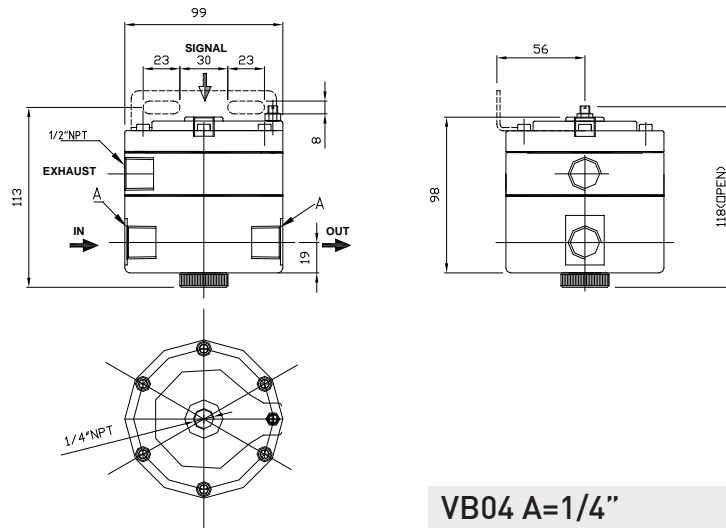
### Free Exhaust

Scarico libero



### Threaded exhaust port

Scarico convogliato



VB04 A=1/4"

VB08 A=1/2"

## Accessories and repair kit



Accessori e ricambi

Maintenance kit / Kit manutenzione	Items VB -04-K-XSS-** [1/4"] VB -08-K-XSS-** [1/2"]
Bracket and lock nut /Staffa e Dado	C0607-031



\*\* Refers to seals type:  
FK→FKM NB→NBR LT→EPDM FL→Low temperature Compound

## SS316L 3/4"-1"NPT Volume Booster – VB serie

Amplificatore di flusso da 3/4" -1"NPT in AISI316L – serie VB

- Suitable for automation equipment to onshore, offshore, pharmaceutical, medical and food applications
- Full material traceability
- Excellent stability and repeatability
- Accurate adjustment and high flow capacity
- Integral by-pass valve
- ATEX 94/9/CE  II2GD c IICT6 X
-  approved



- Adatto per automazione in applicazioni marine, petrolchimiche, farmaceutiche, medicali e alimentari
- Completa rintracciabilità dei materiali
- Eccellente stabilità e ripetibilità
- Precise regolazioni ed elevate portate
- Valvola di by-pass integrale
- ATEX 94/9/CE  II2GD c IICT6 X
- Approvato 

Media / Fluido	Compressed air, inert gases, sweet and sour gases
Port thread / Connessioni	3/4"-1" NPT
Signal Connection Connessione segnale	1/4" NPT
Max supply pressure Pressione massima di ingresso	10bar
Max signal/output pressure Pressione massima segnale/uscita	10bar
Flow rate (Cv)/Portata	Output 5.60 (3/4") ; 9.50 (1") Exhaust 5.60 (3/4") ; 9.50 (1")
Working temperature / Temperatura di esercizio	-20°C up to 80°C (NBR); -25°C up to 90°C (FKM); -40°C up to 80°C (EPDM) *
Linearity/Linearità	+/- 1.00 FS
In/Output pressure ratio Rapporto di pressione In/Out	1:1

Air supply must be dry enough to avoid ice formation at temperatures below +2°C (+35°F).

**\*Special version available for -55°C up to 90°C**

**It provides excellent regulation with high flow for a wide range of applications. Rugged and corrosion-resistant – made in SS316L - Compact small package size – light weight**

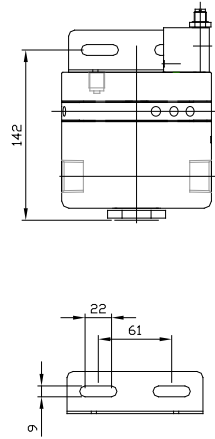
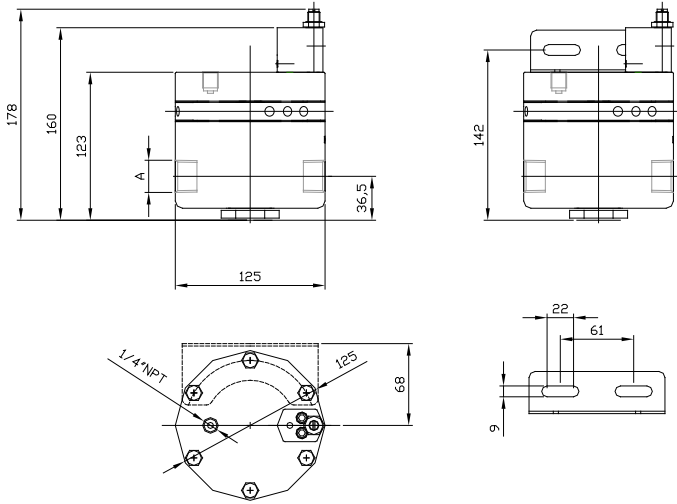
Permette una regolazione accurata con grandi portate per una vasta gamma di applicazioni. Robusto e resistente alla corrosione – Costruito completamente in AISI316L - Dimensioni di ingombro ridotte – Leggero

BUILDING MATERIALS	Materiali costruttivi
Body in SS316L	Corpo in AISI316L
Adjustment screw, fixing screws in AISI316 stainless steel	Vite di regolazione, viti di fissaggio in acciaio inossidabile AISI31
Diaphragm and valve assembly in elastomer and AISI316 stainless steel	Assieme diaframma ed assieme valvola in elastomero ed acciaio inossidabile AISI316
Valve spring, Adjustment spring in AISI316 stainless steel	Molle valvola e di regolazione in acciaio inossidabile AISI316
Seals in elastomer	Guarnizioni in elastomero

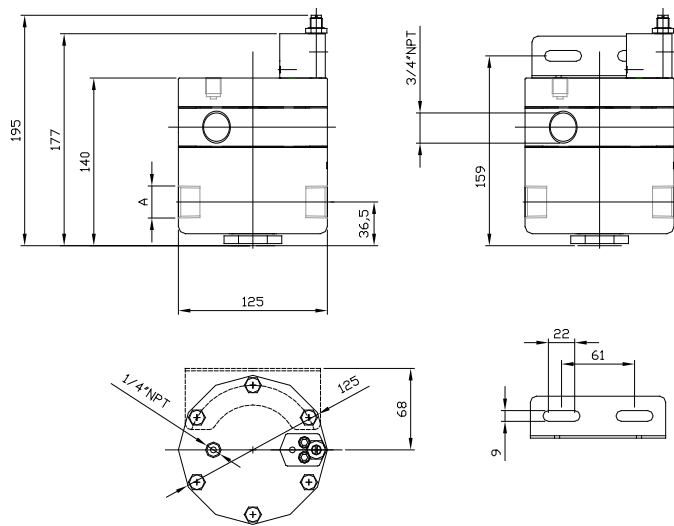
## Overall dimension

Dimensioni di ingombro

port  
Scarico libero



Threaded exhaust port  
Scarico convogliato



VB12 A=3/4"

VB16 A=1"

## Accessories and repair kit

Accessori e ricambi

Maintenance kit / Kit manutenzione	Items VB -12-K-XSS-** [3/4"] VB -16-K-XSS-** [1"]
Bracket and lock nut / Staffa e Dado	C0607-031

\*\* Refers to seals type:  
FK→FKM NB→NBR LT→EPDM FL→Low temperature Compound



## Section B – Control valves Sezione B – Valvole di controllo

**A complete range of balanced spool valves in AISI316L with air or mechanical acting for use with air or compatible gas**

- Stainless steel 316L complete construction
- Standard Sizes 1/4", 3/8", 1/2"
- Three (3/2) or five (5/2) ways
- Standard seals in NBR/FKM
- High flow features, DN8mm (1/4") or 12mm (1/2")
- Pneumatic acting
- Choice of standard or special mechanical acting
- Manual acting
- Max working pressure to 10bar
- Full material traceability
- Certifications to EN10204 3,1
- 100% Italian production
- 100% Tested
- ATEX and EAC certified range



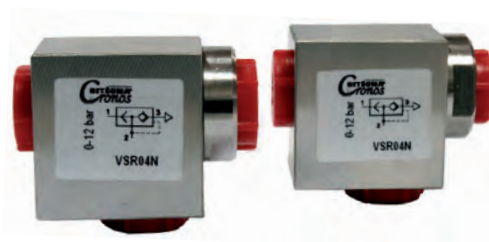
**Una gamma di valvole di controllo a cassetto bilanciato in AISI316L a comando pneumatico o meccanico per uso con aria o gas compatibili**



- Costruzione completamente in AISI316L
- Connessioni std da 1/4", 3/8" e 1/2"
- Versioni a tre (3/2) o cinque (5/2) vie
- Tenute std in NBR/FKM
- Elevate portate, 8mm passaggio (1/4") o 12mm passaggio (1/2")
- Azionamento pneumatico
- Varietà di azionamenti meccanici standard o speciali
- Azionamento manuale
- Pressioni di utilizzo 10BAR
- Completa rintracciabilità di tutti i componenti
- Certificati EN10204 3,1
- Produzione 100% italiana
- Collaudo al 100%
- Certificati ATEX e EAC

## A complete range of uni or bi directional flow regulators, Quick exhaust valves in AISI316L for use with air or gas

- Stainless steel 316L complete construction
- Standard Sizes 1/4", 3/8", 1/2", 3/4", 1"
- Standard seals in NBR, FKM, PU, Silicone
- Max working pressure to 12bar
- Full material traceability
- Certifications to EN10204 3,1, ATEX, EAC
- 100% Italian production
- 100% Tested



Quick exhaust valves

## Una gamma di Regolatori di flusso uni e bi direzionali, Valvole di scarico rapido in AISI316 per uso con aria o gas

- Costruzione completamente in AISI316L
- Connessioni std da 1/4", 3/8", 1/2", 3/4" e 1"
- Tenute std in NBR, FKM, PU, Silicone
- Elevate portate
- Pressioni di utilizzo 12BAR
- Completa rintracciabilità di tutti i componenti
- Certificati EN10204 3,1, ATEX, EAC
- Produzione 100% italiana
- Collaudo al 100%



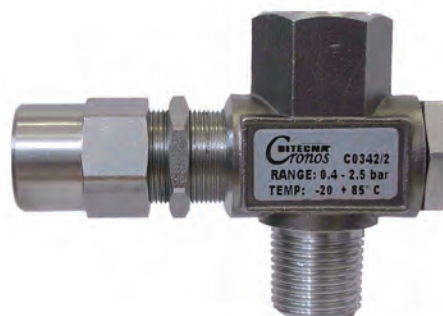
Uni directional flow regulator

## Overload protectors in AISI316L for use with air or gas or liquid

- Stainless steel 316L complete construction
- Standard Sizes 1/2" male x female
- Standard seals in NBR, FKM, EPDM
- Max working pressure to 400bar
- Full material traceability
- Certifications to EN10204 3,1. ATEX, EAC
- 100% Italian production
- 100% Tested

## Limitatori di pressione in AISI316 per uso con aria o gas o liquidi

- Costruzione completamente in AISI316L
- Connessioni std da 1/2" maschio femmina
- Tenute std in NBR, FKM, EPDM
- Affidabilità di funzionamento
- Pressioni di utilizzo da 2 a 400BAR
- Completa rintracciabilità di tutti i componenti
- Certificati EN10204 3,1, ATEX, EAC
- Produzione 100% italiana
- Collaudo al 100%



Overload protectors

## A complete range of single or double lock-up valves in aluminum alloy or AISI316L for use with air or compatible gas

- Copper free aluminum alloy or Stainless steel 316L complete construction
- Standard Size 1/4"
- Single or double lock-up valve
- Standard seals and diaphragms in NBR, EPDM, FKM, FVQM, Special compound
- Max working pressure to 10BAR - 12BAR
- Sensibility 0.1 BAR
- Temperature range from -55°C to +90°C
- Full material traceability
- Certifications to EN10204 3,1
- ATEX and EAC certified range
- 100% Italian production
- 100% Tested

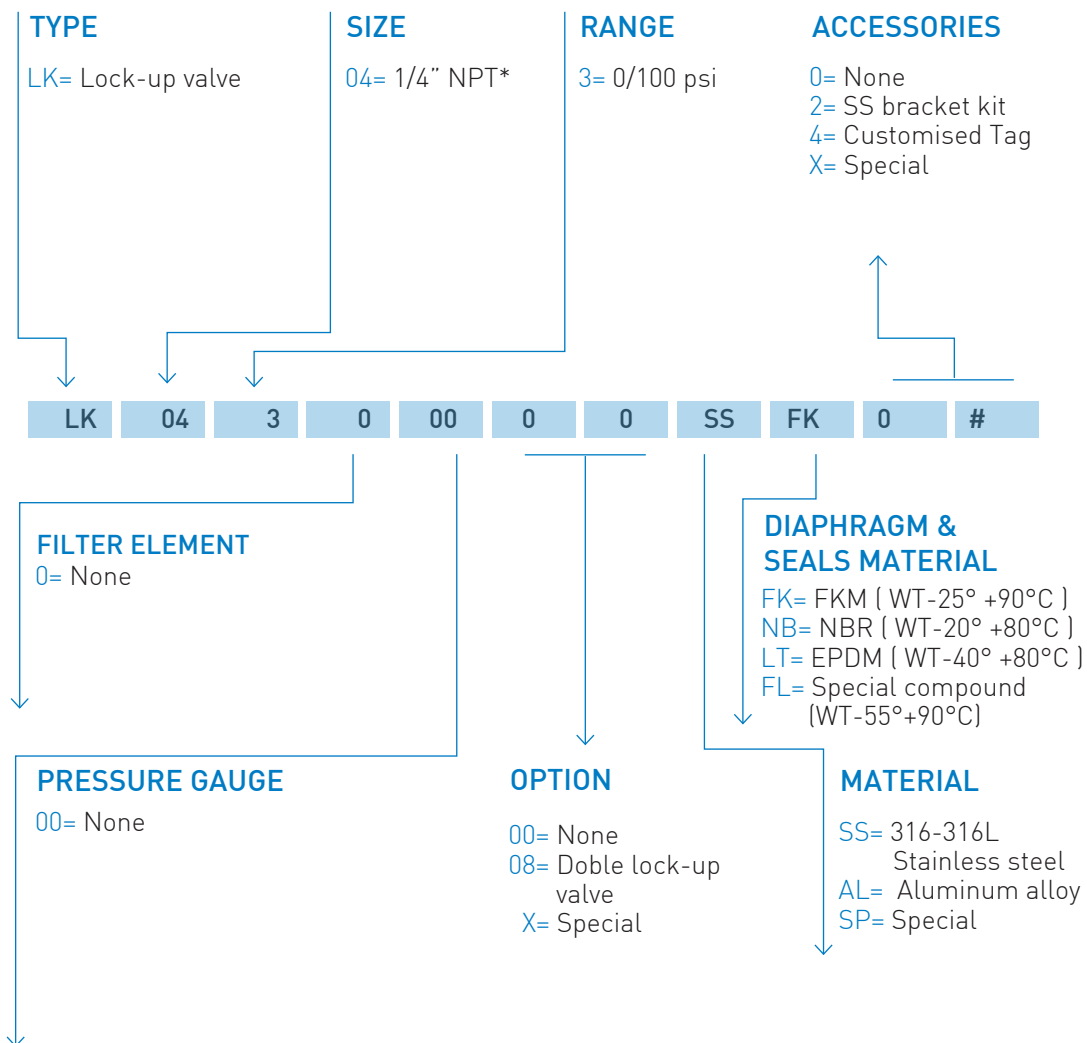


## Una gamma di valvole di lock-up singole o doppie in alluminio esente rame o in AISI316L per uso con aria o gas

- Costruzione completamente in alluminio esente rame o AISI316L
- Connessioni std da 1/4"
- Valvola di lock-up singola o doppia
- Tenute e diaframmi std in NBR, EPDM, FKM, FVMQ, mescole speciali
- Pressione di utilizzo massima 10BAR - 12BAR
- Sensibilità 0.1 BAR
- Temperatura di utilizzo da -55°C a +90°C
- Completa rintracciabilità di tutti i materiali
- Certificati EN10204 3,1
- Certificati ATEX e EAC
- Produzione 100% italiana
- Collaudo al 100%

# Ordering information

Come ordinare



## CODE EXAMPLES

LK	04	3	0	00	0	0	SS	FK	2	
----	----	---	---	----	---	---	----	----	---	--

**1/4"NPT, SS316L, Single Lock up valve, with FKM diaphragm & seals, Cv0.9, WT -25°C to 90°C, with SS bracket**

Valvola di lock-up singola da 1/4"NPT in AISI316L con diaframma e tenute in FKM, Cv 0.9, temperatura di lavoro da -25°C a +90°C, con staffa inox

LK	04	3	0	00	0	8	AL	LT	0	
----	----	---	---	----	---	---	----	----	---	--

**1/4"NPT, Epoxy painted aluminium alloy + SS304 or 316L, Double lock up valve with EPDM diaphragm & seals, CV 0.9, WT -40°C to +80°C**

Valvola di lock-up doppia da 1/4"NPT in lega di alluminio con verniciatura epossidica + AISI304-316L con diaframma e tenute in EPDM, Cv 0.9, temperatura di lavoro da -40°C a +80°C



BT-CVCD/C14A

## Section B – Control valves Sezione B – Valvole di controllo

### SS316L Air & Mechanical acting directional control spool valves

Valvole di controllo a cassetto ad azionamento pneumo-meccanico in AISI316L

1/4", 3/8", 1/2" – AISI316L  
3/2, 5/2



### Aluminium alloy or stainless steel 316L lock-up valve

Valvole di lock-up in lega di alluminio o in AISI316L

1/4" NPT  
Single-Double Lock-up-Lock-up Singolo - Doppio



### Stainless steel 316L Quick exhaust valves

Valvole di scarico rapido in AISI316L

1/8", 1/4", 3/8", 1/2", 3/4"



### Stainless steel 316L overload protectors

Limitatori di pressione in AISI316L

1/2" NPT M/F – AISI316L



### Stainless steel 316L flow regulators



Regolatori di flusso in AISI316L

1/8", 1/4", 3/8", 1/2"  
Uni-Bi directional – Uni-Bi direzionali





## AISI316L Air & Mechanical Acting directional control Spool Valves - DP serie

Valvole controllo direzione a cassetto ad azionamento pneumatico o meccanico in AISI316L

- 3/2 or 5/2 Functions
- 1/4" - 3/8" (DN8mm) & 1/2" - 3/4" (DN12mm) size
- Compact size
- Suitable for multidirectional flow
- Provided with through-holes in the body
- Suitable for dual pressure application
- Full construction in 316L stainless steel
- Standard NPT threads
- Suitable for control and instrument gases
- High flow rate for the compact size of the valve
- Complete material traceability
- ATEX 94/9/CE  II2GD c IICT6 X
-  approved



- Funzioni 3/2 e 5/2
- Taglie da 1/4" - 3/8" (DN 8mm) e da 1/2" - 3/4" (DN12mm)
- Dimensioni compatte
- Adatte per flussi multidirezionali
- Dotate di fori passanti sul corpo
- Adatte per applicazioni con doppia pressione
- Componenti costruttivi in AISI316L
- Filettature NPT standard
- Idonee per gas di controllo e strumentale
- Alte portate per le dimensioni compatte della valvola
- Completa rintracciabilità dei materiali
- ATEX 94/9/CE  II2GD c IICT6 X
- Approvato 

### Technical features:

Caratteristiche tecniche:

- Fluid : air and compatible gases
- Working pressure : -0.9 -10 bar
- Operating pressure : 2.5 bar
- Working temperature : -20°C/+90°C
- Orifice : dn 8 mm (1/4") ; dn 12 mm (1/2")
- Fluido : aria e gas compatibili
- Pressione di lavoro : -0,9 - 10 bar
- Pressione di azionamento : 2.5 bar
- Temperatura di lavoro : -20°C/+90°C
- Orifizio : dn 8 mm (1/4") ; dn 12 mm (1/2")

### Materials:

Materiali:

- Body, end adapters, spool in 316L stainless steel
- Screws and springs in stainless steel
- Gasket and seals in synthetic rubber
- Corpo, adattatori terminali e spola in AISI316L
- Viti e molle in acciaio inossidabile
- Guarnizioni e tenute in gomma sintetica

### Alternative model

Modelli alternativi

- Manual reset
- Key operator
- ISO threads
- Reset manuale
- Key operator
- Filettature ISO

**3/2 – 1/4" BODY - 3/2 – CORPO 1/4"**

SIZE CONNESSIONI	FUNCTION FUNZIONE	OPERATOR AZIONAMENTO	RETURN RIPOSIZIONAMENNT0	MODEL MODELLO
1/4" NPT	3/2	Pilot /Pneumatico	Spring / Molla	DP32SS04N
1/4" NPT	3/2	Pilot /Pneumatico	Pilot /Pneumatico	DPP32SS04N
1/4" NPT	3/2	Knob / Pulsante Palmo	Spring / Molla	DP32SS04N-M1
1/4" NPT	3/2	Knob / Pulsante Palmo	Knob / Pulsante Palmo	DP32SS04N-M2

**3/2 – 1/2" BODY- 3/2 – CORPO 1/2"**

SIZE CONNESSIONI	FUNCTION FUNZIONE	OPERATOR AZIONAMENTO	RETURN RIPOSIZIONAMENNT0	MODEL MODELLO
3/8" NPT	3/2	Pilot /Pneumatico	Spring / Molla	DP32SS06N
3/8" NPT	3/2	Pilot /Pneumatico	Pilot /Pneumatico	DPP32SS06N
3/8" NPT	3/2	Knob / Pulsante Palmo	Spring / Molla	DP32SS06N-M1
3/8" NPT	3/2	Knob / Pulsante Palmo	Knob / Pulsante Palmo	DP32SS06N-M2
1/2" NPT	3/2	Pilot /Pneumatico	Spring / Molla	DP32SS08N
1/2" NPT	3/2	Pilot /Pneumatico	Pilot /Pneumatico	DPP32SS08N
1/2" NPT	3/2	Knob / Pulsante Palmo	Spring / Molla	DP32SS08N-M1
1/2" NPT	3/2	Knob / Pulsante Palmo	Knob / Pulsante Palmo	DP32SS08N-M2
3/4" NPT	3/2	Pilot /Pneumatico	Spring / Molla	DP32SS12N
3/4" NPT	3/2	Pilot /Pneumatico	Pilot /Pneumatico	DPP32SS12N
3/4" NPT	3/2	Knob / Pulsante Palmo	Spring / Molla	DP32SS12N-M1
3/4" NPT	3/2	Knob / Pulsante Palmo	Knob / Pulsante Palmo	DP32SS12N-M2

**5/2 – 1/4" BODY - 5/2 – CORPO 1/4"**

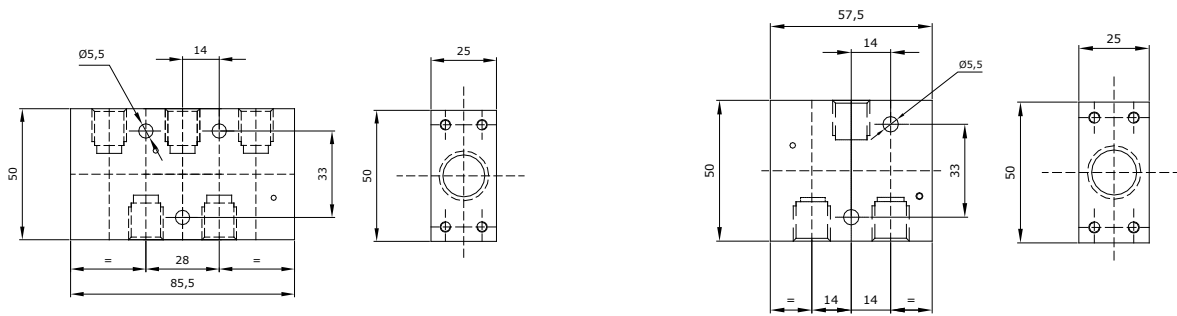
SIZE CONNESSIONI	FUNCTION FUNZIONE	OPERATOR AZIONAMENTO	RETURN RIPOSIZIONAMENNT0	MODEL MODELLO
1/4" NPT	5/2	Pilot /Pneumatico	Spring / Molla	DP52SS04N
1/4" NPT	5/2	Pilot /Pneumatico	Pilot /Pneumatico	DPP52SS04N
1/4" NPT	5/2	Knob / Pulsante Palmo	Spring / Molla	DP52SS04N-M1
1/4" NPT	5/2	Knob / Pulsante Palmo	Knob / Pulsante Palmo	DP52SS04N-M2

**5/2 – 1/2" BODY - 5/2 – CORPO 1/2"**

SIZE CONNESSIONI	FUNCTION FUNZIONE	OPERATOR AZIONAMENTO	RETURN RIPOSIZIONAMENNT0	MODEL MODELLO
3/8" NPT	5/2	Pilot /Pneumatico	Spring / Molla	DP52SS06N
3/8" NPT	5/2	Pilot /Pneumatico	Pilot /Pneumatico	DPP52SS06N
3/8" NPT	5/2	Knob / Pulsante Palmo	Spring / Molla	DP52SS06N-M1
3/8" NPT	5/2	Knob / Pulsante Palmo	Knob / Pulsante Palmo	DP52SS06N-M2
1/2" NPT	5/2	Pilot /Pneumatico	Spring / Molla	DP52SS08N
1/2" NPT	5/2	Pilot /Pneumatico	Pilot /Pneumatico	DPP52SS08N
1/2" NPT	5/2	Knob / Pulsante Palmo	Spring / Molla	DP52SS08N-M1
1/2" NPT	5/2	Knob / Pulsante Palmo	Knob / Pulsante Palmo	DP52SS08N-M2
3/4" NPT	5/2	Pilot /Pneumatico	Spring / Molla	DP52SS12N
3/4" NPT	5/2	Pilot /Pneumatico	Pilot /Pneumatico	DPP52SS12N
3/4" NPT	5/2	Knob / Pulsante Palmo	Spring / Molla	DP52SS12N-M1
3/4" NPT	5/2	Knob / Pulsante Palmo	Knob / Pulsante Palmo	DP52SS12N-M2

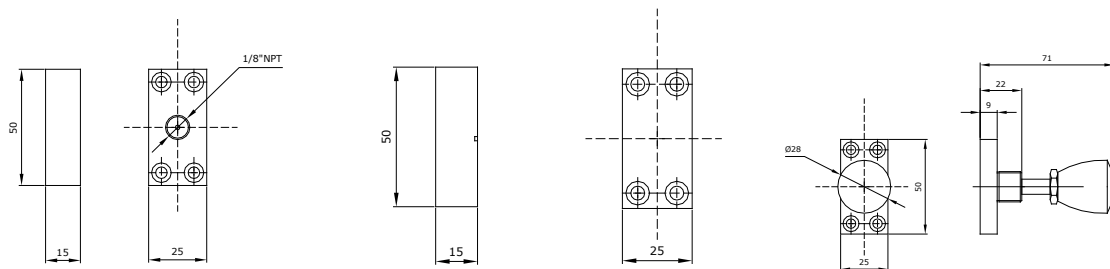
## 1/4" 5/2 & 3/2 Body dimension

Dimensioni 5/2 e 3/2 1/4"



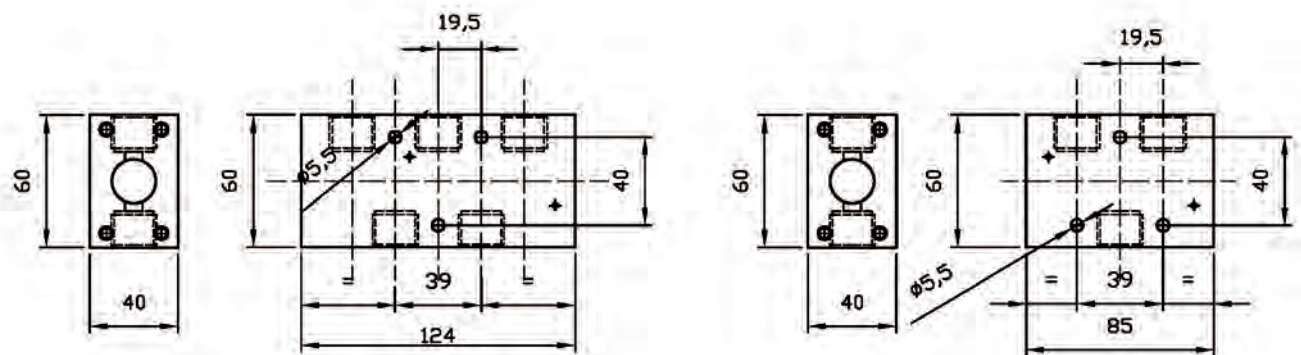
## Pilot, spring & manual operator

Azionamenti pneumatici, molla e manuali



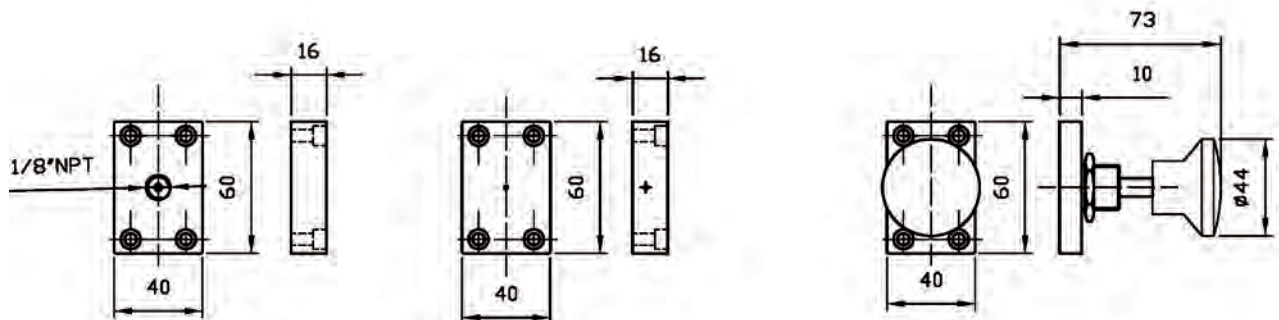
## 1/2" 5/2 & 3/2 Body dimension

Dimensioni corpo 5/2 e 3/2 1/2"



## Pilot, spring & manual operator



Azionamenti pneumatici, molla e manuali





## AISI316L Directional control Spool Valves Manual Reset - DP serie

Valvole controllo direzione a cassetto a reset manuale in AISI316L - serie DP

- 3/2 or 5/2 Functions
- 1/4" (DN5mm)
- Compact size
- Suitable for multidirectional flow
- Provided with through-holes in the body
- Suitable for dual pressure application
- Full construction in 316L stainless steel
- Standard NPT threads
- Suitable for control and instrument gases
- High flow rate for the compact size of the valve
- Complete material traceability
- ATEX 94/9/CE  II2GD c IICT6 X
-  approved



- Funzioni 3/2 e 5/2
- Taglie da 1/4" (DN5mm)
- Dimensioni compatte
- Adatte per flussi multidirezionali
- Dotate di fori passanti sul corpo
- Adatte per applicazioni con doppia pressione
- Componenti costruttivi in AISI316L
- Filettature NPT standard
- Idonee per gas di controllo e strumentale
- Alte portate per le dimensioni compatte della valvola
- Completa rintracciabilità dei materiali
- ATEX 94/9/CE  II2GD c IICT6 X
- Approvato 

### Technical features:

Caratteristiche tecniche:

- |  |  |
|--|--|
| <ul style="list-style-type: none"> <li>• Fluid : air and compatible gases</li> <li>• Working pressure : -0.9 –10 bar</li> <li>• Operating pressure : 3 bar</li> <li>• Working temperature : -20°c/+90°c</li> <li>• Orifice : dn 6 mm (1/4")</li> </ul> | <ul style="list-style-type: none"> <li>• Fluido : aria e gas compatibili</li> <li>• Pressione di lavoro : -0,9 – 10 bar</li> <li>• Pressione di azionamento : 2,5 bar</li> <li>• Temperatura di lavoro : -20°c/+90°c</li> <li>• Orifizio : dn 6 mm (1/4")</li> </ul> |
|--|--|

### Materials:

Materiali:

- |  |  |
|--|--|
| <ul style="list-style-type: none"> <li>• Body, end adapters, spool in 316L stainless steel</li> <li>• Screws and springs in stainless steel</li> <li>• Gasket and seals in synthetic rubber FKM</li> </ul> | <ul style="list-style-type: none"> <li>• Corpo, adattatori terminali e spola in AISI316L</li> <li>• Viti e molle in acciaio inossidabile</li> <li>• Guarnizioni e tenute in gomma sintetica FKM</li> </ul> |
|--|--|

### Alternative model

Modelli alternativi

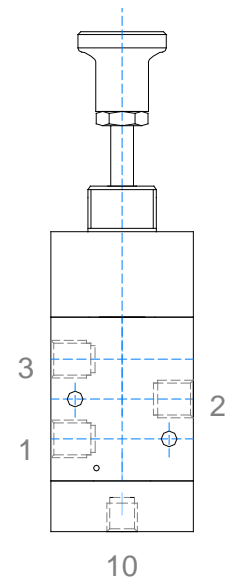
- |   |   |
|---|---|
| <ul style="list-style-type: none"> <li>• Key operator</li> <li>• ISO threads</li> </ul> | <ul style="list-style-type: none"> <li>• Key operator</li> <li>• Filettature ISO</li> </ul> |
|---|---|

## Automatic operation

Funzionamento automatico

In the absence of a pilot signal 10, the valve joins together the connections 3 and 2, shutting off the connection 1. When the pilot signal acts upon the piston and moves the spindle to the end of the stroke, the connections 1 and 2 are joined together, while connection 3 is shut off. When the signal pilot ceases, a spring brings back the spindle to its initial position and the initial configuration is restored.

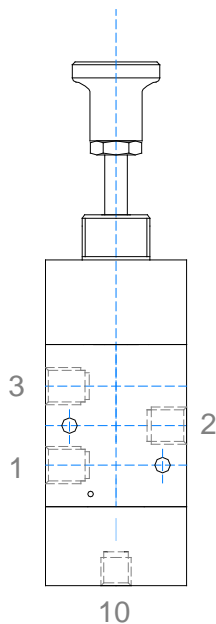
In assenza di segnale-pilota 10 la valvola pone in comunicazione gli attacchi 3 e 2 intercettando la connessione 1. Quando il segnale pilota agisce sul pistone e sposta la spoletta a fine corsa, sono posti in comunicazione gli attacchi 1 e 2 mentre l'attacco 3 è intercettato. Al cessare del segnale pilota, la molla spinge la spoletta nella posizione iniziale e ripristina la configurazione di partenza.



Pilot 3/2  
Pneumatico 3/2

## Operation with manual reset

Funzionamento con riarmo manuale



Manual Reset 3/2  
Riarmo manuale 3/2

The configuration is the same as in automatic operation, except that the presence of an actuating end caps with a piston prevents the action of the pilot signal without a previous manual reset by the operator. When the pilot signal is present at connection 10, the operator permits it to pass through by pulling the knob. The piston then moves the spindle to the end of the stroke, joining together the connections 1 and 2. When the pilot signal ceases, a spring brings back the spindle to its initial position, thus joining together the connections 2 and 3.

La configurazione è la stessa del funzionamento automatico ma la testata di azionamento con un pistone impedisce al segnale-pilota di agire senza l'intervento manuale dell'operatore. Quando il segnale pilota è presente all'attacco 10 e l'operatore, agendo sul pomolo, ne consente il transito, il pistone sposta la spoletta a fine corsa mettendo in comunicazione gli attacchi 1 e 2. Al cessare del segnale-pilota, la molla spinge la spoletta nella posizione iniziale mettendo in comunicazione gli attacchi 2 e 3.

**3/2 - 1/4" BODY** - 3/2 - CORPO 1/4"

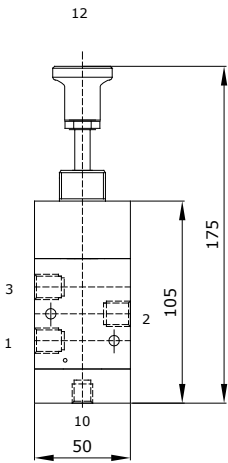
SIZE CONNESSIONI	FUNCTION FUNZIONE	OPERATOR AZIONAMENTO	RETURN RIPOSIZIONAMENNTTO	MODEL MODELLO
1/4" NPT	3/2	Pilot /Pneumatico	Spring / Molla	DP32SS04N-RM1
1/4" NPT	3/2	Pilot & manual / Pneumatico e manuale	Spring / Molla	DPP32SS04N-RM

**5/2 - 1/4" BODY** - 5/2 - CORPO 1/4"

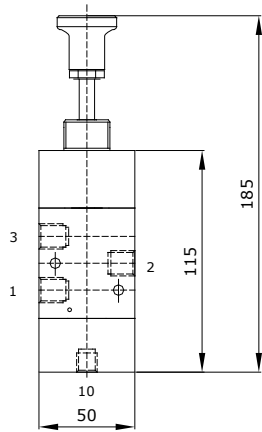
SIZE CONNESSIONI	FUNCTION FUNZIONE	OPERATOR AZIONAMENTO	RETURN RIPOSIZIONAMENNTTO	MODEL MODELLO
1/4" NPT	5/2	Pilot /Pneumatico	Spring / Molla	DP52SS04N-RM1
1/4" NPT	5/2	Pilot & manual / Pneumatico e manuale	Spring / Molla	DPP52SS04N-RM

**Overall dimension**

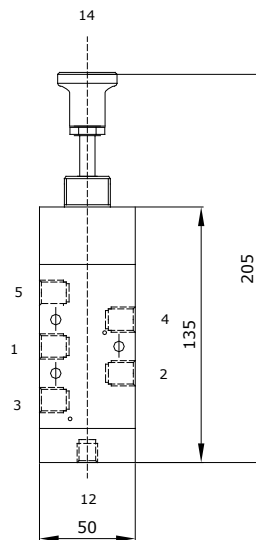
Dimensioni di ingombro



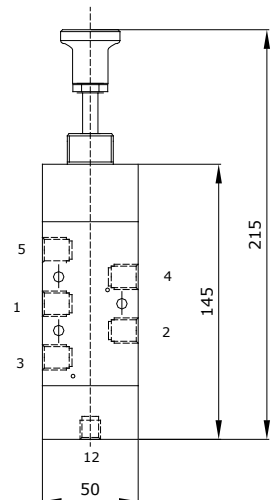
Pilot 3/2  
Pneumatico 3/2



Manual Reset 3/2  
Riarmo manuale 3/2



Pilot 5/2  
Pneumatico 5/2



Manual Reset 5/2  
Riarmo manuale 5/2

## Aluminium Alloy 1/4" NPT Lock-up Valves – LK serie

Valvole di Lock-up da 1/4" NPT in lega di alluminio – serie LK

www.sitecna.eu

- Suitable for automation equipment to onshore, offshore, pharmaceutical, medical and food applications
- Full material traceability
- Excellent stability and repeatability
- Accurate adjustment and high flow capacity
- Single or double locking possibility
- ATEX 94/9/CE II2GD c IICT6 X
- approved



- Adatto per automazione in applicazioni marine, petrolchimiche, farmaceutiche, medicali e alimentari
- Completa rintracciabilità dei materiali
- Eccellente stabilità e ripetibilità
- Precise regolazioni ed elevate portate
- Possibilità di blocco singolo o doppio
- ATEX 94/9/CE II2GD c IICT6 X
- Approvato

Media / Fluido	Compressed air, inert gases, sweet and sour gases
Port thread / Connessioni	1/4" NPT
Signal Connection Connessione segnale	1/4" NPT
Max supply pressure Pressione massima di ingresso	10bar
Max signal/output pressure Pressione massima segnale/uscita	7bar
Flow rate (Cv)/Portata	0.9 (1/4")
Working temperature / Temperatura di esercizio	-20°C up to 80°C (NBR); -25°C up to 90°C (FKM); -40°C up to 80°C (EPDM) *
Sensibility/Sensibilità	0.1bar
Max Lock up pressure Massima pressione di intervento	7bar

Air supply must be dry enough to avoid ice formation at temperatures below +2°C (+35°F).

\*Special version available for -55°C up to 90°C

It provides reliable shut down & isolation from control devices of the actuator whenever air pressure falls below operating safety point. Rugged and corrosion-resistant – made of aluminum alloy and SS AISI304/316 - Compact small package size – light weight / Permette affidabile intercettazione ed esclusione dell'attuatore quando la pressione dell'aria scende al di sotto del livello minimo operativo. Robusto e resistente alla corrosione – Costruito lega di alluminio ed AISI304/316 - Dimensioni di ingombro ridotte – Leggero

BUILDING MATERIALS	Materiali costruttivi
Body in epoxy painted aluminum alloy or SS316L	Corpo in lega di alluminio con verniciatura epossidica
Adjustment screw, fixing screws in AISI316 stainless steel	Vite di regolazione, viti di fissaggio in acciaio inossidabile AISI316
Diaphragm and valve assembly in elastomer and AISI316 stainless steel	Assieme diaframma ed assieme valvola in elastomero ed acciaio inossidabile AISI316
Valve spring, Adjustment spring in AISI316 stainless steel	Molle valvola e di regolazione in acciaio inossidabile AISI316
Seals in elastomer	Guarnizioni in elastomero

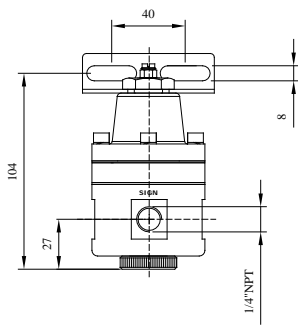
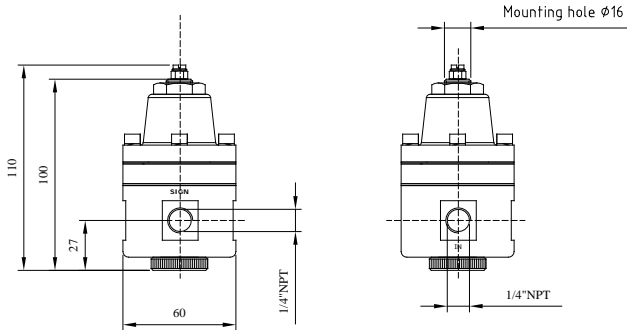
BT-LKAL/C14A

## Overall dimension

Dimensioni di ingombro

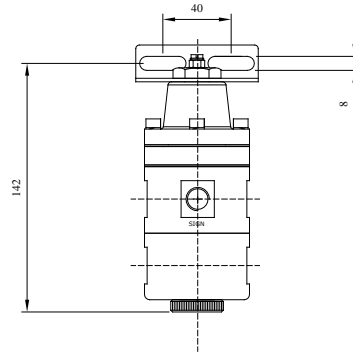
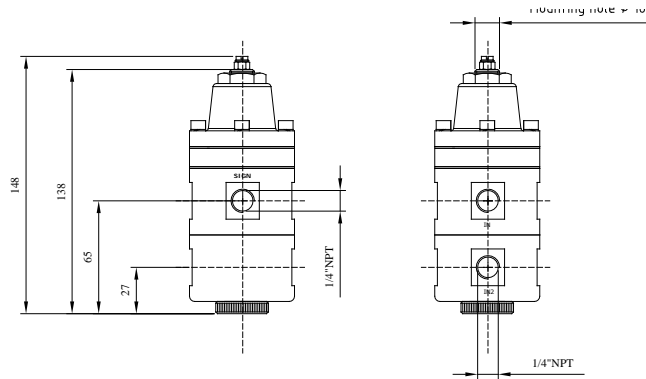
### Single Lock-up valve

Valvola di Lock-up singola



### Double Lock-up valve

Valvola di Lock-up doppia



LK4 A=1/4"

## Accessories and repair kit

Accessori e ricambi

Maintenance kit / Kit manutenzione	Items LK -04-K-XAL** [1/4"]
Bracket and lock nut / Staffa e Dado	SQ-FR04

\*\* Refers to seals type:  
FK→FKM NB→NBR LT→EPDM FL→Low temperature Compound

www.sitecna.eu

## SS316L 1/4" NPT Lock-up Valves – LK serie

Valvole di Lock-up da 1/4" NPT in AISI316L – serie LK

- Suitable for automation equipment to onshore, offshore, pharmaceutical, medical and food applications
- Full material traceability
- Excellent stability and repeatability
- Accurate adjustment and high flow capacity
- Single or double locking possibility
- ATEX 94/9/CE Ex II2GD c IICT6 X
- approved



- Adatto per automazione in applicazioni marine, petrolchimiche, farmaceutiche, medicali e alimentari
- Completa rintracciabilità dei materiali
- Eccellente stabilità e ripetibilità
- Precise regolazioni ed elevate portate
- Possibilità di blocco singolo o doppio
- ATEX 94/9/CE Ex II2GD c IICT6 X
- Approvato

<b>Media / Fluido</b>	<b>Compressed air, inert gases, sweet and sour gases</b>
<b>Port thread / Connessioni</b>	<b>1/4" NPT</b>
<b>Signal Connection</b> Connessione segnale	<b>1/4" NPT</b>
<b>Max supply pressure</b> Pressione massima di ingresso	<b>10bar</b>
<b>Max signal/output pressure</b> Pressione massima segnale/uscita	<b>7bar</b>
<b>Flow rate (Cv)/Portata</b>	<b>0.9 (1/4")</b>
<b>Working temperature /</b> Temperatura di esercizio	<b>-20°C up to 80°C (NBR); -25°C up to 90°C (FKM); -40°C up to 80°C (EPDM) *</b>
<b>Sensibility/Sensibilità</b>	<b>0.1bar</b>
<b>Max Lock up pressure</b> Massima pressione di intervento	<b>7bar</b>

Air supply must be dry enough to avoid ice formation at temperatures below +2°C (+35°F).

**\*Special version available for -55°C up to 90°C**

**It provides reliable shut down & isolation from control devices of the actuator whenever air pressure falls below operating safety point. Rugged and corrosion-resistant – made in SS316L - Compact small package size – light weight /** Permette affidabile intercettazione ed esclusione dell'attuatore quando la pressione dell'aria scende al di sotto del livello minimo operativo. Robusto e resistente alla corrosione – Costruito completamente in AISI316L - Dimensioni di ingombro ridotte – Leggero

<b>BUILDING MATERIALS</b>	<b>Materiali costruttivi</b>
<b>Body in SS316L</b>	Corpo in AISI316L
<b>Adjustment screw, fixing screws in AISI316 stainless steel</b>	Vite di regolazione, viti di fissaggio in acciaio inossidabile AISI316
<b>Diaphragm and valve assembly in elastomer and AISI316 stainless steel</b>	Assieme diaframma ed assieme valvola in elastomero ed acciaio inossidabile AISI316
<b>Valve spring, Adjustment spring in AISI316 stainless steel</b>	Molle valvola e di regolazione in acciaio inossidabile AISI316
<b>Seals in elastomer</b>	Guarnizioni in elastomero

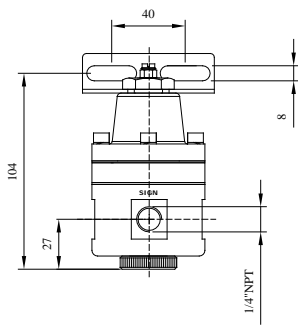
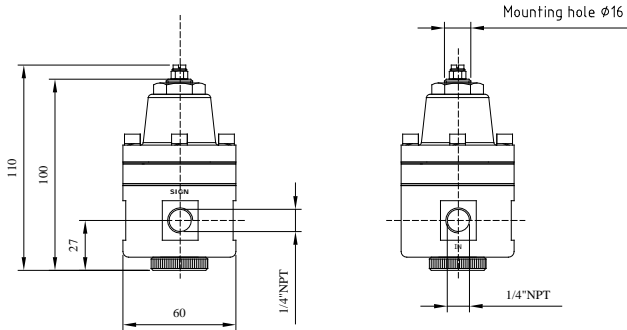
BT-LKSS/C14A

## Overall dimension

Dimensioni di ingombro

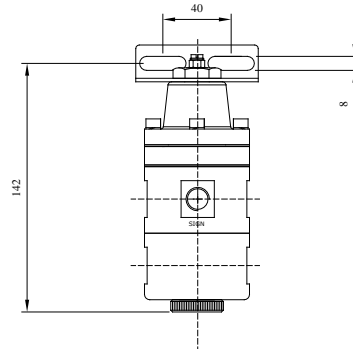
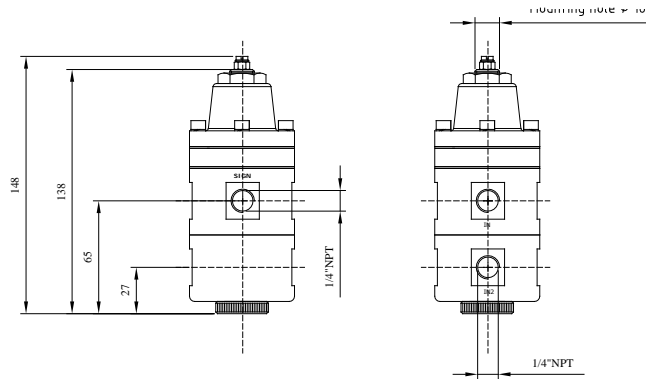
### Single Lock-up valve

Valvola di Lock-up singola



### Double Lock-up valve

Valvola di Lock-up doppia



LK4 A=1/4"

## Accessories and repair kit

Accessori e ricambi

Maintenance kit / Kit manutenzione	Items LK -04-K-XSS** [1/4"]
Bracket and lock nut / Staffa e Dado	SQ-FR04

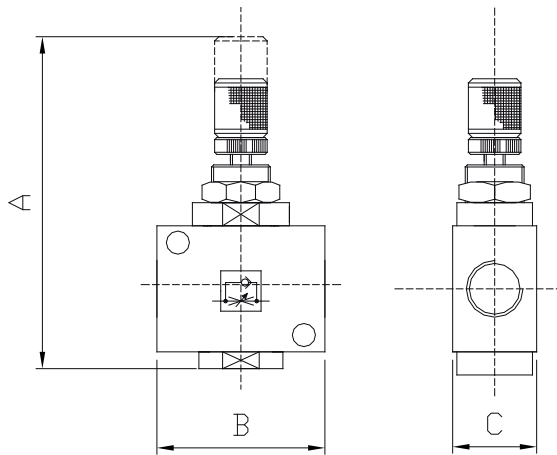
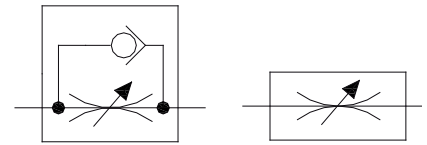
\*\* Refers to seals type:  
FK→FKM NB→NBR LT→EPDM FL→Low temperature Compound

### SS316L Flow regulators - RF serie

Regolatori di flusso in AISI316L - serie RF

Flow regulators are generally used to control the outflow of a media . A typical application is the speed control of an actuator . A complete range of needle valves and flow regulators provides a variety of choices between uni or bi-directional versions and different precision features.

- Suitable for air or gas service
- Robust SS316L design
- Different end connections available
- Panel mount nut std. option
- 12bar max working pressure
- ATEX 94/9/CE II2GD c IICT6 X
- approved



I regolatori di flusso sono generalmente impiegati per il controllo della portata di efflusso del fluido controllato. Una tipica applicazione è la regolazione della velocità negli attuatori. Una selezione completa di regolatori consente un'ampia scelta fra le diverse tipologie, uni e bidirezionali e con diverse caratteristiche di precisione.

- Idonei per utilizzo con aria o gas
- Robusta costruzione in AISI316L
- Disponibili con varietà di connessioni
- Predisposti per montaggio a pannello
- Pressione di lavoro massima 12bar
- ATEX 94/9/CE II2GD c IICT6 X
- Approvato

MODEL MODELLO	FUNCTION FUNZIONE	THREAD FILETTO	A	B	C	Flow 6 bar Portata a 6 bar	Dn
RFB04NSS*	Flow regulator	1/4"npt	70	40	20	2300 NI/m	6,5
RFB06NSS*	Flow regulator	3/8"npt	65	49	25	4500 NI/m	9
RFB08NSS*	Flow regulator	1/2"npt	65	49	25	5200 NI/m	10
RFU04NSS*	Unidirectional flow regulator	1/4"npt	79	40	20	2300 NI/m	6,5
RFU06NSS*	Unidirectional flow regulator	3/8"npt	65	49	25	4500 NI/m	9
RFU08NSS*	Unidirectional flow regulator	1/2"npt	65	49	25	5200 NI/m	10

\* for panel mounting nut add PM to the code

per il dado in AISI316L per montaggio a pannello aggiungere PM al codice

NB = NBR seals (WT -20°C/+80°C)

FK = FKM seals (WT -25°C/+90°C)

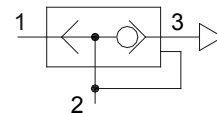
LT = EPDM seals (WT -40°C/+80°C)

FL = Special compound (WT -55°C/+90°C)



## SS316L Quick exhaust valves

Valvole di scarico rapido in AISI316L



Enables air to be exhausted quickly from air reservoirs and cylinders allowing higher cylinder speeds to be achieved. Simple, compact design and construction that grants for reliability in operations . Corrosion resistant body in stainless steel 316L allows the use in high corrosive environment .

Choice of plastic materials for moving element make this product suitable for a wide range of working temperatures. Valves can be used in every position , but for a prompt fluid discharge it is suggested to connect them as near as possible to the cylinder .

Connection 1 is air inlet , connection 2 is air use and connection 3 is the exhaust .



Consentono un rapido scarico dell'aria da serbatoi e cilindri permettendo il raggiungimento di elevate velocità del cilindro .

Sistema e struttura semplici e compatti garantiscono un funzionamento altamente affidabile .Il corpo in AISI316L consente l'utilizzo in ambienti corrosivi.

La scelta di differenti materiali plastici per l'elemento di commutazione rendono utilizzabile questo prodotto in un'ampia gamma di temperature. Le valvole possono essere montate in qualunque posizione , ma per un'efficace evacuazione devono essere piazzate il più vicino possibile al cilindro .

La connessione 1 serve per l'alimentazione, la due è l'utilizzo e la 3 è lo scarico .

- **Medium : compressed air or inert gases, filtered, lubricated and non lubricated**

Fluido : aria compressa o gas inerti, filtrata, lubrificata e non lubrificata

- **Operating pressure : 2/12bar**

Pressione d'esercizio : 2/12bar

- **Operating temperature : -20°C / + 80°C:**

Low or high temperature element available on request

Temperatura di esercizio: -20°C / + 80°C

Elemento per bassa o alta temperatura su richiesta

- **Materials : Body SS316L; Element in PU, FKM or silicon on request**

Materiali : Corpo in AISI316L; elemento in PU, FKM o silicone su richiesta

MODEL MODELLO	THREAD FILETTO	Dn	ELEMENT MATERIALE	WP PN	WT °C WT °C
VSR02NSS*	1/8" NPT	8	PU	2-12BAR	-20°/+80°
VSR04NSS*	1/4" NPT	8	PU	2-12BAR	-20°/+80°
VSR04HNSS#	1/4" NPT	10	PU	2-12BAR	-20°/+80°
VSR06NSS*	3/8" NPT	10	PU	2-12BAR	-20°/+80°
VSR08NSS*	1/2" NPT	12	PU	2-12BAR	-20°/+80°
VSR12NSS*	3/4" NPT	18	PU	2-12BAR	-20°/+80°

\* Silicon element for low temperature (-40°C ) available – add LT to the code

Disponibile elemento in silicone per basse temperature (-40°C ) – aggiungere LT al codice

\* FPM element for high temperature (+90°C ) available – add FP to the code

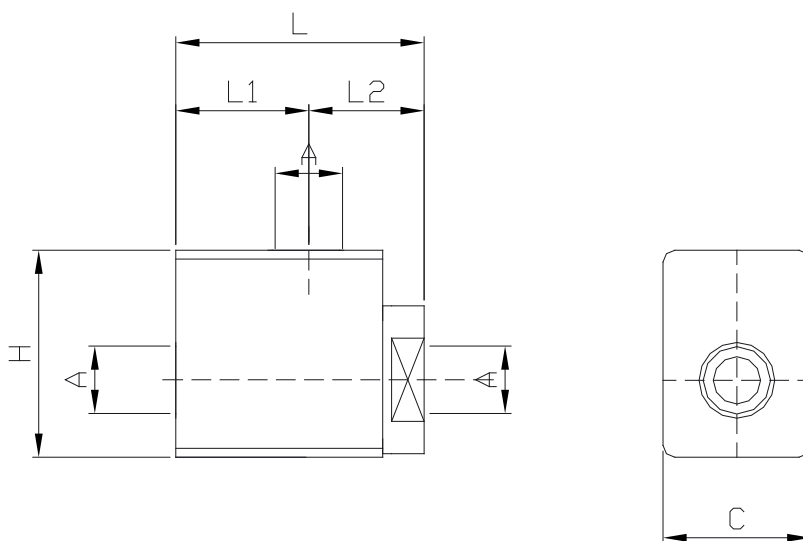
Disponibile elemento in FPM per alte temperature (+90°C ) – aggiungere FP al codice

# Available on request

# Disponibile su richiesta

### Overall dimension

Dimensioni di ingombro





MODEL MODELLO	THREAD FILETTO	L	L1 MATERIALE	L2	H	C	Kg
VSR02NSS*	1/8" NPT	42	22,5	19,5	35	25	0,082
VSR04NSS*	1/4" NPT	42	22,5	19,5	35	25	0,082
VSR04HNSS#	1/4" NPT	44	24	20	40	30	0,096
VSR06NSS*	3/8" NPT	44	24	20	40	30	0,142
VSR08NSS*	1/2" NPT	54	23	31	52	32	0,240
VSR12NSS*	3/4" NPT	79	35	44	72	46	0,825



## SS316L Adjustable overload protector - Mod. SCLP30

Limitatore di pressione tarabile in AISI316L - Mod. SCLP30

This unit is intended as protector device to safeguard pressure gauges against the effect of pressures exceeding maximum pressure rating. The overpressure protector consists of a piston valve spring actuated. Under normal pressure condition the spring holds the valve open. When in the system pressure exceeds the set value, the force exerted by the spring is overcome and the piston valve closes. The valve will remain in this position until the pressure value in the system drops approx 20-25% below the set pressure, then the force of the spring will open the valve. The unit must not be use as safety device.

- No leakage when closing
- Adjustable from 0.4 to 400 bar
- Repeatability 1.6%
- Factory setting possible
- ATEX 94/9/CE  II2GD c IICT6 X
-  approved



- Tenuta perfetta in chiusura
- Regolabile da 0.4 a 400 bar
- Ripetibilità di intervento 1.6%
- Possibilità di taratura in fabbrica
- ATEX 94/9/CE  II2GD c IICT6 X
- Approvato 

Questo dispositivo è utilizzato come elemento di protezione per salvaguardare i manometri dagli effetti causati dal superamento di un valore massimo di pressione prefissato. Il limitatore di pressione è costituito da una valvola a pistone azionata da una molla. In condizioni di normale funzionamento la molla mantiene in condizione di apertura il pistone. Quando nel sistema la pressione supera il valore di taratura la forza esercitata dalla molla viene superata e la valvola si chiude. La valvola rimane in questa posizione sino a che il valore di pressione nel sistema si riduce di circa il 20-25% al di sotto del valore di taratura, dopo di che la molla riaprirà la valvola.

Il dispositivo di protezione non deve essere considerato elemento di sicurezza.

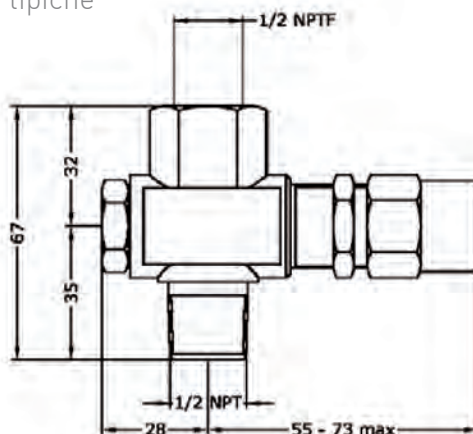
### Versioni disponibili

Versioni disponibili

Cracking Pressure ranges Campo di regolazione	Part number Codice	Weight Peso
0.4 – 2.5 bar	SCLP302	0.5 kg
1.5 – 12 bar	SCLP303	0.5 kg
5 – 25 bar	SCLP304	0.5 kg
10 – 40 bar	SCLP305	0.5 kg
25 – 100 bar	SCLP306	0.5 kg
50 – 250 bar	SCLP307	0.5 kg
200 – 400 bar	SCLP308	0.5 kg
<b>Special range on request / Campi speciali a richiesta</b>		

### Typical overall dimension

Dimensioni di ingombro tipiche



### Standard features

Caratteristiche standard

Port connection Conessioni	1/2" NPT
Body Corpo	AISI316
Wetted parts Parti a contatto con fluido	AISI316L - FPM
O ring O ring	FPM
Spring Molla	DIN 17224
Operating temperature Temperatura di funzionamento	- 20 + 90° C*

\* for temperature lower than 5°C please consult our technical office  
per temperature inferiori a + 5°C consultare il ns. ufficio tecnico

### Application

Applicazioni

- **Material of construction allow the unit To be used for corrosive pressure media, even in corrosive ambient**
- **Process industry**
- **Mechanical engineering and plan costruzione**
- **Onshore and offshore**
- **Power station**
- **Chemical and petrochemical plant**
- **Mining**
- I materiali di costruzione del dispositivo consentono l'impiego con fluidi aggressivi in pressione ed anche in ambienti aggressivi
- Industria di processo
- Ingegneria meccanica e delle costruzioni
- Onshore ed offshore
- Centrali elettriche
- Impianti chimici e petrolchimici
- Attività minerarie

### Option

Opzioni

**On request are available setting range different compared to standard.**

**As well version suitable for oxygen and made with special material are available.**

Su richiesta possono essere realizzate versioni con campi di regolazione diversi dagli standard. Possono inoltre essere realizzate versioni adatte per l'utilizzo con ossigeno o con materiali speciali.



## Section C – Instruments & accessories Sezione C – Strumenti ed accessori

### A range of instruments and accessories designed for specific applications to optimize the installations

- Flow meters for analysis, Variable flow vacuum pumps, Silencers and Pressure gauges
- Stainless steel complete construction
- Idoneus for installation in classified areas
- Eventual seals available in FPM, EPDM, specials
- Strong construction
- Easy maintenance
- Full material traceability
- Certifications to EN10204 3,1
- 100% Italian production
- 100% tested
- 24 hours shipment service available
- ATEX and EAC certified range

### Una gamma di accessori e strumenti realizzati per applicazioni specifiche e per ottimizzare le installazioni

- Flussimetri per analisi, Eiettori a portata variabile, Silenziatori e Manometri
- Costruzione completamente in acciaio inossidabile
- Idonei per installazione in area classificata
- Eventuali tenute in FPM, EPDM, speciali
- Costruzione robusta
- Facilità nelle eventuali manutenzioni
- Completa rintracciabilità di tutti i componenti
- Certificati EN10204 3,1
- Produzione 100% italiana
- Collaudo al 100%
- Spedizioni in 24 ore
- Certificati ATEX e EAC

### AISI316L high flow silencers

- Stainless steel 316L complete construction
- 1/8", 1/4", 3/8", 1/2", 3/4", 1" sizes
- Std NPT threads
- Certifications to EN10204 3,1, ATEX, EAC
- 100% Italian production

### Silenziatori ad alta portata in AISI316L

- Costruzione completamente in AISI316L
- Taglie da 1/8", 1/4", 3/8", 1/2", 3/4", 1"
- Filettature std NPT
- Certificati EN10204 3,1, ATEX, EAC
- Produzione 100% italiana



## Section C – Instruments & accessories

Sezione C – Strumenti ed accessori



### Stainless steel 316L glass tube flow meters

Flussimetri a tubo di vetro in AISI316L

1/8" – AISI316L



### Aluminum and SS316L variable flow vacuum pumps

Eiettori a portata regolabile in alluminio ed AISI316L

1/4" – aluminum alloy – lega di alluminio

1/4" – AISI316L



### Stainless steel 316L high flow silencers

Silenziatori di scarico ad alta portata in AISI316L

1/8", 1/4", 3/8", 1/2", 3/4", 1"



### Bourdon type pressure gauges

Manometri Bourdon

DN 40 and 50mm

SS case/nickel plated brass connection; all Stainless steel

www.sitecna.eu

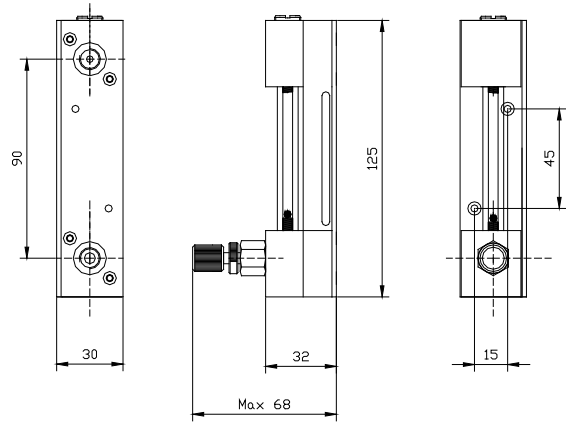
## AISI 316L Glass tube flowmeter – FLGSS series

Flussimetro a tubo di vetro in AISI 316L – serie FLGSS

- Instant flowmeters for low flows
- Excellent accuracy
- Rear ports
- Viton® gasket
- Low cost
- ATEX 94/9/CE II2GD c IICT6 X
- approved



- Flussimetro per misurazioni istantanee di basse portate
- Eccellente precisione
- Conessioni posteriori
- Guarnizioni in Viton®
- Basso costo
- ATEX 94/9/CE II2GD c IICT6 X
- Approvato



**Dimension**  
Dimensioni

Port thread - Conessioni	1/8" NPT
Flow range - Portata	0.2-2,5 NL/m air 20°C P=1013mbar
	0.8-10 NL/m air 20°C P=1013mbar
Accuracy - Precisione	± 5% of max scale value
Length of reading scale Lunghezza scala di lettura	63 mm
Distance between fixing centres Interassi connessioni	90 mm
Float - Galleggiante	AISI316
Body material - Materiale corpo	AISI 316L
Metering tube - Tubo di misura	Borosilicate glass (Pyrex)
Linings - Guarnizioni	Viton®
Max Inlet Pressure Pressione massima di ingresso	10 bar
Temperature range - Temperatura	-20° +100°C
Option - Opzioni	Stainless steel brackets

Model Modello	Flow Portata	Monostable alarm sensor Sensore di allarme monostabile
FLGSSV02N02	0.2-2,5 NL/m	No
FLGSSV02N02/H	0.8-10 NL/m	No
FLGSSV02N02/SE	0.2-2,5 NL/m	** ATEX 2128 x Ex II 2 G Eex ia II C T6 8V dc ( sensor )
FLGSSV02N02/HSE	0.8-10 NL/m	** ATEX 2128 x Ex II 2 G Eex ia II C T6 8V dc ( sensor )

**\*\*Available with integral inlet or outlet metering valve - add VI or VO to the code**  
Disponibile con regolatore di flusso in ingresso od uscita - aggiungere al codice VI o VO


BT-FLSS/C14A



## Aluminum alloy or AISI 316L Variable flow vacuum pump – VP serie

Eiettori a flusso variabile in alluminio od AISI316L – serie VP

The variable performance of the vacuum pump is achieved by increasing the annular gap between the Venturi nozzle and the diffuser. Rotating the diffuser section counter clock-wise will increase the opening, allowing more compressed air to flow through the unit and increasing both the vacuum flow and the vacuum level. The result is variable vacuum pump that can be adjusted to meet an application's exact requirements.

- ATEX 94/9/CE  II2GD c IICT6 X and  approved

Le prestazioni della pompa per vuoto sono ottenute aumentando lo spazio tra l'ugello Venturi ed il diffusore. Ruotando la sezione del diffusore in senso orario l'apertura aumenta permettendo il passaggio di una quantità maggiore di aria compressa attraverso l'unità incrementando il flusso di aspirazione ed il livello di vuoto. Il risultato è una pompa per il vuoto a flusso variabile che può essere regolata per soddisfare la più esigente richiesta

- ATEX 94/9/CE  II2GD c IICT6 X e approvato 



### Performance data\*

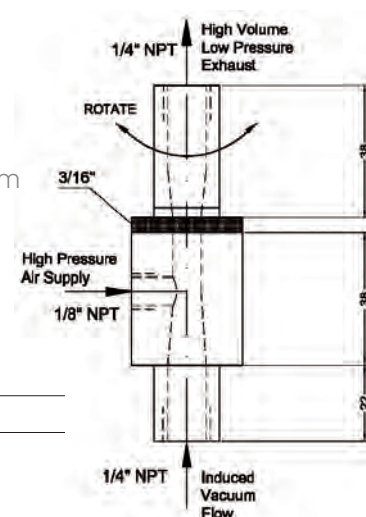
Prestazioni\*

- Vacuum level : -15" HG
- Max vacuum flow : 10 scfm
- Air consumption : 6scfm
- Livello di vuoto : -15" HG
- Flusso massimo di vuoto : 10 scfm
- Consumo d'aria: 6scfm

\*@80psi pressure supply

\* a 5.5 bar di alimentazione

SS316L version Model ST-VP0204N4P	ST-VP0204N4P
Aluminum version Mod.	ST-VP0204N4PAL



- High performance for vacuum flow rate and vacuum level .

Ottime prestazioni di portata e di livello di vuoto

- Non-clogging, straight –through design .

La progettazione a passaggio diretto impedisce ogni possibilità di intasamento

- Low air consumption ratio

Bassi consumi di aria

- Air velocity and flow are field adjustable to provide a wide range of conditions to meet individual application requirements .

Possibilità di regolare la velocità e la portata dell'aria per fornire un'ampia versatilità di funzionamento e soddisfare le più varie esigenze.

- Can be used to pick and place concrete block or packaging materials that are coated with fine powder .

Può essere usato per realizzare l'effetto ventosa nell'automazione industriale

- Typical applications : remove liquid/solid mixture s in air driven vacuum cleaners from sump areas, blow drying, fume evacuation, cooling and improved utilisation of compressed air.

Tipiche applicazioni : rimozione di composti solido/liquido in pompe di aspirazione per pozzi di estrazione, essiccazione, aspirazione fumi, raffreddamento e migliore utilizzo dell'aria compressa .

## AISI 316L Variable flow vacuum pump

Eiettore a flusso variabile in AISI316L

## Typical performance Characteristics

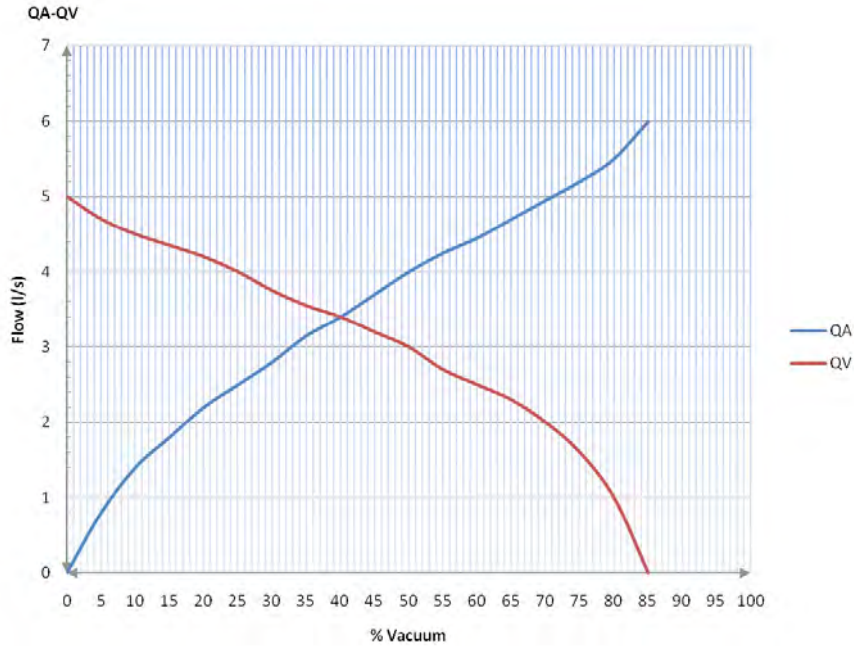
Caratteristiche tipiche

### Flow characteristics

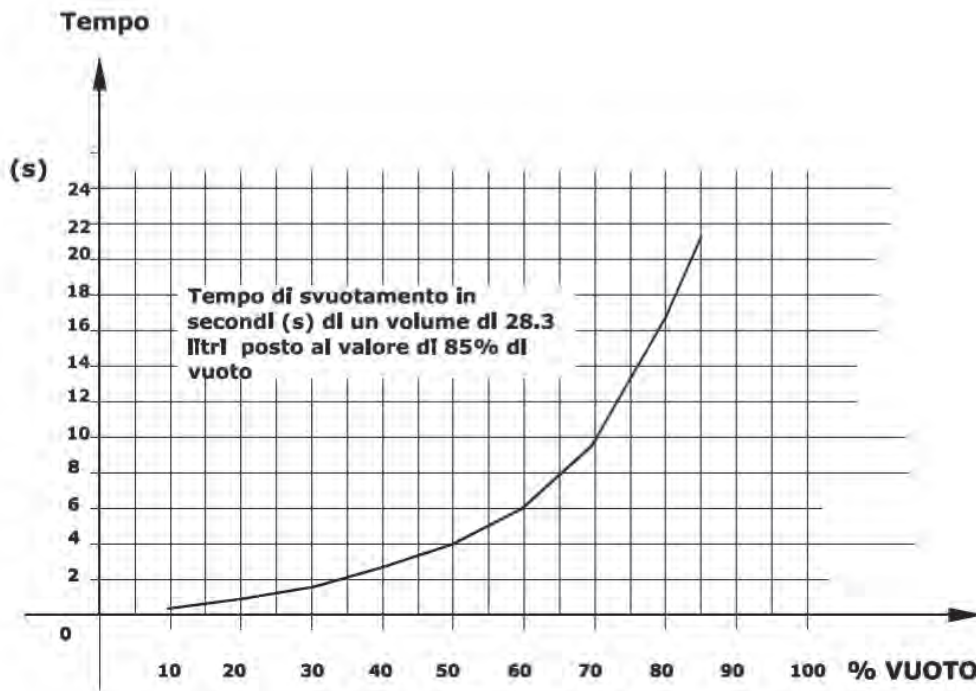
Caratteristiche di portata

www.sitecna.eu

### PORTATA



Air Consumption QA (l/s) vs Vacuum level (%) @ 5.5 bar







Evacuation time (seconds) based on 28.3 litres volume @ 85% vacuum level

BT-VP/C11B

## Stainless steel 316L Silencers - SLHF/SLVP series

Silenziatori di scarico ad alta portata ed anti-insetto in SS316L - Serie SLHF/SLVP

- Suitable to onshore, offshore, pharmaceutical, medical and food applications
- Full stainless steel 316 construction
- Suitable for corrosive environments
- NPT standard threads
- Quick delivery
- ATEX 94/9/CE  II2GD c IICT6 X and  approved

- Adatto in applicazioni marine, petrolchimiche, farmaceutiche, medicali e alimentari
- Costruzione completamente in acciaio inossidabile AISI316
- Idonei per ambienti corrosivi
- Filetti NPT standard
- Rapida consegna
- ATEX 94/9/CE  II2GD c IICT6 X e approvato 



<b>Media / Fluido</b>	Compressed air, inert gases, sweet and sour gases
<b>Connection / Connessioni</b>	1/8", 1/4", 1/2", 3/4", 1" NPT
<b>Working pressure</b> Pressione operativa	0...12bar
<b>Operating Temperature</b> Temperatura di esercizio	-55°C up to 150°C
<b>Rumor reduction</b> Riduzione del rumore	70%
<b>Threads type / Tipi di filetto</b>	NPT male std, BSP (on request)
<b>Process Temperature</b> Temperatura di processo	400°C max

Air supply must be dry enough to avoid ice formation at temperatures below +2°C (+35°F).

Fig.1 serie SLVP

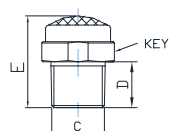


Fig.2

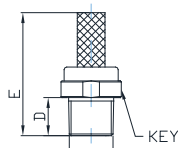
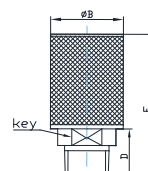


Fig.3



Models Modelli	Size-C Taglia	Thread Filetto	E (mm)	D (mm)	B (mm)	Key Chiave	Drawing Disegno di riferimento
SLHF02NSS	1/8"	NPT male	Tbc	Tbc	Tbc	Tbc	-
SLHF04NSS	1/4"	NPT male	35,5	11	Tbc	17	Fig 2
SLHF06NSS	3/8"	NPT male	Tbc	Tbc	Tbc	Tbc	Tbc
SLHF08NSS	1/2"	NPT male	54	18,5	Tbc	24	Fig 2
SLHF12NSS	3/4"	NPT male	65	20	58	36	Fig 3
SLHF16NSS	1"	NPT male	69	24	58	36	Fig 3
SLVP04NSS	1/4"	NPT male	22	11	Tbc	17	Fig 1

<b>Building Materials</b>	Materiali costruttivi
Body in 316/316L bar stock stainless steel	Corpo in acciaio inossidabile da barra AISI316/316L
Cup in 316/316L bar stock stainless steel	Fondello in acciaio inossidabile AISI316/316L
Filter in sinterized 316 stainless steel wire	Filtro in filo di acciaio inossidabile AISI316 sinterizzato
Nuts and screws in A2 stainless steel	Viti e dadi in acciaio inossidabile A2

## SS 304 case, nickel plated connection Bourdon pressure gauges – MBSN series

Manometri Bourdon cassa inox, connessione nichelata – Serie MBSN

- Suitable to onshore, pharmaceutical, chemical, medical and industrial applications
- Stainless steel case construction
- Suitable for gas or liquids not corrosive to the copper alloy
- Dry or liquid filled versions
- EN837
- ATEX 94/9/CE II2GD c IICT6 X
- Adatto in applicazioni chimiche, farmaceutiche, medicali ed industriali
- Costruzione con cassa in acciaio inossidabile
- Idonei per gas o liquidi compatibili con le leghe di rame
- Versioni a secco o con riempimento
- EN837
- ATEX 94/9/CE II2GD c IICT6 X

<b>Media / Fluido</b>	Compressed air, inert gases, sweet and sour gases, liquids
<b>Gauge Connection / Connessione manometro</b>	1/8" NPT backside
<b>Working range Range operativo</b>	75% of full scale value
<b>Overpressure Sovrappressione</b>	25%
<b>Accuracy / Precisione</b>	2,5%
<b>Operating Temperature Temperatura di esercizio</b>	-25°C up to 65°C
<b>Process Temperature Temperatura di processo</b>	400°C max
<b>Weather protection Protezione ambientale</b>	IP65





Air supply must be dry enough to avoid ice formation at temperatures below +2°C (+35°F).

Models Modelli	Diameter Diametro	Filling	Scale Scala	Thread Filetto	Stocked Gestito a magazzino	Notes Note
MBSNP4S2PN02	40mm	No	0/1BAR	1/8" NPT backside	No	
MBSNP4S2PN3S	40mm	No	0/2BAR +psi+kpa	1/8" NPT backside	Yes	
MBSNP4S2PN04	40mm	No	0/2,5BAR+psi	1/8" NPT backside	No	
MBSNP4S2PN05	40mm	No	0/4BAR+psi+kpa	1/8" NPT backside	Yes	
MBSNP4S2PN6S	40mm	No	0/7BAR+psi+kpa	1/8" NPT backside	No	
MBSNP4S2PN07	40mm	No	0/10BAR+psi+kpa	1/8" NPT backside	Yes	
MBSNP5S2PN04	50mm	No	0/2,5BAR+psi	1/8" NPT backside	No	
MBSNP5S2PN05	50mm	No	0/4BAR+psi	1/8" NPT backside	No	
MBSNP5S2PN6S	50mm	No	0/7BAR+psi	1/8" NPT backside	No	
MBSNP5S2PN07	50mm	No	0/10BAR+psi+kpa	1/8" NPT backside	Yes	
MBSNP4G2PN07	40mm	Yes glycerine	0/10BAR+psi+kpa	1/8" NPT backside	Yes	brass connection
MBSNP5G2PN07	50mm	Yes glycerine	0/10BAR+psi+kpa	1/8" NPT backside	Yes	brass connection
MBSNP4S2PN100	40mm	No	0/7kg/cm2+psi	1/8" NPT backside	No	
MBSNP4S2PN92	40mm	No	0/10kg/cm2	1/8" NPT backside	No	

Building Materials	Materiali costruttivi
Threaded connection in nickel plated brass	Connessione filettata in ottone nichelato
Bourdon tube C type in copper alloy	Molla Bourdon di tipo c in lega di rame
Movement in copper alloy OT59	Movimento in lega di rame OT59
Case in AISI304/304L stainless steel	Cassa in acciaio inossidabile AISI304/304L
Case ring in AISI304/304L stainless steel	Anello della cassa in acciaio inossidabile AISI304/304L
Pointer in black aluminum	Lancetta in alluminio nero
Dial in painted aluminum	Quadrante in alluminio verniciato

## All stainless steel Bourdon type standard pressure gauges – MBSS series

Manometri Bourdon standard tutto inox – Serie MBSS

- Suitable to onshore, pharmaceutical, medical and food applications
- Full stainless steel construction
- Suitable for aggressive fluids and corrosive environments
- Dry or liquid filled versions
- EN837
- ATEX 94/9/CE  II2GD c IICT6 X
- Adatto in applicazioni marine, petrolchimiche, farmaceutiche, medicali e alimentari
- Costruzione completamente in acciaio inossidabile
- Idonei per fluidi aggressivi ed ambienti corrosivi
- Versioni a secco o con riempimento
- EN837
- ATEX 94/9/CE  II2GD c IICT6 X

<b>Media / Fluido</b>	Compressed air, inert gases, sweet and sour gases, liquids
<b>Gauge Connection /</b> Connessione manometro	1/8" NPT backside
<b>Working range</b> Range operativo	75% of full scale value
<b>Overpressure</b> Sovrappressione	25%
<b>Accuracy / Precisione</b>	2.5%
<b>Operating Temperature</b> Temperatura di esercizio	-30°C up to 150°C
<b>Process Temperature</b> Temperatura di processo	400°C max
<b>Weather protection</b> Protezione ambientale	IP65



Air supply must be dry enough to avoid ice formation at temperatures below +2°C (+35°F).

Models Modelli	Diameter Diametro	Filling	Scale Scala	Thread Filetto	Stocked Gestito a magazzino	Notes Note
MBSSP4S2PN02	40mm	No	0/1BAR	1/8" NPT backside	No	
MBSSP4S2PN3S	40mm	No	0/2BAR +psi+kpa	1/8" NPT backside	Yes	
MBSSP4S2PN04	40mm	No	0/2,5BAR+psi	1/8" NPT backside	No	
MBSSP4S2PN05	40mm	No	0/4BAR+psi+kpa	1/8" NPT backside	Yes	
MBSSP4S2PN6S	40mm	No	0/7BAR+psi+kpa	1/8" NPT backside	No	
MBSSP4S2PN07	40mm	No	0/10BAR+psi+kpa	1/8" NPT backside	Yes	
MBSSP5S2PN04	50mm	No	0/2,5BAR+psi	1/8" NPT backside	No	
MBSSP5S2PN05	50mm	No	0/4BAR+psi	1/8" NPT backside	No	
MBSSP5S2PN6S	50mm	No	0/7BAR+psi	1/8" NPT backside	No	
MBSSP5S2PN07	50mm	No	0/10BAR+psi+kpa	1/8" NPT backside	Yes	
MBSSP4G2PN07	40mm	Yes glycerine	0/10BAR+psi+kpa	1/8" NPT backside	Yes	
MBSSP5G2PN07	50mm	Yes glycerine	0/10BAR+psi+kpa	1/8" NPT backside	Yes	
MBSSP4S2PN100	40mm	No	0/7kg/cm2+psi	1/8" NPT backside	No	
MBSSP4S2PN92	40mm	No	0/10kg/cm2	1/8" NPT backside	No	

Building Materials	Materiali costruttivi
Threaded connection in AISI316/316L stainless steel	Connessione filettata in acciaio inossidabile AISI316/316L
Bourdon tube C type in AISI316/16L stainless steel	Molla Bourdon di tipo c in acciaio inossidabile AISI316/316L
Movement in AISI316/316L stainless steel	Movimento acciaio inossidabile AISI316/316L
Case in AISI304/304L stainless steel	Cassa in acciaio inossidabile AISI304/304L
Case ring in AISI304/304L stainless steel	Anello della cassa in acciaio inossidabile AISI304/304L
Pointer in black aluminum	Lancetta in alluminio nero
Dial in painted aluminum	Quadrante in alluminio verniciato



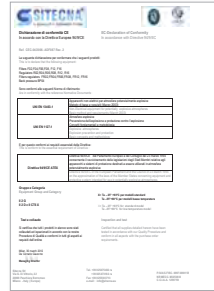
# TECHNICAL INFORMATION



# Technical information Informazioni tecniche



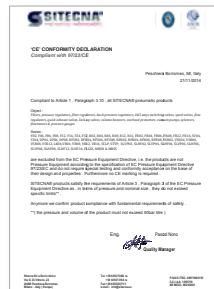
**ISO 9001 certificate**  
Certificato ISO 9001



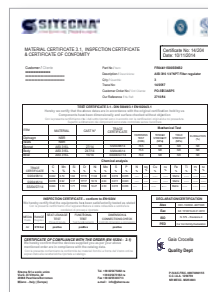
**94/9/CE air equipments declaration**  
Dichiarazione 94/9/CE trattamento aria



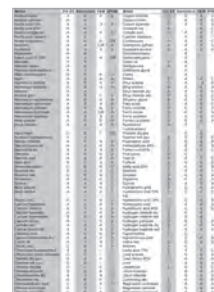
**EAC certification**  
Certificazione EAC



**PED declaration**  
Dichiarazione PED



**EN10204/3.1 & Test certificate prototype**  
Prototipo certificato EN10204/3.1 e test di collaudo



**Materials compatibility & temperature chart**  
Tabella compatibilità e temperature dei materiali



# СЕРТИФИКАТ СООТВЕТСТВИЯ



№ ТС KZ.1510019.22.01.00072 Серия KZ 0100194

**ОРГАН ПО СЕРТИФИКАЦИИ** ОПС ПК «Сертиc-М»  
Республика Казахстан, г. Актобе, пр. Санкибай-батыра, 26 "Н" 8(7132)567170, 8 (7132) 957524 info@sertis-m.com № аттестата KZ.О.05.0019: выдан 03/03/11 г. ТОО "Национальный центр аккредитации"

**ЗАЯВИТЕЛЬ** Товарищество с ограниченной ответственностью «West Region of KZ»  
Резидент РК Свидетельство №361-е-1904-01-ТОО от 17.07.2013 г. Республика Казахстан, 030000, Актюбинская область, г. Актобе, пр. Абулхайр-хана, 64-1-165; тел: +8(7132) 523696

**ИЗГОТОВИТЕЛЬ** SITECNA SRL a Socio Unico,  
Италия: Via Giuseppe di Vittorio n.22, 20068 Peschiera Bormeo, Milano

**ПРОДУКЦИЯ** Арматура трубопроводная согласно приложениям 7 позиции.  
Описание конструкции и средств обеспечения взрывозащиты согласно приложению 1. Т.Е. 134-1, серийный выпуск. Номера бланков приложений 0044404, 0044421, 0044406-0044410

**КОД ТН ВЭД ТС** 8481  
**СООТВЕТСТВУЕТ ТРЕБОВАНИЯМ** ТР ТС 010/2011 "О безопасности машин и оборудования", ТР ТС 012/2011 "О безопасности оборудования для работы во взрывоопасных средах", ТР ТС 032/2013 "О безопасности оборудования, работающего под избыточным давлением"

**СЕРТИФИКАТ ВЫДАН НА ОСНОВАНИИ** отчет по результатам обследования условий производства №71 от 13.10.2014г. ОПС ПК "Сертиc-М" №КЗ.О.05.0019 от 03.03.2011г., протоколов испытаний №19 от 09.08-09.10.2014г. №4945-4947, №4961-4972 от 07.10.2014г., ИЦ ПК "Сертиc-М" №КЗ.И.03.0172 от 11.03.2011г.



0246078

**ДОПОЛНИТЕЛЬНАЯ ИНФОРМАЦИЯ** Условия, срок хранения и срок службы указываются в сопроводительной документации

**СРОК ДЕЙСТВИЯ** с 23.10.2014 г. по 23.10.2019 г.



М.П.

Руководитель (уполномоченное лицо) органа по сертификации

Эксперт-аудитор (эксперт)

*M. Temkina*  
подпись

*E. Tserbakova*  
подпись

М. Темкина

Инициалы, фамилия

Е. Цербакова

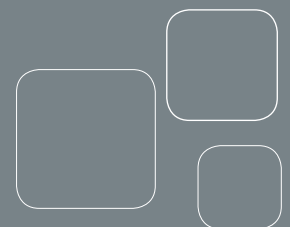
Инициалы, фамилия





Sitecna<sup>®</sup> is also the sole Italian distributor of the following brands:

- Moncus Energy Group
- Alkon
- Condor Technology
- Imperial
- Waverley brownall
- Uni-lok
- Glass Specialist





Manufacturer of controller units, pressure sensors, manual relays, hydraulic & quick exhaust valves



Manufacturer of fittings, flow regulators & electro-pneumatic valves



Manufacturer of instrumentation heaters & thermostats for hazardous locations



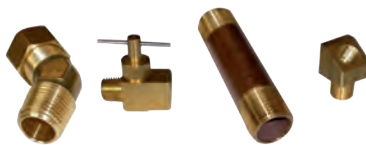
Manufacturer of plastic tubing, valves & instrumentation solutions



Manufacturer of instrumentation fittings, ball, needle, check, relief valves



Manufacturer of instrumentation fittings, ball, needle, check, diaphragm, bellows, manifold valves



Provider of specialty fittings, valves and hydro-pneumatic products for the glass industry

