



# *TECHNICAL BULLETIN*

## *Logix 505si Series*

Digital Positioner

FCD LGENTB0505-02 09/10



*Experience In Motion*

## Introduction

The Logix 505si is a basic positioner for most simple control loops. It is microprocessor based which allows for quick and easy setup along with very good control. Simply set the configuration on a few DIP switches, then push the Quick-Cal button.

The positioner will then automatically calibrate itself and autotune the gain parameters. The Logix 505si is an excellent replacement for the old-style I/P or analog electro-pneumatic positioners with their tedious manual adjustments and poor performance.

The Logix 505si is the basic model of the Logix 500 family.

## Features and Benefits

Feature	Benefits
Easy commissioning	Commissioning is performed by simply setting a few switches and pressing the Quick-Cal button. The direct User Interface allows local access to positioner control without requiring multi-level menus, a handheld communicator or a laptop computer.
Local status LED	LEDs visible from a distance, indicate positioner's current status without removing the cover.
Internal diagnostic codes	LEDs providing instant information relating to internal diagnostic codes. These codes indicate positioner status and alarms to the user without the need for a handheld communicator or a laptop computer.
Fast and simple configuration	With its unique Direct User Interface, Logix 500 positioners provides fast and easy configuration. Local configuration switches allow the user to set all basic parameters for positioner operation.
Auto tune	A simple press of a button starts the self-calibration and auto-tune process, speeding up commissioning procedure and ensuring consistency between one valve and the next (regardless of who performs the procedure). Additionally, a gain selector allows the user to modify the calculated auto tune result.
Low air consumption	State-of-the art piezo technology combined with inner-loop feedback procedures provides high-performance control with minimal air consumption.
Two stage control design	Logix 500 positioners use two-stage control to provide faster response and tighter control.
Mounting	IEC534 (NAMUR) mounting as well as VDI/VDE 3845 and 3847 mounting options allows the Logix 500 to be mounted on almost all actuators available on the market. With its unique Flowserve direct mounting option the Logix 500 can be mounted directly without tubing to Flowserve's single acting diaphragm actuators.

## Principle of Operation

The Logix 505si positioner is a basic digital positioner consisting of three main modules:

1. The microprocessor based electronic control module includes direct local user interface switches
2. The piezo valve based electro-pneumatic converter module
3. The infinite resolution valve position sensor.

The basic positioner operation is best understood by referring to Figure 1. The complete control circuit is powered by the two-wire, 4-20 mA command signal. The analog 4-20 mA command is passed to the microprocessor, where it is compared to the measured valve stem position. The control algorithm in the processor performs control calculations and produces an output command to the piezo valve, which drives the pneumatic amplifier. The position of the pilot valve within the pneumatic amplifier is measured and relayed to the inner loop control circuit. This two-stage control provides for more responsive and tighter control than is possible with a single stage control algorithm. The pneumatic amplifier controls the airflow to the actuator. The change of pressure and volume of the air in the actuator causes the valve to stroke. As the valve approaches the desired position, the difference between the commanded position and the measured position becomes smaller and the output to the piezo valve is decreased. This, in turn, causes the pilot valve to close and the resulting flow to decrease, which slows the actuator movement as it approaches the new commanded position. When the valve actuator is at the desired position, the pneumatic amplifier output is held at zero, which holds the valve in a constant position.

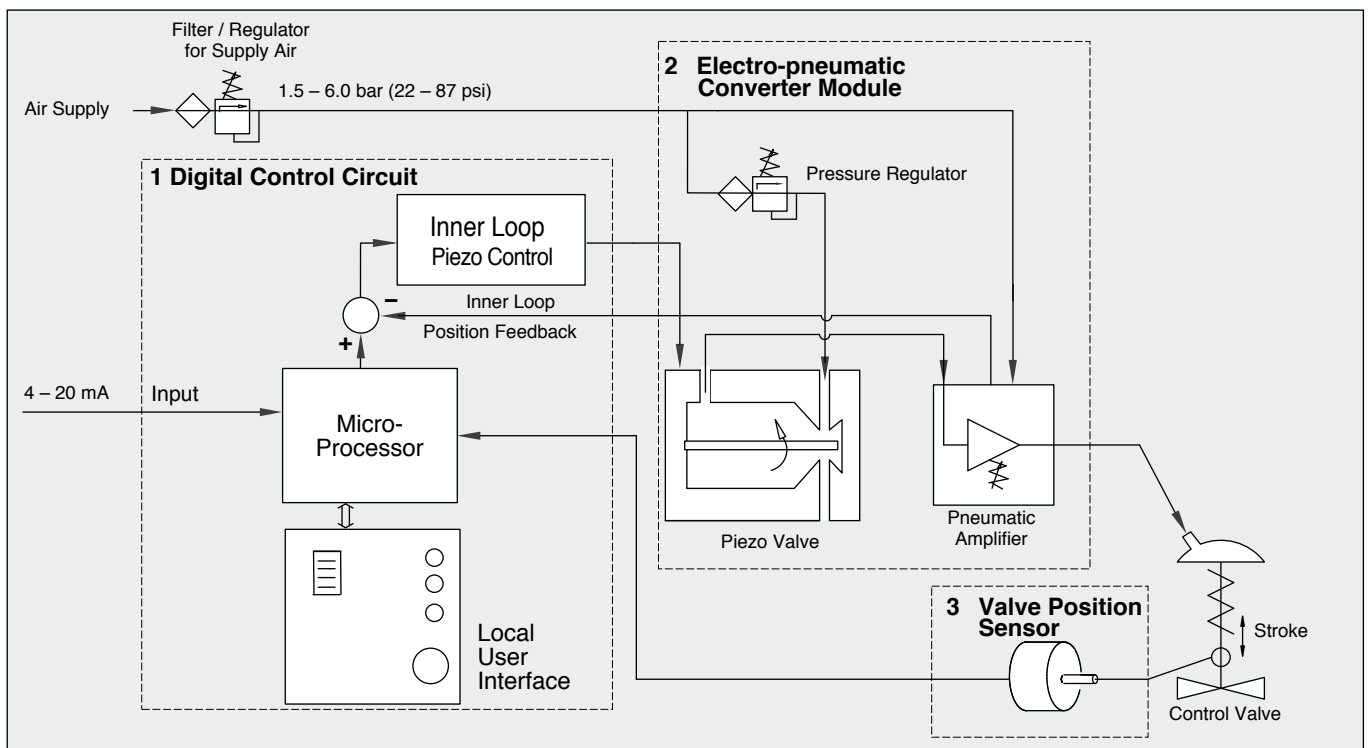


Figure 1: Logix 505si Principle of Operation

## Specifications

**Table 1: Input Signal**

Input Signal Range	4 - 20 mA
Compliance Voltage	6 VDC
Voltage Supply (maximum)	30 VDC
Minimum Required Operating Current	3,6 mA

**Table 2: Stroke Output**

Feedback Shaft Rotation	Min. 15°, max 90° 40° recommended for linear applications
-------------------------	--

**Table 3: Air Supply**

Air Supply Quality	Free from moisture, oil and dust per IEC 770 and ISA-7.0.01
Input Pressure Range	1,5 to 6,0 bar (22 to 87 psi)
Air Consumption (steady state)	0,08 Nm <sup>3</sup> /h @ 1,5 bar (0,047 SCFM @ 22 psi) 0,12 Nm <sup>3</sup> /h @ 6,0 bar (0,071 SCFM @ 87 psi)

**Table 4: Output Signal**

Output Pressure Range	0 to 100% of air supply pressure
Output Flow Capacity	2,4 Nm <sup>3</sup> /h @ 1,5 bar (1,41 SCFM @ 22 psi) 7,0 Nm <sup>3</sup> /h @ 6,0 bar (4,12 SCFM @ 87 psi)

**Table 5: Shipping Weights**

Base Positioner without Accessories	1,2 kg (2,65 lbs)
-------------------------------------	-------------------

**Table 6: Performance Characteristics (typical)**

Linearity	< +/- 1,0%
Resolution	< 0,3%
Repeatability	< 0,5%
Deadband	< 0,5%

**Table 7: Environmental Conditions**

Operating Temperature Standard	-20 °C to +80 °C (-4 °F to +178 °F)
Operating Temperature Low	-40 °C to +80 °C (-40 °F to +178 °F)
Transport and Storage Temperature	-40 °C to +80 °C (-40 °F to +178 °F)
Operating Humidity	0 to 100% non-condensing

**Table 8: Hazardous Area Specifications**

ATEX	II1G Ex ia IIC T4 - T6
ATEX	II3G Ex ic IIC T4 - T6

# Ordering Information

	Family	Series	Communication / Diagnostic	Software	Certifications	Housing	Threaded Conn.	Feedback Shaft	Temperature	Language	Position Indicator	Options	Add-in Electronics	Limit Switches
	Logix	5	XX	XX	XX	X	X	X	X	X	X	X	X	X
			AA	BB	CC	D	E	F	G	H	I	J	K	L
<b>Positioner Model</b>														
Standard		5												
<b>Communication and Diagnostic</b>														
505 - Basic			05	si										
<b>Certifications</b>														
EEx nL nA II C T4, ATEX II 3G/D					-04-									
General Purpose					-14-									
Ex ia IIC, ATEX II 1G					-15-									
Ex ic IIC, ATEX II 3G					-32-									
<b>Housing</b>														
Flowserve: Aluminum, Black with white cover						W								
Flowserve: Aluminum, Black with yellow cover						Y								
Flowserve: Aluminum, Black						B								
<b>Threaded Connections</b>														
1/2 NPT conduit, 1/4 NPT pneumatic							1							
M20 conduit, 1/4 NPT pneumatic							2							
1/2 NPT conduit, 1/4 NPT pneumatic, 1/4 NPT aux. vent							3							
M20 conduit, 1/4 NPT pneumatic, 1/4 NPT aux. vent							4							
<b>Feedback Shaft</b>														
D Shaft - 316SS (Valtek Standard)								D						
VDI/VDE 3845 (NAMUR)								R						
<b>Temperature</b>														
Standard -20 °C to 85 °C (-4 °F to 185 °F)										S				
Extended -40 °C to 85 °C (-40 °F to 185 °F)										E				
<b>Language</b>														
English										E-				
French										F-				
German										G-				
<b>Position Indicator</b>														
No indicator											0			
Flat											F			
Domed											D			
<b>Special Options</b>														
Standard												0		
<b>Add-in Electronic Circuits</b>														
None													0	
<b>Limit Switches</b>														
No switches														0

# Manifold and Gauge Options Ordering Information

Manifold Options	Gauge Options
XX	X
MM	N

Manifold Options (MM)				
No manifold				00
Double acting				DA
Gauge adapter				GA
Gauge manifold - NPT Threads				GM
Gauge manifold - G Threads				GC
VDI/VDE 3847 semi-integrated manifold				VE

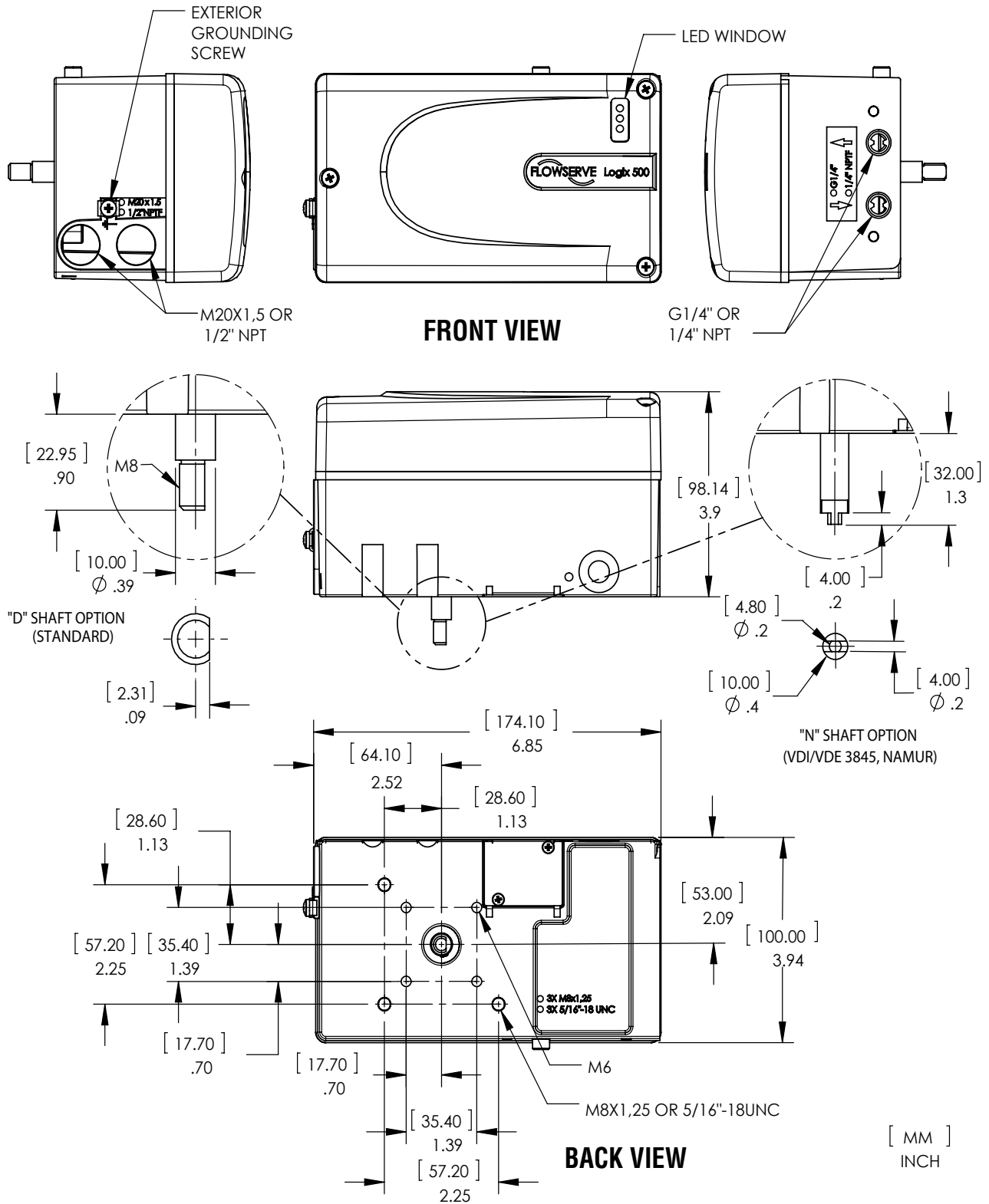
  

Gauge Options (N)				
	DA	GA	GM	
No gauges	x	x	x	0
Output, PSI/BAR/KPA Stainless steel with brass internals (qty. 1)		x	x	1
Output + Supply, PSI/BAR/KPA Stainless steel with brass internals (qty. 2)			x	2
Output + Output PSI/BAR/KPA Stainless steel with brass internals (qty. 2)	x			3
Output, PSI/BAR/KPA Stainless steel with stainless steel internals (qty. 1)		x	x	4
Output + Supply, PSI/BAR/KPA Stainless steel with stainless steel internals (qty. 2)			x	5
Output + Output, PSI/BAR/KPA Stainless steel with stainless steel internals (qty. 2)	x			6
Output, Kg/Cm <sup>2</sup> /PSI Stainless steel with brass internals (qty. 1)		x	x	7
Output + Supply, Kg/Cm <sup>2</sup> /PSI Stainless steel with brass internals (qty. 2)			x	8
Output + Output, Kg/Cm <sup>2</sup> /PSI Stainless steel with brass internals (qty. 2)	x			9
Output, Kg/Cm <sup>2</sup> /PSI Stainless steel with stainless internals (qty. 1)		x	x	A
Output + Supply, Kg/Cm <sup>2</sup> /PSI Stainless steel with stainless steel internals (qty. 2)			x	B
Output + Output, Kg/Cm <sup>2</sup> /PSI Stainless steel with stainless steel internals (qty. 2)	x			C
Any KPA gauges	x	x	x	D
Output + Output + Supply, PSI/BAR/KPA Stainless steel with brass internals (qty. 3)	x			E
Output + Output + Supply, PSI/BAR/KPA Stainless with stainless steel internals (qty. 3)	x			F
Output + Output + Supply, Kg/Cm <sup>2</sup> /PSI Stainless steel with brass internals (qty. 3)	x			G
Output + Output + Supply, Kg/Cm <sup>2</sup> /PSI Stainless with stainless steel internals (qty. 3)				H
VE Gauge Options - Consult Factory				

## Certifications

Noified Body	Certification Option	Approval	Entity Parameters	Temperature Codes	Enclosure Rating
	-02	Intrinsically Safe Class I Division 1 Groups A,B,C,D	Ui = 30V Ii = 100mA Pi = 800mW Ci = 0 Li = 0	T4 T <sub>amb</sub> <85 °C (185 °F)	NEMA 4 X
	-08	Nonincendive Class I Division 2 Goups A,B,C,D	Install per NEC Article 501-4 when barriers are not used.	T4 T <sub>amb</sub> <85 °C (185 °F)	NEMA 4 X
	-02	Intrinsically Safe Class I Division 1 Groups A,B,C,D	Ui = 30V Ii = 100mA Pi = 800mW Ci = 0 Li = 0	T4 T <sub>amb</sub> <85 °C (185 °F)	NEMA 4 X
	-08	Nonincendive Class I Division 2 Goups A,B,C,D	Install per NEC Article 501-4 when barriers are not used.	T4 T <sub>amb</sub> <85 °C (185 °F)	NEMA 4 X
	-15	II1G Ex ia IIC T4 - T6	Ui = 30V Ii = 100mA Pi = 800mW Ci = 0 Li = 0	T4 T <sub>amb</sub> < 85 °C (185 °F) T5 T <sub>amb</sub> < 55 °C (131 °F) T6 T <sub>amb</sub> < 40 °C (104 °F)	IP65

**Dimensions**



**Figure 2: Dimensional Drawing of the Logix 505si Series Digital Positoner**



**Flowserve Headquarters**

5215 N. O'Connor Blvd.  
Suite 2300  
Irving, Tx. 75039  
Phone: +1 972 443 6500

**Flowserve Corporation**

**Flow Control**  
1350 N. Mt. Springs Parkway  
Springville, UT 84663  
USA  
Phone: +1 801 489 8611  
Fax: +1 801 489 3719

**Flowserve (Austria) GmbH**

Control Valves - Villach Operation  
Kasernengasse 6  
9500 Villach  
Austria  
Phone: +43 (0)4242 41181 0  
Fax: +43 (0)4242 41181 50

**Flowserve Australia Pty Ltd.**

14 Dalmore Drive  
Scoresby, Victoria 3188  
Australia  
Phone: 61 7 32686866  
Fax: 61 7 32685466

**China**

585, Hanwei Plaza  
7 Guanghau Road  
Beijing, China 100004  
Phone: +86 10 6561 1900

**Flowserve India Controls Pvt. Ltd**

Plot # 4, 1A, E.P.I.P, Whitefield  
Bangalore Kamataka  
India 560 066  
Phone: +91 80 284 10 289  
Fax: +91 80 284 10 286

**Flowserve Essen GmbH**

Manderscheidstr. 19  
45141 Essen  
Germany  
Phone: +49 (0)201 8919 5  
Fax: +49 (0)201 8919 662

**Flowserve S.A.S.**

7, Avenue de la Libération - BP 60  
63307 Thiers Cedex  
France  
Phone: +33 (0)4 73 80 42 66  
Fax: +33 (0)4 73 80 14 24

**Flowserve Pte Ltd.**

12 Tuas Avenue 20  
Singapore 638824  
Singapore  
Phone: 65 6868 4600  
Fax: 65 6862 4940

**NAF AB**

Gelbgjutaregatan 2  
SE-581 87 Linköping  
Sweden  
Phone: +46 (0)13 31 61 00  
Fax: +46 (0)13 13 60 54

**Kämmer Valves INC.**

1300 Parkway View Drive  
Pittsburgh, Pa 15205  
USA  
Tel.: +1 412 787 8803  
Fax: +1 412 787 1944

Your contact:



All data subject to change without notice

©02.2009 Flowserve Corporation. Flowserve and Kämmer are registered trademarks of Flowserve Corporation