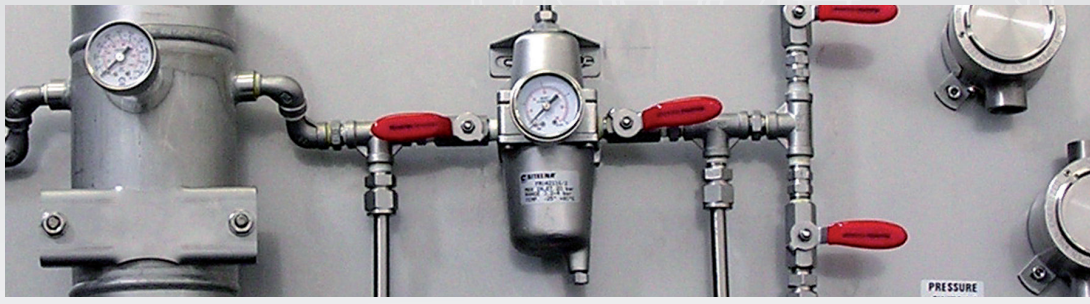


# FLUID CONTROL COMPONENTS & ENGINEERED SYSTEMS



## Quality

Sitecna® is committed to granting the highest standards of quality, safety, and responsiveness through all our activities, both internal and external.

Total quality concept is our basic strategy influencing every single choice and providing a solid base for our current and future growth.

We use our energies and skills with humility and an open mind team approach in order to meet or exceed our customers expectations for quality and performance.



Our commitment towards continuous improvements of our management is certified in accordance with ISO9001 requirements from ANCIS.

## Index - Indice



### GENERAL INFORMATION: )y=

- Company profile
- Organization
- Know how
- Customers & applications
- Engineering capabilities
- HSE policy



### PRODUCT INDEX: )y: :

- Section A /Air-gas preparation equipments
- Section B/Control valves
- Section C/Instruments & accessories



### TECHNICAL INFORMATION: )y): @B

- ISO 9001:2015
- 2014/34/UE air equipments declaration
- EAC material approval
- EN10204/3.1 certificate prototype
- PED declaration
- SIL certificate
- IP66 certificate
- Material compatibility chart
- Materials temperature range



# GENERAL INFORMATION



www.sitecna.eu

## Company Profile

Born in 1986 as a commercial company, Sitecna® has developed a very technical and high level experience in fluid control. Our know how in components and engineered systems stems from years of problem facing and solving for the most critical sectors.

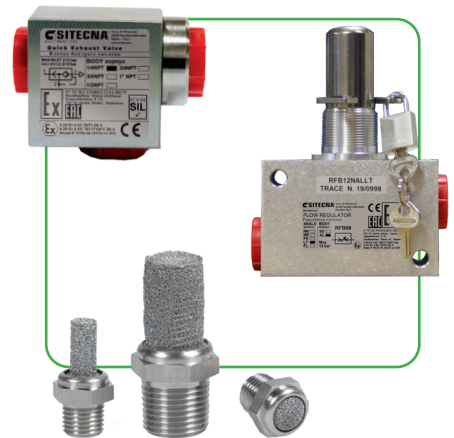
Thanks to a very experienced team of engineers 20 years ago we started to design and develop an innovative range of pneumatic products to satisfy the needs of operations critical for temperature, aggressive environments and classified areas.

Today at our headquarters located in Milan, Italy, we design, build and sell components and systems for the chemical, petrochemical, energy and glass sector, offering our range of pneumatic equipments for the most demanding applications. Our products are the standard for non-standard specifications of the most important companies in the instrumentation, analysis, safety systems, process valve control and process automation fields.

**Our range includes - but is not limited to - the following products :**

- SS316L or Aluminium alloy air/gas preparation equipments
  - filter, regulators, filter regulators, volume boosters
- SS316L or Aluminium alloy control valves
  - spool valves, lock-up valves, quick exhausts, flow regulators, poppet valves, switch valves, back pressure valves
- SS316L or special alloy instrumentation accessories
  - pressure gauges, silencers, dust excluder, vacuum pumps, flow-meters, sample probes, ball valves, fittings
- Special or standard engineered systems

**Sitecna is dedicated to developing unique and tailored products carefully listening to our customers and so improving efficiency and reliability of equipments and operations**



BT-CP/C22A



# Organization

Sitecna® 1000m<sup>2</sup> owned headquarter in Peschiera Borromeo (MI) Italy is the design, testing & stocking center for every product.

Our location very near to Linate airport and to main communication ways, allows quick deliveries and quick shipments to domestic and international customers.



Our sales organization is helped by a capillary distribution network granting assistance in all the most important areas of the world.

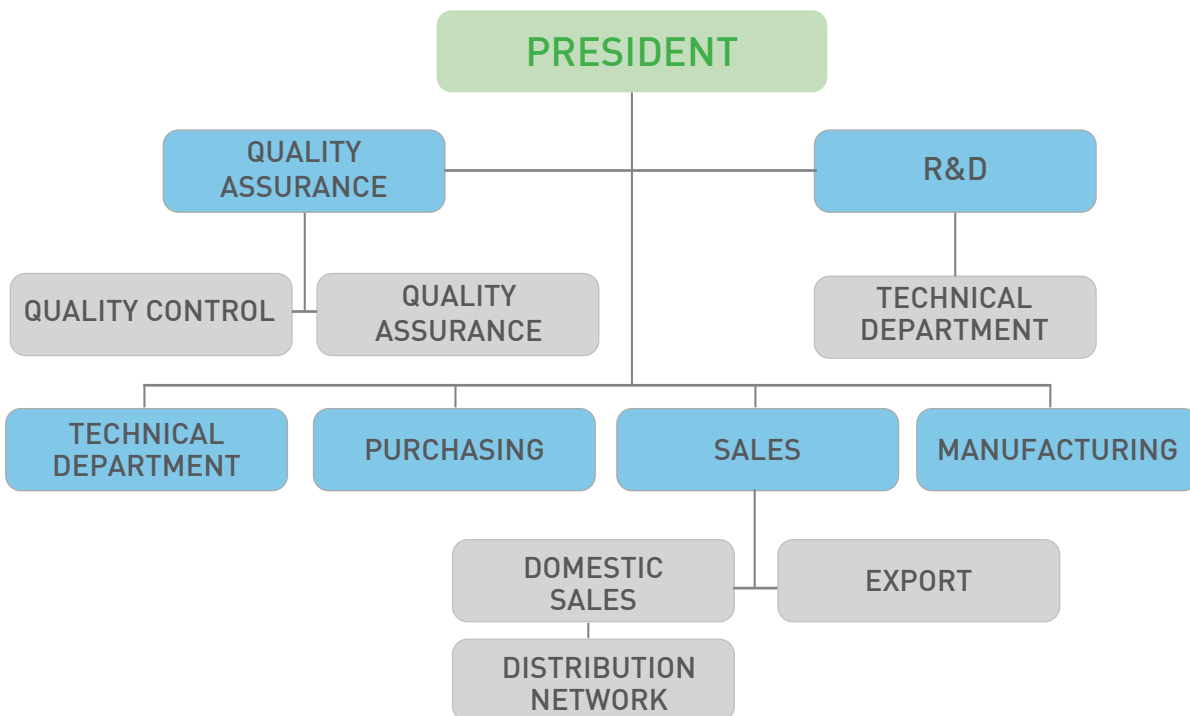
## Contacts

**General info :** [info@sitecna.eu](mailto:info@sitecna.eu)

**Sales info :** [mkt@sitecna.eu](mailto:mkt@sitecna.eu)

**Technical info :** [ufficio.tecnico@sitecna.eu](mailto:ufficio.tecnico@sitecna.eu)

**Account info :** [amministrazione@sitecna.eu](mailto:amministrazione@sitecna.eu)





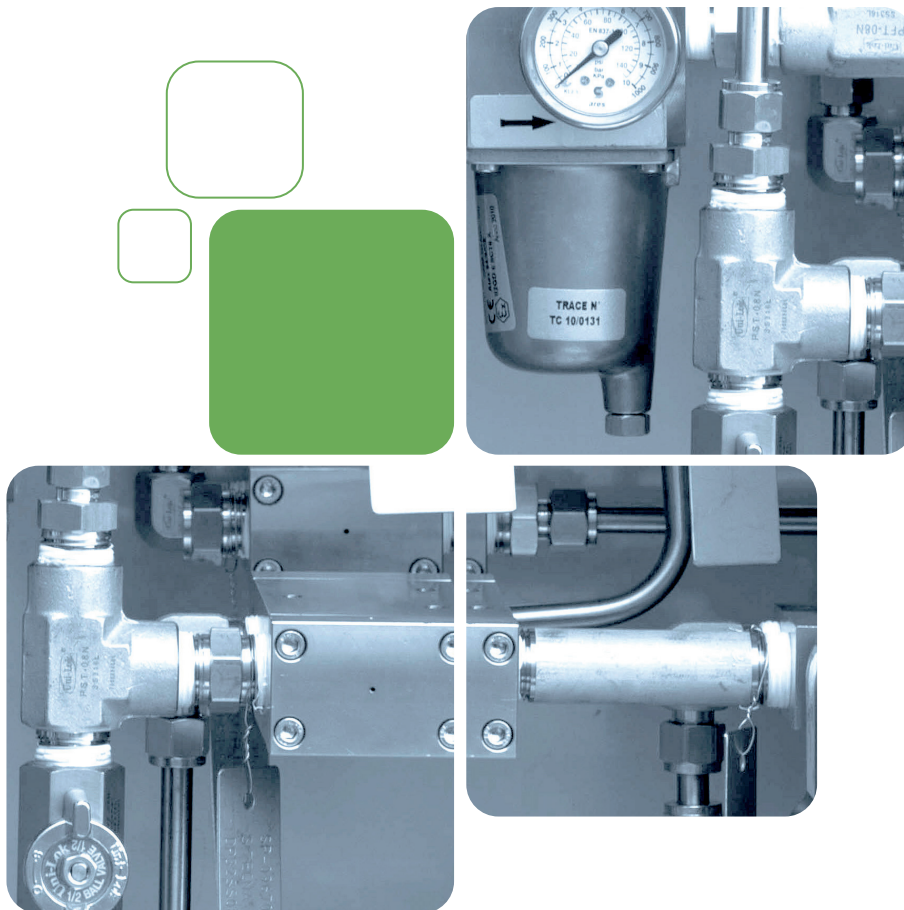
www.sitecna.eu

## Know How

Almost thirty years of experience in the design, manufacture and distribution of high quality products and solutions for the most demanding applications.

A wide products range and a high level experience to face all you critical fluid control needs.

Technical approach in developing and anticipating international standards make us your **Trusted Partner!**



BT-CP/C11A

## Customers & Applications

Sitecna has built its reputation for quality products among the largest industrial companies. End users, OEM, engineering companies are our typical customers.

Sitecna products are developed to satisfy the stringent needs of the oil, gas, petrochemical, refining, power, pharmaceutical and general process-instrumentation industries.

**Our products are used where corrosion resistance and extreme temperatures are critical factors.**





## Engineering capabilities

Our engineering team comes from years of experience in the design of technological solutions.

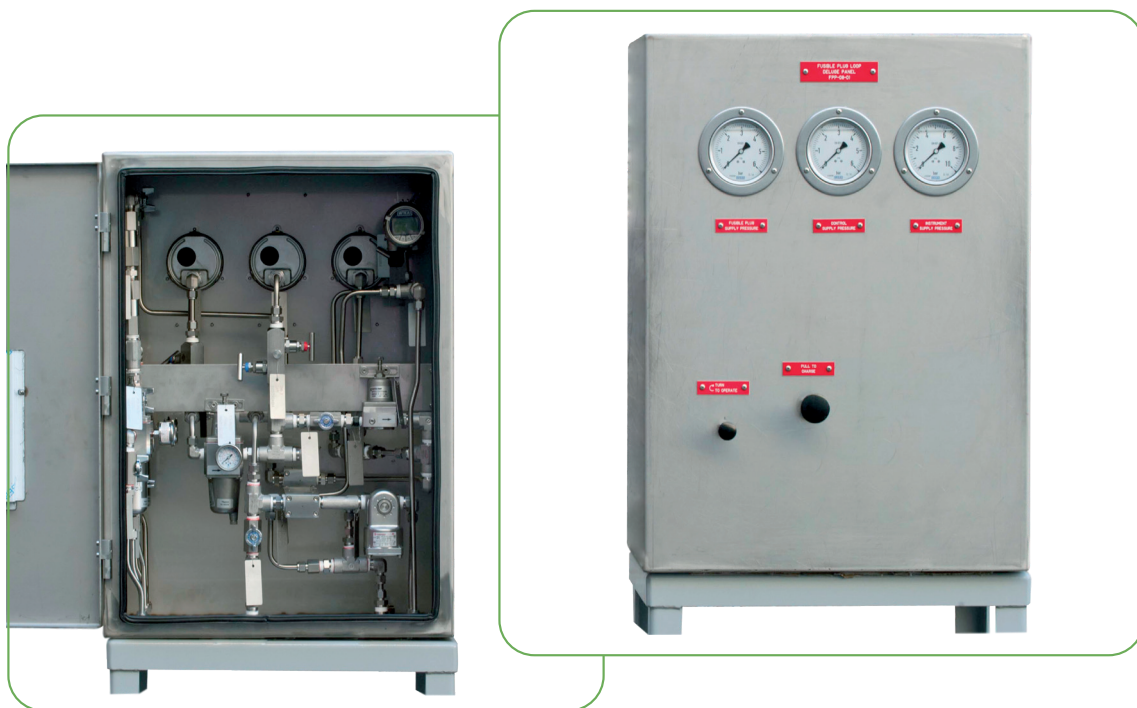
We can offer a very specific know how in the following sectors:

**Electro-pneumatic automation**

**Analysis**

**Fire & gas**

**Instrumentation**



# Health, Safety and Environment Policy - HSE

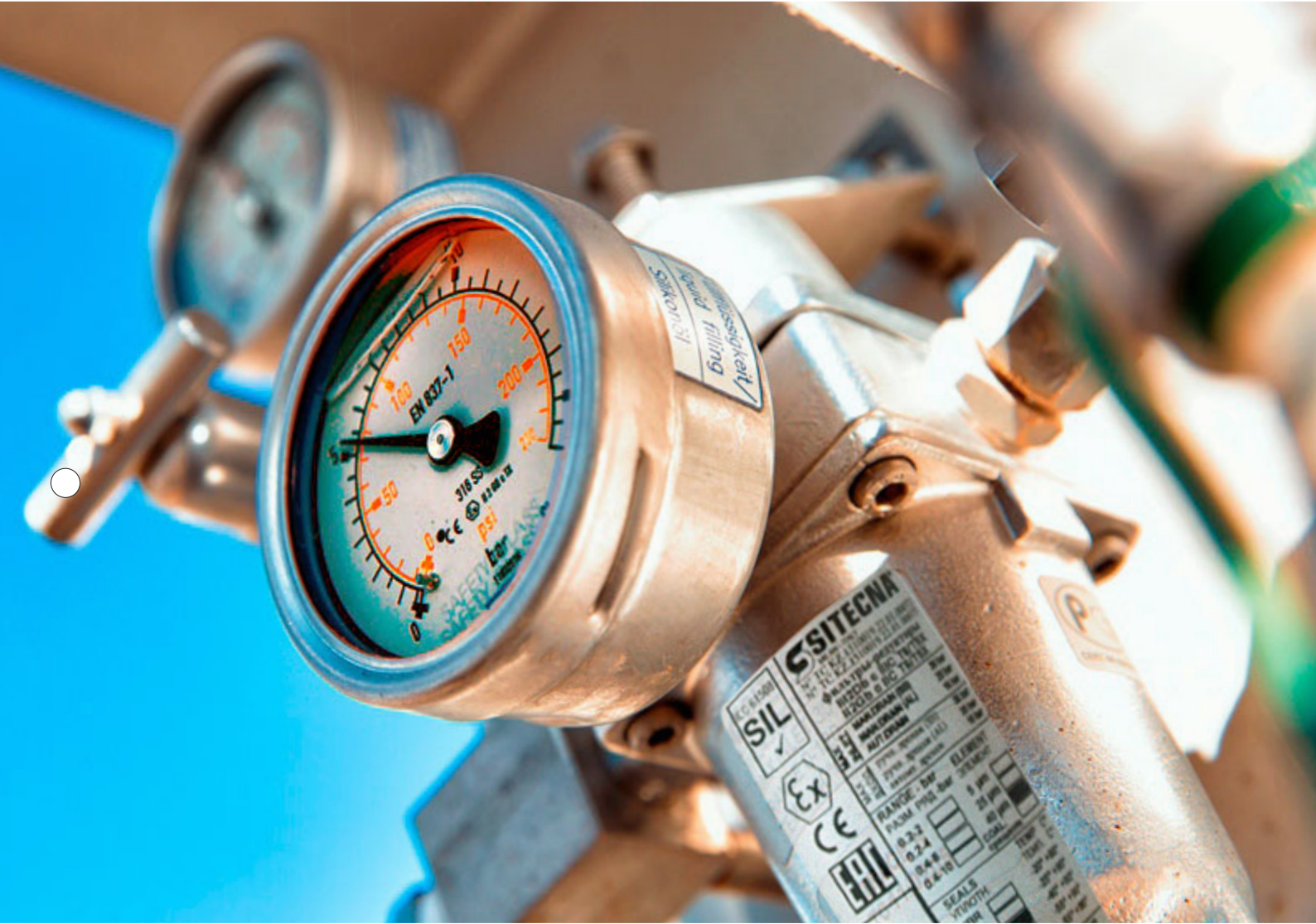
Sitecna® management is committed to providing a safe and healthful place of work throughout all of our facilities, offices and work sites and to make every effort towards eliminating any environmentally adverse effects of our operations.

We implements and continually improves an HSE management by:

- **providing adequate control of the health and safety risks arising from our work activities;**
- **providing and maintaining safe plant and equipments;**
- **ensuring safe handling and use of substances;**
- **providing information, instruction and supervision for employees;**
- **ensuring all employees are competent to do their tasks, and to give them adequate training;**
- **maintaining safe and healthy working conditions and reviewing and revising this policy as necessary at regular intervals.**

Our management is also committed to achieve improvements in the overall company environmental performance including prevention of pollution and conservation of natural resources.

**All our needed electric energy is generated by the photovoltaic plant on the roof of our structure.**



## PRODUCTS

- Section A /Air-gas preparation equipments p.12
- Section B/Control valves p. 10<
- Section C/Instruments & accessories p. 1?:

## Section A – Air/gas Preparation Equipments Sezione A – Apparecchi per trattamento aria/gas

**A complete range of components for air-gas preparation designed to be used in the harshest environments**

- Pressure regulators, Filter regulators, Filters, Volume Boosters
- Standard Sizes 1/4", 3/8", 1/2", 3/4", 1" NPT (1 1/2" & 2" for filters)
- Copper free aluminum alloy or Stainless steel 316 complete construction
- Standard seals & diaphragm available in NBR, EPDM, FVQM, FKM, HNBR
- Standard filtering elements available coalescing type or 3, 5, 25 and 40 micron in SS316
- Temperature range from -60°C to 90°C
- Manual o automatic condensate drain
- Relieving or Non relieving versions
- Max inlet pressure to 30bar
- Full material traceability
- EN10204 3,1, ATEX, SIL, IP66 and EAC TR CU certified range
- 100% Italian production



**Una gamma di componenti per il trattamento di aria e gas progettata per l'utlizzo negli ambienti più insospitati**

- Regolatori di pressione, Filtri regolatori, Filtri, Amplificatori di flusso
- Connessioni std da 1/4", 3/8", 1/2", 3/4", 1" NPT (1 1/2", 2" per i filtri)
- Costruzione completamente in alluminio esente rame o acciaio inossidabile AISI316
- Tenute e diaframmi std in NBR, EPDM, FKM, HNBR
- Elementi filtranti a coalescenza od in SS316 da 3, 5, 25 o 40 micron
- Temperature da -60°C a +90°C
- Scarichi condensa automatici o manuali
- Pressioni di alimentazione fino a 30BAR
- Completa rintracciabilità di tutti i componenti
- Certificati EN10204 3,1, ATEX, SIL, IP66, EAC TR CU
- Produzione 100% italiana

# Index - Indice

**p. 16 Ordering information**

Informazioni per l'ordine

**Filters**

Filtri



**p. 17 Copper free aluminum alloy filters**

Filtri in lega di alluminio esente rame

**1/4", 3/8", 1/2", 3/4", 1", 1 1/2", 2"NPT  
coalescing, 5 micron, 25 micron, 40 micron**



**p. 29 Stainless steel 316L pneumatic filters**

Filtri per pneumatica in AISI316L

**1/4", 3/8", 1/2", 3/4", 1", 1 1/2", 2"NPT  
coalescing, 5 micron, 25 micron, 40 micron**



**p. 29 Stainless steel 316L high pressure pneumatic filters**

Filtri per pneumatica in AISI316L

**1/4", 3/8", 1/2"  
coalescing, 5 micron, 25 micron, 40 micron**



**p. 41 AISI316L filters with borosilicate bowl**

Filtri con tazza inferiore in vetro borosilicato AISI316L

**NEW  
PRODUCT**

**1/4"NPT  
coalescing, 3 micron, 5 micron, 40 micron**



**p. 44 Stainless steel 316L miniaturized filters**

Filtri per pneumatica in AISI316L

**1/4"NPT  
coalescing, 5 micron, 25 micron**



**p. 46 Copper free aluminum alloy filter regulators**

Regolatori di pressione in lega di alluminio esente

**1/4"NPT**



**p. 47 Ordering information**

Informazioni per l'ordine

**Pressure regulators**

Regolatori di pressione



**p. 48 Copper free aluminum alloy pressure regulators**

Regolatori di pressione in lega di alluminio esente rame

**1/4", 3/8", 1/2", 3/4", 1"NPT**



**p. 57 Stainless steel 316L pressure regulators**

Regolatori di pressione in AISI316L

**1/4", 3/8", 1/2", 3/4", 1"NPT**



**p. 66 Ordering information**

Informazioni per l'ordine

**Filters regulators**

Filtri Regolatori



**p. 67 Copper free aluminum alloy pressure regulators**

Regolatori di pressione in lega di alluminio esente rame

**1/4", 1/4" high flow, 3/8", 1/2", 3/4", 1"NPT**

**NEW  
PRODUCT**



**p. 79 Stainless steel 316L filter regulators**

Filtri regolatori di pressione in AISI316L

**1/4", 1/4" high flow, 3/8", 1/2", 3/4", 1"NPT**

**NEW  
PRODUCT**



**p. 92** **Ordering information**

Informazioni per l'ordine

**Volume Boosters**

Amplificatori di flusso



**p. 93** **Copper Free aluminium alloy volume booster**

Amplificatore di flusso in lega di alluminio esente rame

**1/4", 1/2", 3/4", 1"NPT**

**Free exhaust, threaded exhaust port**



**p. 97** **Stainless steel 316L volume booster**

Amplificatore di flusso in AISI316L

**1/4", 1/2", 3/4", 1"NPT**

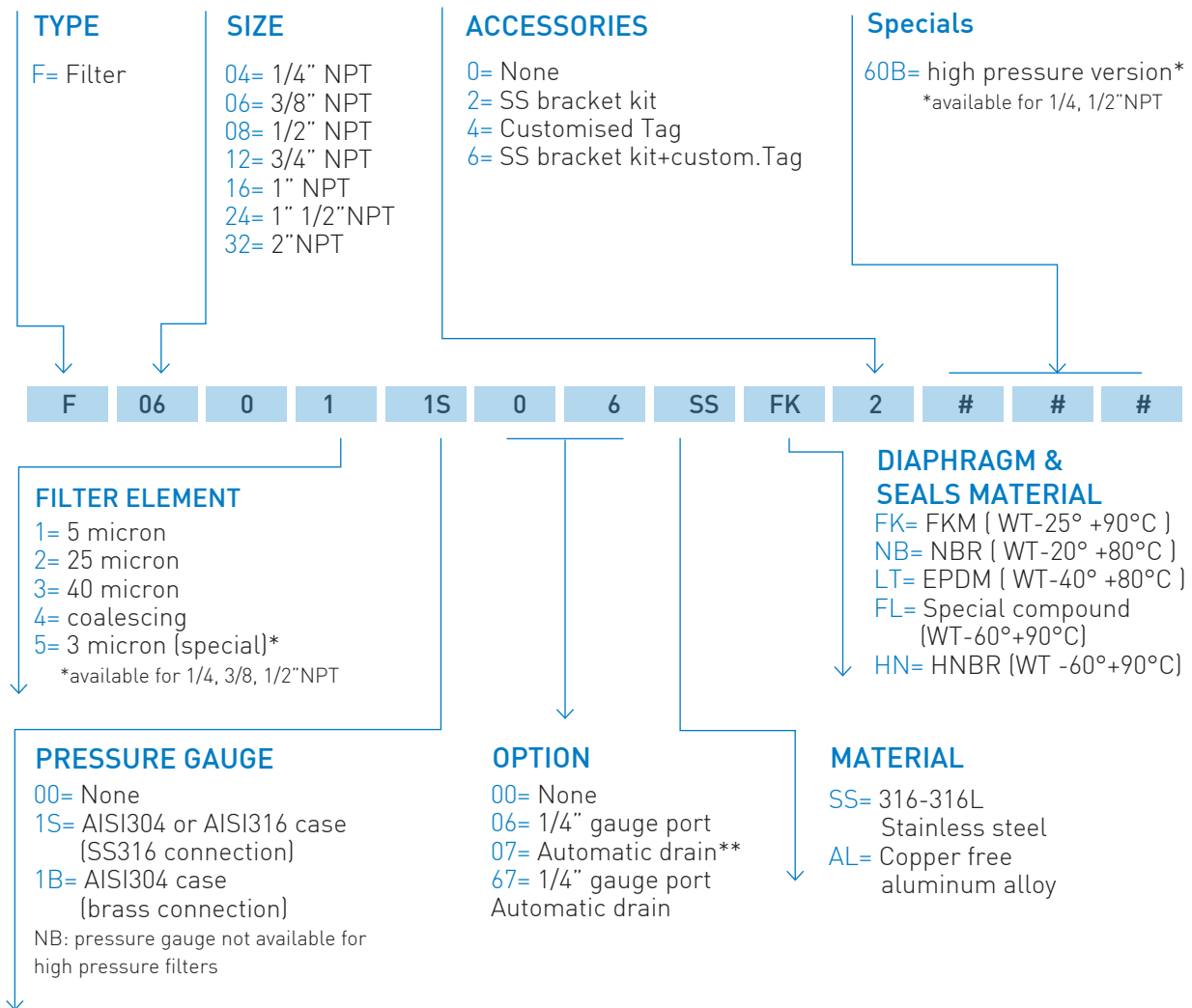
**Free exhaust, threaded exhaust port**



# Ordering information - Filters

Come ordinare - Filtri

www.sitecna.eu



## CODE EXAMPLES

F 04 0 4 1S 0 0 SS FK 2

**1/4" NPT, SS316 filter regulator, with coalescing filtering element, SS pressure gauge, manual drain, ss bracket kit and FKM diaphragm & seals**  
 Filtro da 1/4" NPT in AISI316, elemento filtrante da coalescenza, manometro tutto inox, scarico condensa manuale, staffa inox, diaframma e tenute in FKM

F 32 0 1 00 0 7 AL NB 0

**2" NPT, aluminum alloy filter, with 5 micron filtering element, automatic drain and NBR diaphragm & seals**  
 Filtro da 2" NPT in alluminio esente rame, elemento filtrante da 5 micron, scarico condensa automatico, diaframma e tenute in FKM



**\*\* Note for automatic drain: use not recommended for T < 2°C (under this T the moisture in the medium could freeze and cause drain malfunction or breaking) / Nota per scarico automatico: uso non raccomandato per T < 2°C (sotto questa T la condensa può ghiacciare e causare malfunzionamenti o rotture).**

01-F/23A

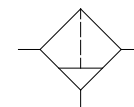


www.sitecna.eu

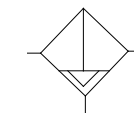
### Copper free aluminum alloy 1/4" NPT filter- F serie

Filtro da 1/4" NPT in lega di alluminio esente rame- serie F

- Suitable to automation equipment, to onshore, offshore, pharmaceutical, medical and food applications
- Full material traceability
- High flow capacity
- ATEX 2014/34/UE II 2G Ex h IIC T6/T5 Gb X  
II 2D Ex h IIIC T85°C/T100°C Db X
- & approved /IP66
- Adatto per automazione in applicazioni marine, petrolchimiche, farmaceutiche, medicali e alimentari.
- Completa rintracciabilità dei materiali
- Elevate portate
- ATEX 2014/34/UE II 2G Ex h IIC T6/T5 Gb X  
II 2D Ex h IIIC T85°C/T100°C Db X
- Approvato ed / IP66



Manual Drain



Automatic Drain

<b>Media / Fluido</b>	<b>Compressed air, inert gases, sweet and sour gases</b>
<b>Port thread / Connessioni</b>	<b>1/4"</b>
<b>Gauge Connection</b> Connessione manometro	<b>1/8"NPT (1/4"NPT option)</b>
<b>Filtering element</b> Elemento filtrante	<b>Coalescing or 3, 5, 25, 40 micron in st. st. 316</b>
<b>Max inlet pressure</b> Pressione massima di ingresso	<b>25bar (16bar automatic drain version)</b>
<b>Drain valve / Scarico condensa</b>	<b>manual or automatic</b>
<b>Flow Rate (@6 bar Inlet pressure, delta P=0.5bar)/ Portata</b>	<b>1/4" - 1000dm3/min Cv=1,4</b>
<b>Working Temperature</b> Temperatura di esercizio	<b>-20°C up to 80°C (NBR); -25°C up to 90°C (FKM); -40°C up to 80°C (EPDM); -60° up to 90°C (FVMQ)*</b>

Air supply must be dry enough to avoid ice formation at temperatures below +2°C (+35°F).

\*Special version in HNBR (WT -60°C + 90°C)

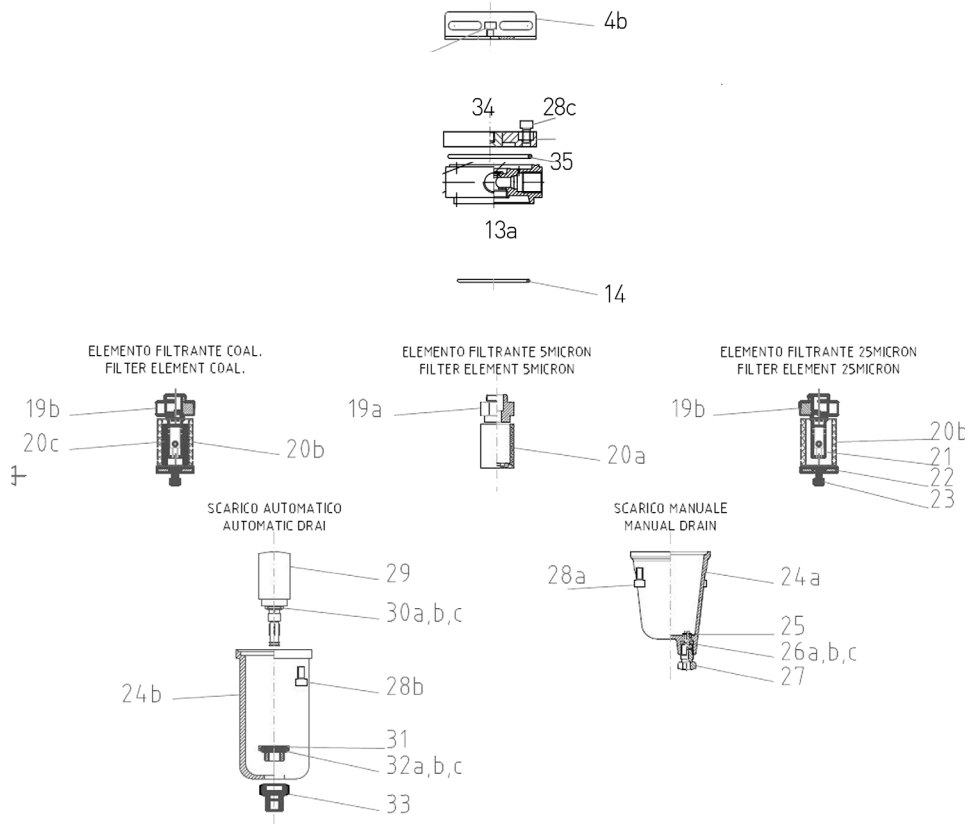
**It provides excellent filtration for a wide range of applications. Rugged and corrosion-resistant – made of copper free aluminium alloy and AISI304/316 stainless steel. Compact small package size / Permette una filtrazione accurata per una vasta gamma di applicazioni. Robusto e resistente alla corrosione – Costruito in lega di alluminio esente rame tropicalizzata e SS304/316. Dimensioni di ingombro ridotte**

<b>BUILDING MATERIALS</b>	Materiali costruttivi
<b>Body, bonnet, bowl in tropicalized aluminum</b>	Corpo, coperchio, tazza in lega di alluminio tropicalizzata
<b>Internals, bracket, lock and panel nuts, fixing screws in stainless steel</b>	Particolari interni, staffa, dadi di bloccaggio a pannello, viti di fissaggio in acciaio inossidabile
<b>Seals in elastomer</b>	Tenute in elastomero
<b>3, 5, 25 &amp; 40 micron filtering element in AISI316 stainless steel</b>	Elemento filtrante da 3, 5, 25 e 40 micron in acciaio inossidabile AISI316
<b>Coalescing filtering element in bonded micro-fibre</b>	Elemento filtrante a coalescenza in microfibra

BT-F04AL/C23A

## Product exploded view

Esploso del prodotto



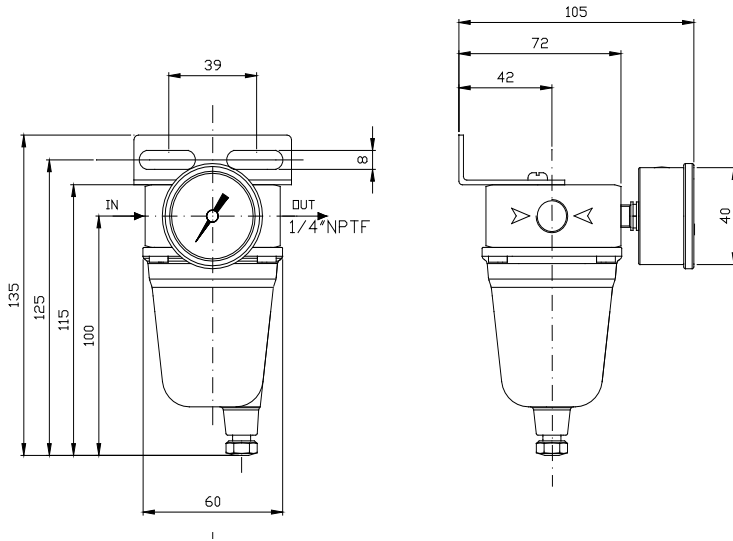
Pos.	Q.ty	Description	Descrizione
3	1	BRACKET NUT	DADO STAFFA
4b	1	BRACKET	STAFFA
13a	1	BODY	CORPO
14	2	O-RING	O-RING
19a	1	FILTER ELEMENT SUPPORT 5mic	SUPPORTO ELE. FILTRANTE 5 MIC
19b	1	FILTER ELEMENT SUPPORT 25mic	SUPPORTO ELE. FILTRANTE 25 MIC
20a	1	FILTER ELEMENT 5 MICRON	ELEMENTO FILTRANTE 5 MIC
20b	1	FILTER ELEMENT 25 MICRON	ELEMENTO FILTRANTE 25 MIC
20c	1	FILTER ELEMENT COALESCING	ELEMENTO FILTRANTE COALESC.
21	1	FILTER ELEMENT SUPPORT	SUPPORTO ELE. FILTRANTE
22	1	FILTER ELEMENT CASEBACK	BASE ELEMENTO FILTRANTE
23	1	SCREW M4X6	VITI M4X6
24a	1	MANUAL DRAIN BOLW	TAZZA SCARICO MANUALE
24b	1	AUTOMATIC DRAIN BOLW	TAZZA SCARICO AUTOMATICO
25	1	BENZIN	ANELLO BENZIN
26	1	O-RING	O-RING
27	1	MANUAL DRAIN	SCARICO MANUALE
28a	4	SCREW MAN. DRAIN M5X10	VITI SCARICO MANUALE M5X10
28b	4	SCREW AUTO DRAIN M5X16	VITI SCARICO AUTO M5X16
28c	4	BONNET SCREW M5X10	VITI PIATTELLO SPERIORE M5X10
29	1	AUTOMATIC DRAIN	SCARICO AUTOMATICO
30	1	O'RING AUTO DRAIN	O'RING SCARICO AUTO
31	1	AUTOMATIC DRAIN SEAT	SEDE SCARICO AUTOMATICO
32	1	O'RING AUTOM. DRAIN	O'RING SCARICO AUTO
33	1	AUTOMATIC DRAIN SEAT	SEDE SCARICO AUTOMATICO
34	1	FILTER TOP	PIATTELLO SUPERIORE
35	1	O-RING	O-RING

## Overall dimension

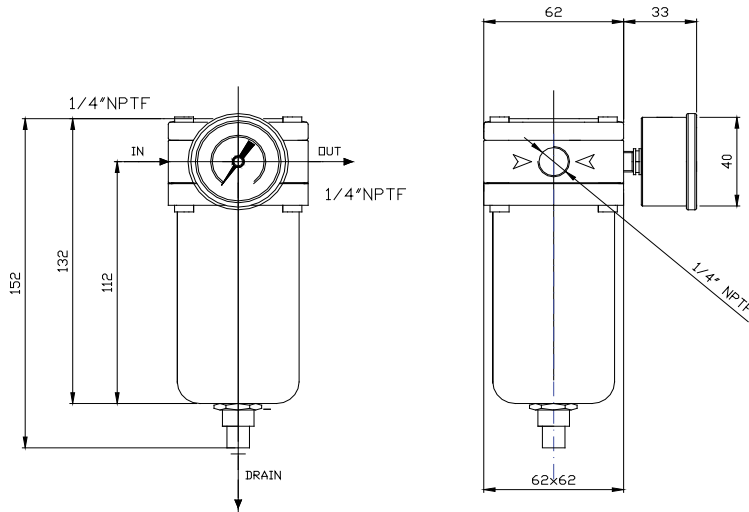
Dimensioni di ingombro

### Manual drain Scarico manuale

F04 A = 1/4"



### Automatic drain Scarico automatico



**Note for automatic drain:**  
 - max inlet pressure 16bar  
 - not recommended for T<2°C

Nota per scarico automatico:  
 - massima pressione di utilizzo 16bar  
 - non raccomandato per T<2°C

## Accessories and repair kit

Accessori e ricambi




Maintenance kit / Kit manutenzione	Items K-F04-* -0-AL-** [1/4"]
Pressure gauge DN40mm, all AL Bar+psi+kpa range / Manometro DN40mm, cassa inox, scala Bar+psi+kpa	0-2bar MBSNP4S2PN3S 0-4bar MBSNP4S2PN05 0-10bar MBSNP4S2PN07
Bracket / Staffa	SQ-FR04/S




\* Refers to filter element option: 1→5 micron; 2→25 micron; 3→40 micron ; 4→coalescing; 5→3 micron

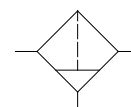
\*\* Refers to seals type: FK→FKM NB→NBR LT→EPDM FL→FVMQ HN→HNBR

## Copper free aluminum alloy 3/8" - 1/2" NPT filter- F serie

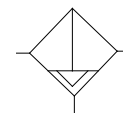
Filtro da 3/8" - 1/2" NPT in lega di alluminio esente rame- serie F

- Suitable to automation equipment, to onshore, offshore, pharmaceutical, medical and food applications
- Full material traceability
- High flow capacity
- ATEX 2014/34/UE  II 2G Ex h IIC T6/T5 Gb X  
II 2D Ex h IIIC T85°C/T100°C Db X
-  &  approved /IP66

- Adatto per automazione in applicazioni marine, petrolchimiche, farmaceutiche, medicali e alimentari.
- Completa rintracciabilità dei materiali
- Elevate portate
- ATEX 2014/34/UE  II 2G Ex h IIC T6/T5 GbX  
II 2D Ex h IIIC T85°C/T100°C Db X
- Approvato  ed  / IP66



Manual Drain



Automatic Drain

<b>Media / Fluido</b>	<b>Compressed air, inert gases, sweet and sour gases</b>
<b>Port thread / Connessioni</b>	<b>3/8"-1/2" NPT</b>
<b>Gauge Connection</b> Connessione manometro	<b>1/8"NPT (1/4"NPT option)</b>
<b>Filtering element</b> Elemento filtrante	<b>Coalescing or 3, 5, 25, 40 micron in st. st. 316</b>
<b>Max inlet pressure</b> Pressione massima di ingresso	<b>25bar (16bar automatic drain version)</b>
<b>Drain valve / Scarico condensa</b>	<b>manual or automatic</b>
<b>Flow Rate (@6 bar Inlet pressure, delta P=0.5bar)/ Portata</b>	<b>1/2" - 4815dm3/min Cv=6,6</b>
<b>Working Temperature</b> Temperatura di esercizio	<b>-20°C up to 80°C (NBR); -25°C up to 90°C (FKM); -40°C up to 80°C (EPDM); -60° up to 90°C (FVMQ)*</b>

Air supply must be dry enough to avoid ice formation at temperatures below +2°C (+35°F).

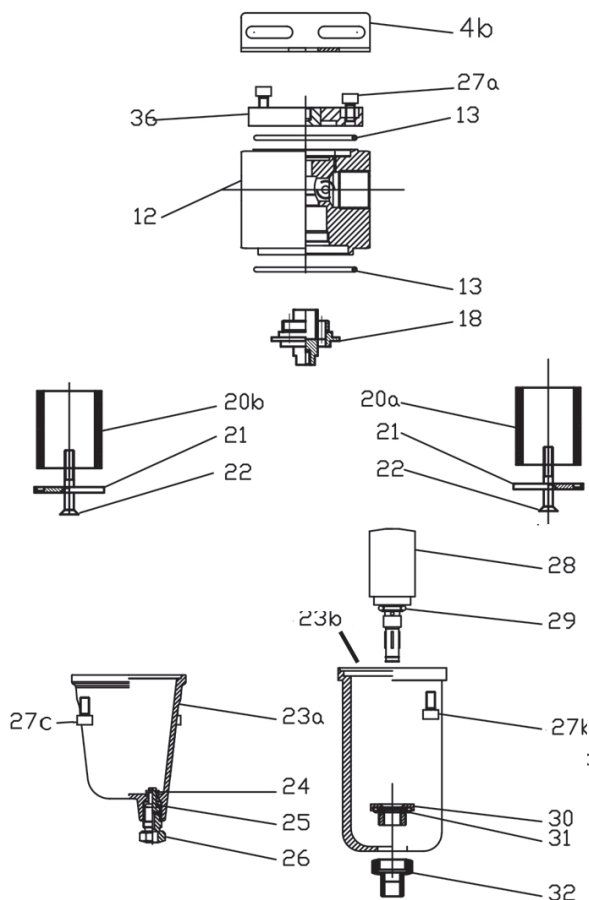
\*Special version in HNBR (WT -60°C + 90°C)

**It provides excellent filtration for a wide range of applications. Rugged and corrosion-resistant – made of copper free aluminium alloy and AISI304/316 stainless steel. Compact small package size / Permette una filtrazione accurata per una vasta gamma di applicazioni. Robusto e resistente alla corrosione – Costruito in lega di alluminio esente rame tropicalizzata e SS304/316. Dimensioni di ingombro ridotte**

<b>BUILDING MATERIALS</b>	Materiali costruttivi
<b>Body, bonnet, bowl in tropicalized aluminum</b>	Corpo, coperchio, tazza in lega di alluminio tropicalizzata
<b>Internals, bracket, lock and panel nuts, fixing screws in stainless steel</b>	Particolari interni, staffa, dadi di bloccaggio a pannello, viti di fissaggio in acciaio inossidabile
<b>Seals in elastomer</b>	Tenute in elastomero
<b>3, 5, 25 &amp; 40 micron filtering element in AISI316 stainless steel</b>	Elemento filtrante da 3, 5, 25 e 40 micron in acciaio inossidabile AISI316
<b>Coalescing filtering element in bonded micro-fibre</b>	Elemento filtrante a coalescenza in microfibra

**Product exploded view**

Esploso del prodotto



Pos.	Q.ty	Description	Descrizione
4b	1	BRACKET F04	STAFFA
12	1	BODY	CORPO
13	2	O-RING	O-RING
18	1	FILTER ELEMENT SUPPORT	SUPPORTO ELE. FILTRANTE
20a	1	FILTER ELEMENT 5 MICRON	ELEMENTO FILTRANTE 5 MIC
20b	1	FILTER ELEMENT 25 MICRON	ELEMENTO FILTRANTE 25 MIC
21	1	FILTER ELEMENT PLUG	BASE ELEMENTO FILTRANTE
22	1	SCREW M5X30	VITE M5X30
23a	1	MANUAL DRAIN BOLW	TAZZA SCARICO MANUALE
23b	1	AUTOMATIC DRAIN BOLW	TAZZA SCARICO AUTOMATICO
24	1	BENZIN	ANELLO BENZIN
25	1	O-RING DRAIN	O-RING DRAIN
26	1	MANUAL DRAIN	SCARICO MANUALE
27a	4	SCREW M5X10	VITI PIATTELLO SUPERIORE M5X10
27b	4	SCREW AUTO DRAIN M5X16	VITI SCARICO AUTO M5X16
27c	4	SCREW MAN DRAIN M5X10	VITI SCARICO MANUALE M5X10
28	1	AUTOMATIC DRAIN	SCARICO AUTOMATICO
29	1	O-RING AUTO DRAIN	O-RING SCARICO AUTO
30	1	AUTOMATIC DRAIN SEAT	SEDE SCARICO AUTOMATICO
31	1	O-RING AUTO DRAIN	O-RING SCARICO AUTO
32	1	AUTOMATIC DRAIN SEAT	SEDE SCARICO AUTOMATICO
36	1	FILTER TOP	PIATTELLO SUPERIORE

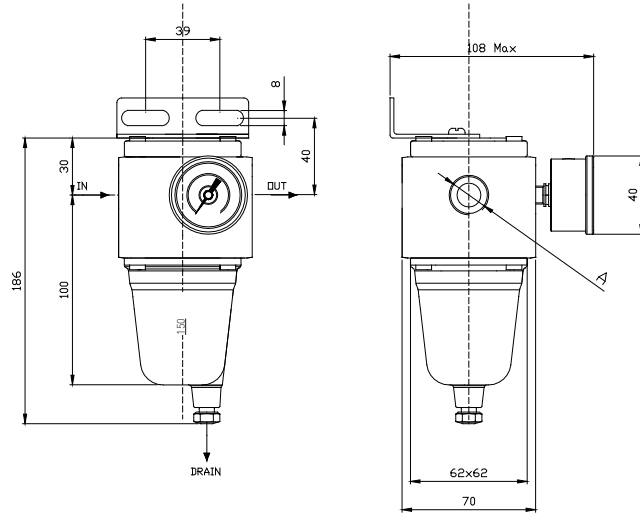
BT-F08AL/C23B

## Overall dimension

Dimensioni di ingombro

### Manual drain

Scarico manuale



F06 A = 3/8"

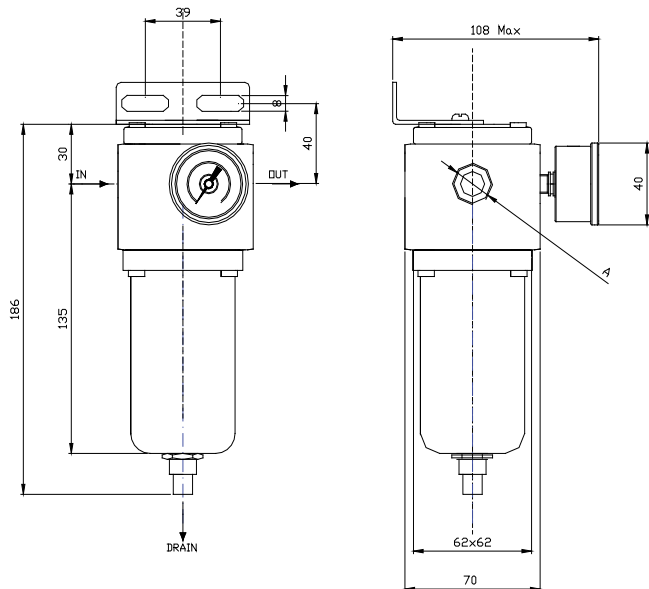
F08 A = 1/2"

### Automatic drain

Scarico automatico

**Note for automatic drain:**  
 - max inlet pressure 16bar  
 - not recommended for  $T < 2^{\circ}\text{C}$

Nota per scarico automatico:  
 - massima pressione di utilizzo 16bar  
 - non raccomandato per  $T < 2^{\circ}\text{C}$



## Accessories and repair kit

Accessori e ricambi

Maintenance kit / Kit manutenzione	Items K-F08-*-0-AL-**
Pressure gauge DN40mm, all AL Bar+psi+kpa range / Manometro DN40mm, cassa inox, scala Bar+psi+kpa	0-2bar MBSNP4S2PN3S 0-4bar MBSNP4S2PN05 0-10bar MBSNP4S2PN07
Bracket / Staffa	SQ-FR04/S

\* Refers to filter element option: 1→5 micron; 2→25 micron; 3→40 micron ; 4→coalescing; 5→3 micron

\*\* Refers to seals type: FK→FKM NB→NBR LT→EPDM FL→FVMQ HN→HNBR

### Copper free aluminum alloy 3/4"-1"NPT filter – F serie

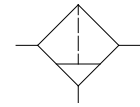
Filtro da 3/4" - 1"NPT in lega di alluminio esente rame – serie F

www.sitecna.eu

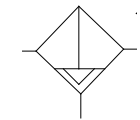
- Suitable for automation equipment to onshore, offshore, pharmaceutical, medical and food applications
- Full material traceability
- High flow capacity
- ATEX 2014/34/UE II 2G Ex h IIC T6/T5 Gb X  
II 2D Ex h IIIC T85°C/T100°C Db X
- & approved / IP66

- Adatto per automazione in applicazioni marine, petrolchimiche, farmaceutiche, medicali e alimentari
- Completa rintracciabilità dei materiali
- Elevate portate
- ATEX 2014/34/UE II 2G Ex h IIC T6/T5 Gb X  
II 2D Ex h IIIC T85°C/T100°C Db X

- Approvato ed / IP66



Manual Drain



Automatic Drain

<b>Media / Fluido</b>	<b>Compressed air, inert gases, sweet and sour gases</b>
<b>Port thread / Conessioni</b>	<b>3/4"-1" NPT</b>
<b>Gauge Connection</b> Connessione manometro	<b>1/4"NPT (1/8"NPT option)</b>
<b>Filtering element</b> Elemento filtrante	<b>Coalescing or 5, 25, 40 micron in st. st. 316</b>
<b>Max inlet pressure /</b> Pressione massima di ingresso	<b>25bar (16bar automatic drain version)</b>
<b>Drain valve/ Scarico condensa</b>	<b>Manual or automatic</b>
<b>Flow Rate (at 6 bar Inlet pressure, delta P=0.35bar)/ Portata</b>	<b>3/4" - 7500dm<sup>3</sup>/min Cv=12,2 1" - 10000dm<sup>3</sup>/min Cv=16,3</b>
<b>Working temperature /</b> Temperatura di esercizio	<b>-20°C up to 80°C (NBR); -25°C up to 90°C (FKM); -40°C up to 80°C (EPDM); -60° up tp 90°C (FVMQ)*</b>

Air supply must be dry enough to avoid ice formation at temperatures below +2°C (+35°F).

\*Special version in HNBR (WT -60°C + 90°C)

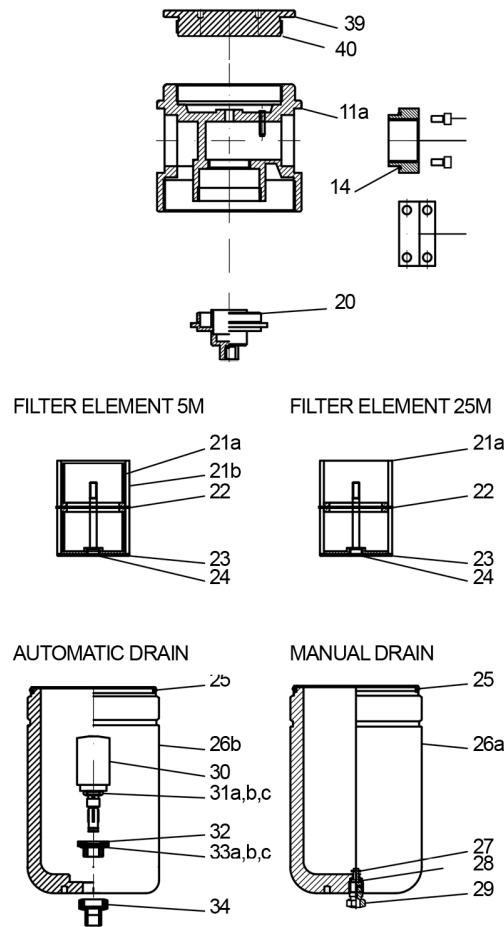
It provides excellent filtering for a wide range of applications. Rugged and corrosion-resistant – made of barstock aluminium alloy and AISI304/316 / Permette una filtrazione accurata per una vasta gamma di applicazioni. Robusto e resistente alla corrosione – Costruito in lega di alluminio tropicalizzata e AISI304/316

<b>BUILDING MATERIALS</b>	Materiali costruttivi
<b>Body, bonnet, bowl in tropicalized aluminium</b>	Corpo, coperchio, tazza in lega di alluminio tropicalizzata
<b>Internals, bracket, lock and panel nuts, fixing screws in stainless steel</b>	Particolari interni, staffa, dadi di bloccaggio a pannello, viti di fissaggio in acciaio inossidabile
<b>Seals in elastomer</b>	Tenute in elastomero
<b>5, 25 &amp; 40 micron filtering element in AISI316 stainless steel</b>	Elemento filtrante da 5, 25 e 40 micron in acciaio inossidabile AISI316
<b>Coalescing filtering element in bonded micro-fibre</b>	Elemento filtrante a coalescenza in microfibra

BT-F16AL/C23A

## Product exploded view

Esploso del prodotto



Pos.	Q.ty	Description	Descrizione
11a	1	BODY	CORPO
13	2	CONNECTION	FLANGE
14	2	O'RING	O'RING
15	2	BRACKET	STAFFA
20	1	FILTER ELEMENT SUPPORT	SUPPORTO ELE. FILTRANTE
21a	2	FILTER ELEMENT 5 MICRON	ELEMENTO FILTRANTE 5 MIC
21b	2	FILTER ELEMENT 25 MICRON	ELEMENTO FILTRANTE 25 MIC
22	1	FILTER ELEMENT RING	ANELLO ELEMENTO FILTRANTE
23	1	FILTER ELEMENT PLUG	BASE ELEMENTO FILTRANTE
24	1	FILTER ELEMENT SCREW	VITE ELEMENTO FILTRANTE
25	1	O'RING BOWL	O'RING TAZZA
26a	1	MANUAL DRAIN BOWL	TAZZA SCARICO MANUALE
26b	1	AUTOMATIC DRAIN BOWL	TAZZA SCARICO AUTOMATICO
27	1	BENZIN	ANELLO BENZIN
28	1	O'RING DRAIN	O'RING DRAIN
29	1	MANUAL DRAIN	SCARICO MANUALE
30	1	AUTOMATIC DRAIN	SCARICO AUTOMATICO
31	1	O'RING AUTO DRAIN	O'RING SCARICO AUTO
32	1	AUTOMATIC DRAIN SEAT	SEDE SCARICO AUTOMATICO
33	1	O'RING AUTO DRAIN	O'RING SCARICO AUTO
34	1	AUTOMATIC DRAIN SEAT	SEDE SCARICO AUTOMATICO
35	8	SCREW M5x16 DIN 912 A2	VITI M5X16
39	1	FILTER TOP	PIATTELLO SUPERIORE
40	1	O'RING	O'RING

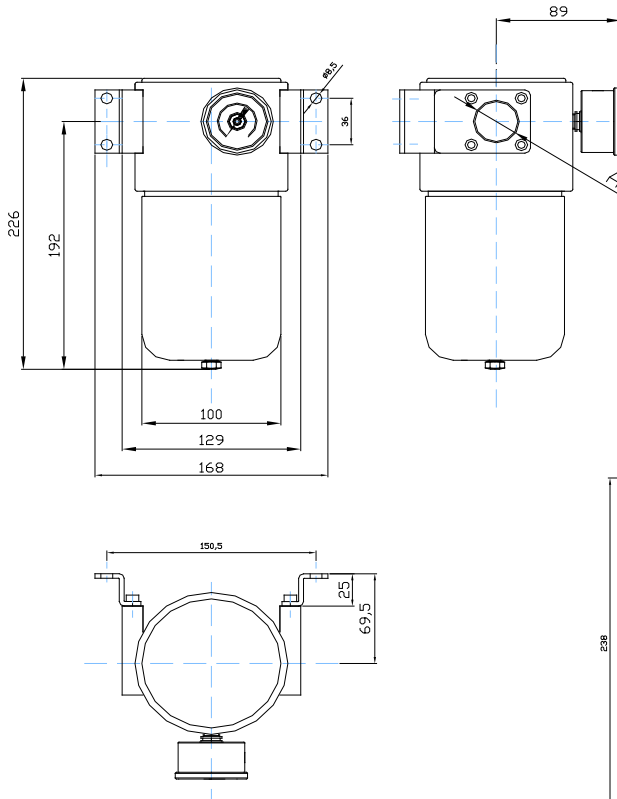


## Overall dimension

Dimensioni di ingombro

### Manual drain

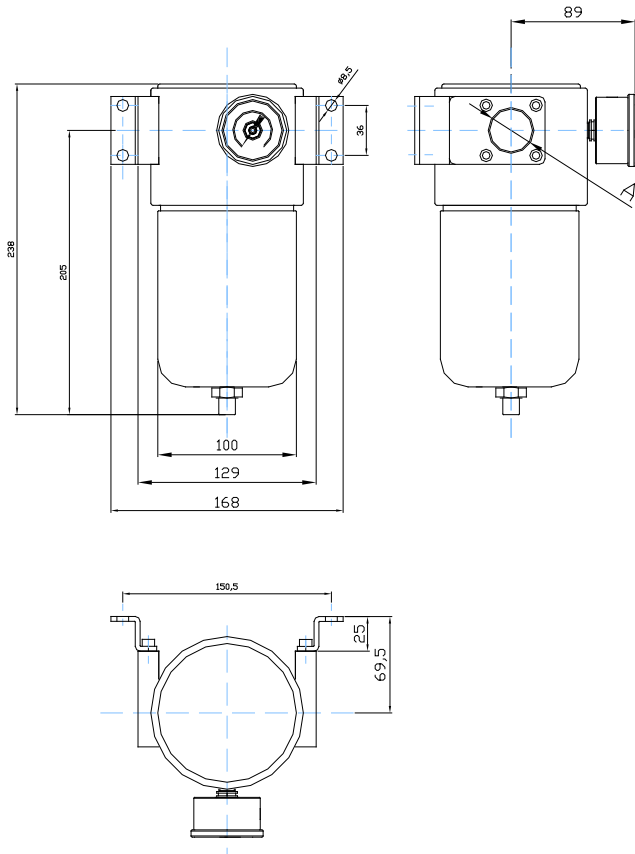
Scarico manuale



F12 A = 3/4"  
F16 A = 1"

### Automatic drain

Scarico automatico



**Note for automatic drain:**  
- max inlet pressure 16bar  
- not recommended for T<2°C

Nota per scarico automatico:  
- massima pressione di utilizzo 16bar  
- non raccomandato per T<2°C

## Accessories and repair kit

Accessori e ricambi




Maintenance kit / Kit manutenzione	Items K-F16-*-0-AL-**
Pressure gauge DN40mm, SS case, Bar+psi+kpa range / Manometro DN40mm, cassa inox, scala Bar+psi+kpa	0-2bar MBSNP4S2PN3S 0-4bar MBSNP4S2PN05 0-10bar MBSNP4S2PN07
Bracket / Staffa	SQ-FR16




\* Refers to filter element option: 1→5 micron 2→25 micron 3→40 micron 4→coalescing

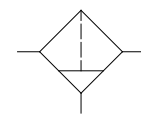
\*\* Refers to seals type: FK→FKM NB→NBR LT→EPDM FL→FVMQ HN→HNBR

## Copper free aluminum alloy 1 1/2"-2"NPT filter – F serie

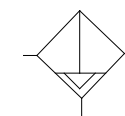
Filtro da 1 1/2"-2"NPT in lega di alluminio esente rame – serie F

- Suitable for automation equipment to onshore, offshore, pharmaceutical, medical and food applications
- Full material traceability
- High flow capacity
- ATEX 2014/34/UE  II 2G Ex h IIC T6/T5 Gb X  
II 2D Ex h IIIC T85°C/T100°C Db X
-  &  approved / IP66

- Adatto per automazione in applicazioni marine, petrolchimiche, farmaceutiche, medicali e alimentari
- Completa rintracciabilità dei materiali
- Elevate portate
- ATEX 2014/34/UE  II 2G Ex h IIC T6/T5 Gb X  
II 2D Ex h IIIC T85°C/T100°C Db X
- Approvato  ed  /IP66



Manual Drain



Automatic Drain

Media / Fluido	Compressed air, inert gases, sweet and sour gases
Port thread / Connessioni	1 1/2"-2" NPT
Gauge Connection Connessione manometro	1/4"NPT (1/8"NPT option)
Filtering element Elemento filtrante	coalescing or 5, 25, 40 micron in st. st. 316
Max inlet pressure / Pressione massima di ingresso	20 bar*
Drain valve/ Scarico condensa	Manual or automatic
Flow Rate (at 6 bar Inlet pressure, delta P=0.35bar)/ Portata	1 1/2" - 21000dm <sup>3</sup> /min Cv=34,5 2" - 29000dm <sup>3</sup> /min Cv=46,5
Working temperature / Temperatura di esercizio	-20°C up to 80°C (NBR); -25°C up to 90°C (FKM); -40°C up to 80°C (EPDM); -60° up tp 90°C (FVMQ)**

Air supply must be dry enough to avoid ice formation at temperatures below +2°C (+35°F).

\*NB: for auto drain: 16bar / for gas use: 15bar (in accordance with 2014/68/EU)

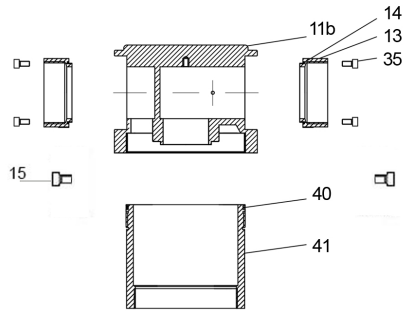
\*\*Special version in HNBR (WT -60°C + 90°C)

It provides excellent filtering for a wide range of applications. Rugged and corrosion-resistant – made of barstock aluminium alloy and AISI304/316 / Permette una filtrazione accurata per una vasta gamma di applicazioni. Robusto e resistente alla corrosione – Costruito in lega di alluminio tropicalizzata e AISI304/316

BUILDING MATERIALS	Materiali costruttivi
Body, bonnet, bowl in tropicalized aluminum	Corpo, coperchio, tazza in lega di alluminio tropicalizzata
Internals, bracket, lock and panel nuts, fixing screws in stainless steel	Particolari interni, staffa, dadi di bloccaggio a pannello, viti di fissaggio in acciaio inossidabile
Seals in elastomer	Tenute in elastomero
5, 25 & 40 micron filtering element in AISI316 stainless steel	Elemento filtrante da 5, 25 e 40 micron in acciaio inossidabile AISI316
Coalescing filtering element in bonded micro-fibre	Elemento filtrante a coalescenza in microfibra

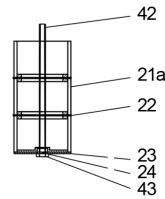
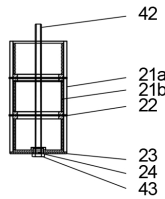
Product exploded view

Esploso del prodotto



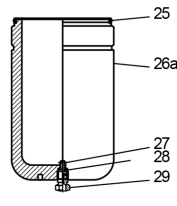
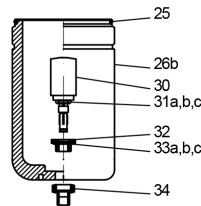
FILTER ELEMENT 5M

FILTER ELEMENT 25M



AUTOMATIC DRAIN

MANUAL DRAIN



Pos.	Q.ty	Description	Descrizione
11b	1	BODY	CORPO
13	2	CONNECTION	TERMINALI FILETTATI
14	2	CONNECTION O'RING	O'RING TERMINALI
15	2	BRACKET SCREW	STAFFA
20	1	FILTER ELEMENT SUPPORT	SUPPORTO ELE. FILTRANTE
21a	3	FILTER ELEMENT 5 MICRON	ELEMENTO FILTRANTE 5 MIC
21b	3	FILTER ELEMENT 25 MICRON	ELEMENTO FILTRANTE 25 MIC
22	1	FILTER ELEMENT RING	ANELLO ELEMENTO FILTRANTE
23	1	FILTER ELEMENT PLUG	BASE ELEMENTO FILTRANTE
24	1	NUT M6	DADO M6
25	1	O'RING BOWL	O'RING TAZZA
26a	1	MANUAL DRAIN BOWL	TAZZA SCARICO MANUALE
26b	1	AUTOMATIC DRAIN BOWL	TAZZA SCARICO AUTOMATICO
27	1	BENZIN	ANELLO BENZIN
28	1	O'RING DRAIN	O'RING DRAIN
29	1	MANUAL DRAIN	SCARICO MANUALE
30	1	AUTOMATIC DRAIN	SCARICO AUTOMATICO
31	1	O'RING AUTO DRAIN	O'RING SCARICO AUTO
32	1	AUTOMATIC DRAIN SEAT	SEDE SCARICO AUTOMATICO
33	1	O'RING AUTO DRAIN	O'RING SCARICO AUTO
34	1	AUTOMATIC DRAIN SEAT	SEDE SCARICO AUTOMATICO
35	8	SCREW M6X25 DIN 912 A2	VITI M6X25
40	1	O'RING	O'RING
41	1	BOWL ADAPTER	ADATTATORE
42	1	FILTER ELEMENT SCREW	VITE ELEMENTO FILTRANTE
43	1	M6 NUT	DADO M6

www.sitecna.eu

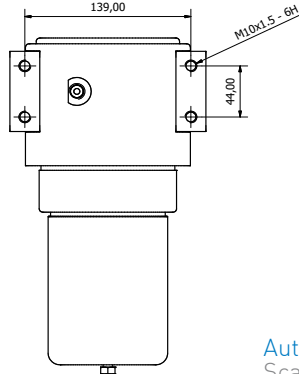
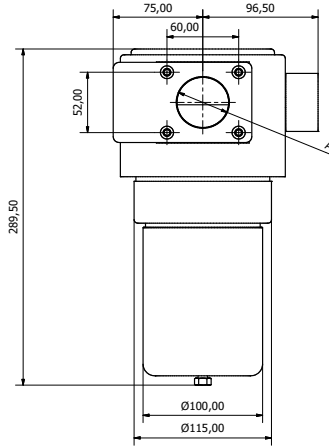
BT-F32AL/C23B

## Overall dimension

Dimensioni di ingombro

### Manual drain

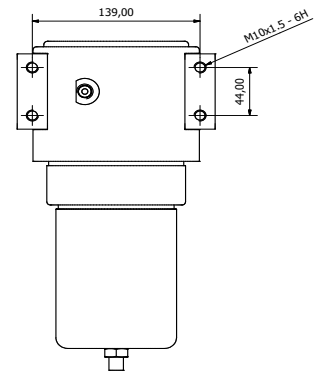
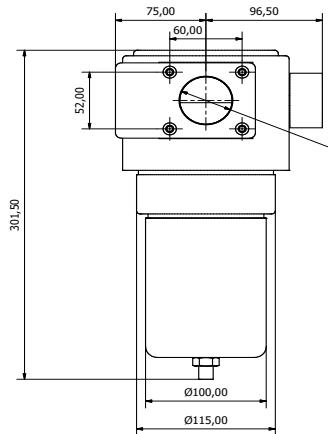
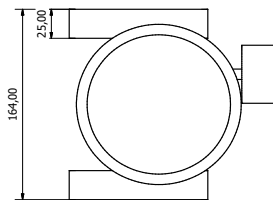
Scarico manuale



Automatic drain  
Scarico automatico

F24 A = 1 1/2"

F32 A = 2"

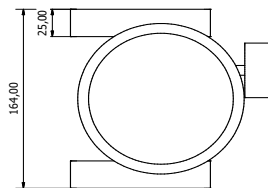


### Note for automatic drain:

- max inlet pressure 16bar
- not recommended for  $T < 2^{\circ}\text{C}$

Nota per scarico automatico:

- massima pressione di utilizzo 16bar
- non raccomandato per  $T < 2^{\circ}\text{C}$



## Accessories and repair kit

Accessori e ricambi

Maintenance kit / Kit manutenzione	Items K-F32-*_-0-AL-**
Pressure gauge DN40mm, SS case, Bar+psi+kpa range / Manometro DN40mm, cassa inox, scala Bar+psi+kpa	0-2bar MBSNP4S2PN3S 0-4bar MBSNP4S2PN05 0-10bar MBSNP4S2PN07

\* Refers to filter element option: 1→5 micron 2→25 micron 3→40 micron 4→ coalescing

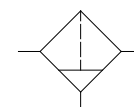
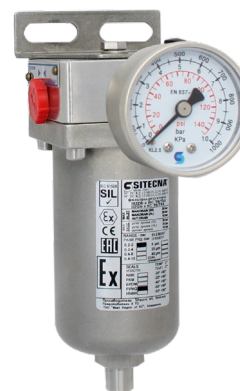
\*\* Refers to seals type: FK→FKM NB→NBR LT→EPDM FL→FVMQ HN→HNBR

### AISI316L 1/4"NPT filter – F serie

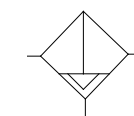
Filtro da 1/4"NPT in AISI316L – serie F

- Suitable to automation equipment, to onshore, offshore, pharmaceutical, medical and food applications
- Full material traceability
- High flow capacity
- ATEX 2014/34/UE II 2G Ex h IIC T6/T5 Gb X  
II 2D Ex h IIIC T85°C/T100°C Db X
- & approved /IP66

- Adatto per automazione in applicazioni marine, petrolchimiche, farmaceutiche, medicali e alimentari.
- Completa rintracciabilità dei materiali
- Elevate portate
- ATEX 2014/34/UE II 2G Ex h IIC T6/T5 Gb X  
II 2D Ex h IIIC T85°C/T100°C Db X
- Approvato ed / IP66



Manual Drain



Automatic Drain

<b>Media / Fluido</b>	<b>Compressed air, inert gases, sweet and sour gases</b>
<b>Port thread / Conessioni</b>	<b>1/4"</b>
<b>Gauge Connection</b> Connessione manometro	<b>1/8"NPT (1/4"NPT option)</b>
<b>Filtering element</b> Elemento filtrante	<b>Coalescing or 3, 5, 25, 40 micron in st. st. 316</b>
<b>Max inlet pressure</b> Pressione massima di ingresso	<b>30bar (16bar automatic drain version)</b>
<b>Drain valve / Scarico condensa</b>	<b>manual or automatic</b>
<b>Flow Rate (at 6 bar Inlet pressure, delta P=0.5bar) / Portata</b>	<b>1/4" - 1000dm<sup>3</sup>/min Cv=1,4 1/2" - 4815dm<sup>3</sup>/min Cv=6,6</b>
<b>Working Temperature</b> Temperatura di esercizio	<b>-20°C up to 80°C (NBR); -25°C up to 90°C (FKM); -40°C up to 80°C (EPDM); -60° up tp 90°C (FVMQ)*</b>

Air supply must be dry enough to avoid ice formation at temperatures below +2°C (+35°F).

**\*Special version in HNBR (WT -60°C + 90°C)**

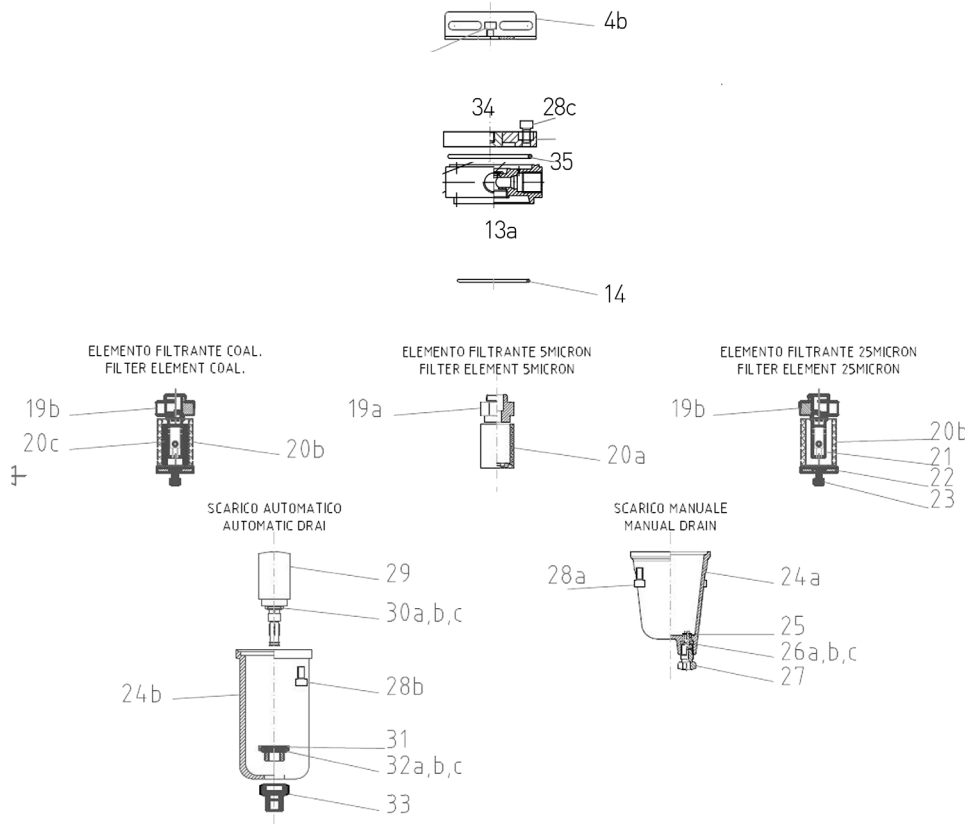
**It provides excellent filtration for a wide range of applications. Rugged and corrosion resistant - made of 316/316L stainless steel.**

Permette una filtrazione accurata per una vasta gamma di applicazioni. Robusto e resistente alla corrosione - costruito in AISI316/316L.

BUILDING MATERIALS	Materiali costruttivi
<b>Body, bonnet, bowl in Stainless steel AISI316/316L</b>	Corpo, coperchio, tazza in acciaio inossidabile AISI316/316L
<b>Inyternals, bracket, lock and panel nuts, fixing screws in stainless steel</b>	Parti interne, staffa, dadi di bloccaggio e pannello, viti di fissaggio in acciaio inossidabile
<b>Seals in elastomer</b>	Tenute in elastomero
<b>3, 5, 25, 40 micron filtering element in AISI316 stainless steel</b>	Elemento filtrante da 3, 5, 25 e 40 micron in acciaio inossidabile AISI316
<b>Coalescing filtering element in bonded micro-fibre</b>	Elemento filtrante a coalescenza in microfibra

## Product exploded view

Esploso del prodotto



Pos.	Q.ty	Description	Descrizione
3	1	BRACKET NUT	DADO STAFFA
4b	1	BRACKET	STAFFA
13b	1	BODY	CORPO
13b	1	COALESCING BODY	CORPO A COALESCIENZA
14	2	O-RING	O-RING
19a	1	FILTER ELEMENT SUPPORT 5mic	SUPPORTO ELE. FILTRANTE 5 MIC
19b	1	FILTER ELEMENT SUPPORT 25mic	SUPPORTO ELE. FILTRANTE 25 MIC
20a	1	FILTER ELEMENT 5 MICRON	ELEMENTO FILTRANTE 5 MIC
20b	1	FILTER ELEMENT 25 MICRON	ELEMENTO FILTRANTE 25 MIC
20c	1	FILTER ELEMENT COALESCING	ELEMENTO FILTRANTE COALESC.
21	1	FILTER ELEMENT SUPPORT	SUPPORTO ELE. FILTRANTE
22	1	FILTER ELEMENT CASEBACK	BASE ELEMENTO FILTRANTE
23	1	SCREW M4X6	VITI M4X6
24a	1	MANUAL DRAIN BOLW	TAZZA SCARICO MANUALE
24b	1	AUTOMATIC DRAIN BOLW	TAZZA SCARICO AUTOMATICO
25	1	BENZIN	ANELLO BENZIN
26	1	O-RING	O-RING
27	1	MANUAL DRAIN	SCARICO MANUALE
28a	4	SCREW MAN. DRAIN M5X10	VITI SCARICO MANUALE M5X10
28b	4	SCREW AUTO DRAIN M5X16	VITI SCARICO AUTO M5X16
29	1	AUTOMATIC DRAIN	SCARICO AUTOMATICO
30	1	O'RING AUTO DRAIN	O'RING SCARICO AUTO
31	1	AUTOMATIC DRAIN SEAT	SEDE SCARICO AUTOMATICO
32	1	O'RING AUTOM. DRAIN	O'RING SCARICO AUTO
33	1	AUTOMATIC DRAIN SEAT	SEDE SCARICO AUTOMATICO

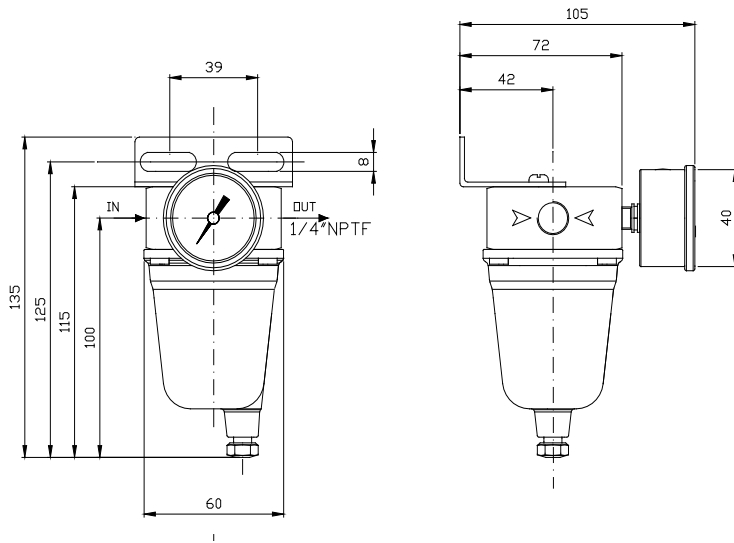
## Overall dimension

Dimensioni di ingombro

### Manual drain

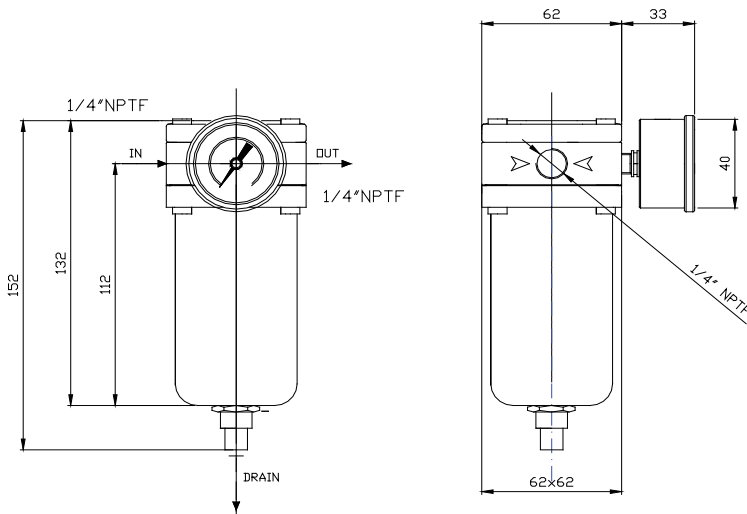
Scarico manuale

F04 A = 1/4"



### Automatic drain

Scarico automatico



**Note for automatic drain:**  
 - max inlet pressure 16bar  
 - not recommended for T<2°C

Nota per scarico automatico:  
 - massima pressione di utilizzo 16bar  
 - non raccomandato per T<2°C

## Accessories and repair kit

Accessori e ricambi




Maintenance kit / Kit manutenzione	Items K-F04-* -0-SS-**
Pressure gauge DN40mm, all SS Bar+psi+kpa range / Manometro DN40mm, tutto inox, scala Bar+psi+kpa	0-2,5 bar MBS6P4S2PN04 0-4bar MBS6P4S2PN05 0-10bar MBS6P4S2PN07
Bracket / Staffa	SQ-FR04/S




\* Refers to filter element option: 1→5 micron; 2→25 micron; 3→40 micron ; 4→coalescing; 5→3 micron

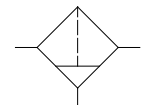
\*\* Refers to seals type: FK→FKM NB→NBR LT→EPDM FL→FVMQ HN→HNBR

## AISI316L 3/8" - 1/2" NPT filter – F serie

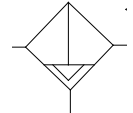
Filtro da 3/8" - 1/2" NPT in AISI316L – serie F

- Suitable to automation equipment, to onshore, offshore, pharmaceutical, medical and food applications
- Full material traceability
- High flow capacity
- ATEX 2014/34/UE  II 2G Ex h IIC T6/T5 Gb X  
II 2D Ex h IIIC T85°C/T100°C Db X
-  &  approved /IP66

- Adatto per automazione in applicazioni marine, petrolchimiche, farmaceutiche, medicali e alimentari.
- Completa rintracciabilità dei materiali
- Elevate portate
- ATEX 2014/34/UE  II 2G Ex h IIC T6/T5 Gb X  
II 2D Ex h IIIC T85°C/T100°C Db X
- Approvato  ed  / IP66



Manual Drain



Automatic Drain

Media / Fluido	Compressed air, inert gases, sweet and sour gases
Port thread / Connessioni	3/8" - 1/2" NPT
Gauge Connection Connessione manometro	1/8" NPT (1/4" NPT option)
Filtering element Elemento filtrante	Coalescing or 3, 5, 25, 40 micron in st. st. 316
Max inlet pressure Pressione massima di ingresso	30bar (16bar automatic drain version)
Drain valve / Scarico condensa	manual or automatic
Flow Rate ( $\bar{Q}$ 6 bar Inlet pressure, $\Delta P=0.5\text{bar}$ ) / Portata	1/2" - 4815 dm <sup>3</sup> /min Cv=6,6
Working Temperature Temperatura di esercizio	-20°C up to 80°C (NBR); -25°C up to 90°C (FKM); -40°C up to 80°C (EPDM); -60° up tp 90°C (FVMQ)*

Air supply must be dry enough to avoid ice formation at temperatures below +2°C (+35°F).

\*Special version in HNBR (WT -60°C + 90°C)

**It provides excellent filtration for a wide range of applications. Rugged and corrosion resistant - made of 316/316L stainless steel.**

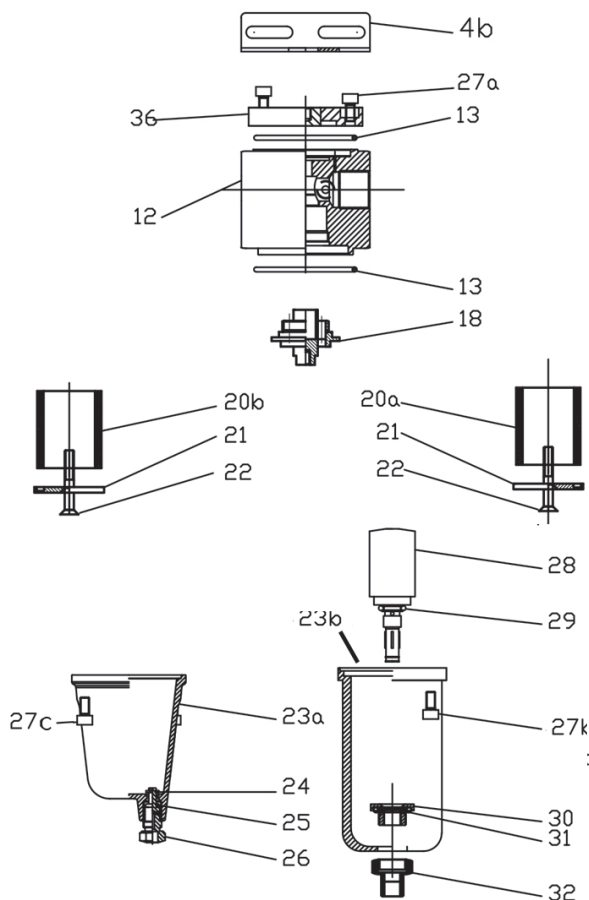
Permette una filtrazione accurata per una vasta gamma di applicazioni. Robusto e resistente alla corrosione - costruito in AISI316/316L.

BUILDING MATERIALS	Materiali costruttivi
Body, bonnet, bowl in Stainless steel AISI316/316L	Corpo, coperchio, tazza in acciaio inossidabile AISI316/316L
Inyternals, bracket, lock and panel nuts, fixing screws in stainless steel	Parti interne, staffa, dadi di bloccaggio e pannello, viti di fissaggio in acciaio inossidabile
Seals in elastomer	Tenute in elastomero
3, 5, 25, 40 micron filtering element in AISI316 stainless steel	Elemento filtrante da 3, 5, 25 e 40 micron in acciaio inossidabile AISI316
Coalescing filtering element in bonded micro-fibre	Elemento filtrante a coalescenza in microfibra



**Product exploded view**

Esploso del prodotto



Pos.	Q.ty	Description	Descrizione
4b	1	BRACKET F04	STAFFA
12	1	BODY	CORPO
13	2	O-RING	O-RING
18	1	FILTER ELEMENT SUPPORT	SUPPORTO ELE. FILTRANTE
20a	1	FILTER ELEMENT 5 MICRON	ELEMENTO FILTRANTE 5 MIC
20b	1	FILTER ELEMENT 25 MICRON	ELEMENTO FILTRANTE 25 MIC
21	1	FILTER ELEMENT PLUG	BASE ELEMENTO FILTRANTE
22	1	SCREW M5X30	VITE M5X30
23a	1	MANUAL DRAIN BOLW	TAZZA SCARICO MANUALE
23b	1	AUTOMATIC DRAIN BOLW	TAZZA SCARICO AUTOMATICO
24	1	BENZIN	ANELLO BENZIN
25	1	O-RING DRAIN	O-RING DRAIN
26	1	MANUAL DRAIN	SCARICO MANUALE
27a	4	SCREW M5X10	VITI PIATTELLO SPERIORE M5X10
27b	4	SCREW AUTO DRAIN M5X16	VITI SCARICO AUTO M5X16
27c	4	SCREW MAN DRAIN M5X10	VITI SCARICO MANUALE M5X10
28	1	AUTOMATIC DRAIN	SCARICO AUTOMATICO
29	1	O-RING AUTO DRAIN	O-RING SCARICO AUTO
30	1	AUTOMATIC DRAIN SEAT	SEDE SCARICO AUTOMATICO
31	1	O-RING AUTO DRAIN	O-RING SCARICO AUTO
32	1	AUTOMATIC DRAIN SEAT	SEDE SCARICO AUTOMATICO
36	1	FILTER TOP	PIATTELLO SUPERIORE

BT-F08SS/C23B

## Overall dimension

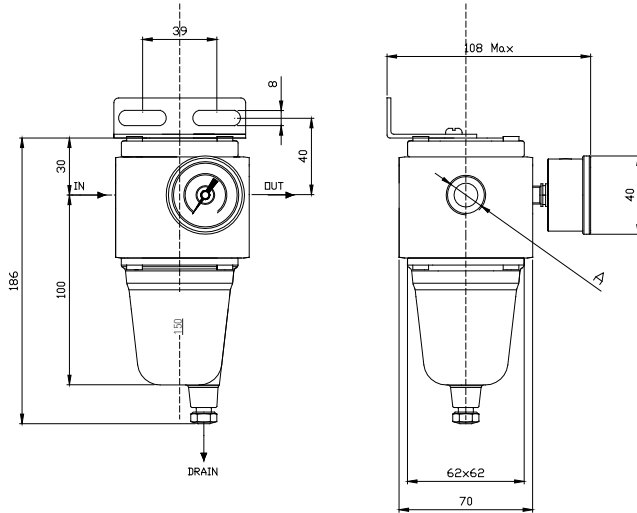
Dimensioni di ingombro

### Manual drain

Scarico manuale

F06 A = 3/8"

F08 A = 1/2"



### Automatic drain

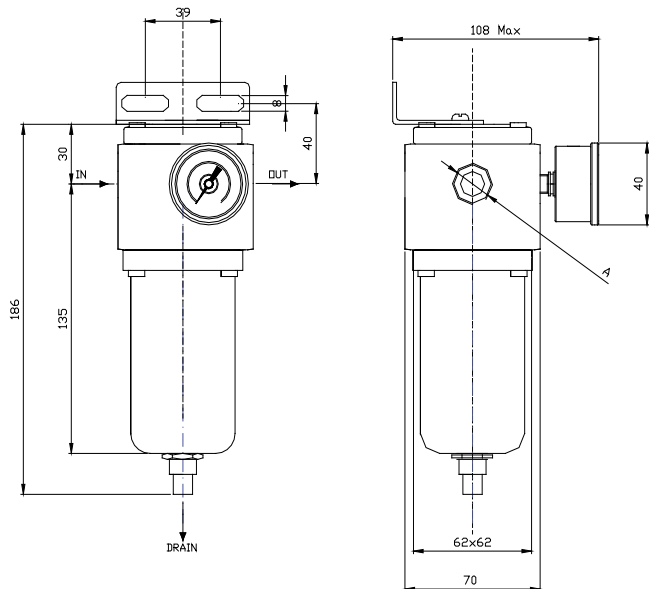
Scarico automatico

#### Note for automatic drain:

- max inlet pressure 16bar
- not recommended for  $T < 2^{\circ}\text{C}$

#### Nota per scarico automatico:

- massima pressione di utilizzo 16bar
- non raccomandato per  $T < 2^{\circ}\text{C}$



## Accessories and repair kit

Accessori e ricambi

Maintenance kit / Kit manutenzione	Items K-F08-*-0-SS-**
Pressure gauge DN40mm, all SS Bar+psi+kpa range / Manometro DN40mm, tutto inox, scala Bar+psi+kpa	0-2,5 bar MBS6P4S2PN04 0-4bar MBS6P4S2PN05 0-10bar MBS6P4S2PN07
Bracket / Staffa	SQ-FR04/S

\* Refers to filter element option: 1→5 micron; 2→25 micron; 3→40 micron ; 4→coalescing; 5→3 micron

\*\* Refers to seals type: FK→FKM NB→NBR LT→EPDM FL→FVMQ HN→HNBR

www.sitecna.eu

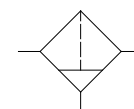
### AISI316L 3/4"-1"NPT filter – F serie

Filtro da 3/4" - 1"NPT in AISI316L – serie F

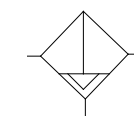
- Suitable to automation equipment, to onshore, offshore, pharmaceutical, medical and food applications
- Full material traceability
- High flow capacity
- ATEX 2014/34/UE II 2G Ex h IIC T6/T5 Gb X  
II 2D Ex h IIIC T85°C/T100°C Db X
- & approved /IP66

- Adatto per automazione in applicazioni marine, petrolchimiche, farmaceutiche, medicali e alimentari.
- Completa rintracciabilità dei materiali
- Elevate portate
- ATEX 2014/34/UE II 2G Ex h IIC T6/T5 Gb  
II 2D Ex h IIIC T85°C/T100°C Db X

- Approvato ed / IP66



Manual Drain



Automatic Drain

Media / Fluido	Compressed air, inert gases, sweet and sour gases
Port thread / Conessioni	3/4"-1" NPT
Gauge Connection Connessione manometro	1/4"NPT (1/8"NPT option)
Filtering element Elemento filtrante	coalescing or 5, 25, 40 micron in st. st. 316
Max inlet pressure / Pressione massima di ingresso	30bar (16bar automatic drain version)
Drain valve/ Scarico condensa	Manual or automatic
Flow Rate (at 6 bar Inlet pressure, delta P=0.35bar)/ Portata	3/4" - 7500dm <sup>3</sup> /min Cv=12,2 1" - 10000dm <sup>3</sup> /min Cv=16,3
Working temperature / Temperatura di esercizio	-20°C up to 80°C (NBR); -25°C up to 90°C (FKM); -40°C up to 80°C (EPDM); -60° up tp 90°C (FVMQ)*

Air supply must be dry enough to avoid ice formation at temperatures below +2°C (+35°F).

\*Special version in HNBR (WT -60°C + 89°C)

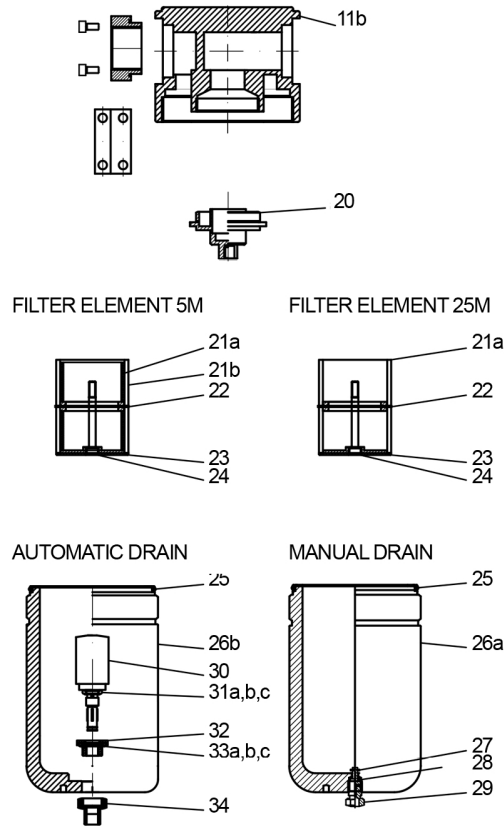
It provides excellent filtering for a wide range of applications. Rugged and corrosion-resistant – made of 316L stainless steel / Permette una filtrazione accurata per una vasta gamma di applicazioni. Robusto e resistente alla corrosione – Costruito in acciaio inossidabile 316L

BUILDING MATERIALS	Materiali costruttivi
Body, bonnet, bowl in Stainless steel AISI316/316L	Corpo, coperchio, tazza in acciaio inossidabile AISI316/316L
Inyternals, bracket, lock and panel nuts, fixing screws in stainless steel	Parti interne, staffa, dadi di bloccaggio e pannello, viti di fissaggio in acciaio inossidabile
Seals in elastomer	Tenute in elastomero
5, 25, 40 micron filtering element in AISI316 stainless steel	Elemento filtrante da 5, 25 e 40 micron in acciaio inossidabile AISI316
Coalescing filtering element in bonded micro-fibre	Elemento filtrante a coalescenza in microfibra

BT-F16SS/C23A

## Product exploded view

Esploso del prodotto



Pos.	Q.ty	Description	Descrizione
11b	1	BODY	CORPO
13	2	CONNECTION	FLANGE
14	2	O'RING	O'RING
15	2	BRACKET	STAFFA
20	1	FILTER ELEMENT SUPPORT	SUPPORTO ELE. FILTRANTE
21a	2	FILTER ELEMENT 5 MICRON	ELEMENTO FILTRANTE 5 MIC
21b	2	FILTER ELEMENT 25 MICRON	ELEMENTO FILTRANTE 25 MIC
22	1	FILTER ELEMENT RING	ANELLO ELEMENTO FILTRANTE
23	1	FILTER ELEMENT PLUG	BASE ELEMENTO FILTRANTE
24	1	FILTER ELEMENT SCREW	VITE ELEMENTO FILTRANTE
25	1	O'RING BOWL	O'RING TAZZA
26a	1	MANUAL DRAIN BOWL	TAZZA SCARICO MANUALE
26b	1	AUTOMATIC DRAIN BOWL	TAZZA SCARICO AUTOMATICO
27	1	BENZIN	ANELLO BENZIN
28	1	O'RING DRAIN	O'RING DRAIN
29	1	MANUAL DRAIN	SCARICO MANUALE
30	1	AUTOMATIC DRAIN	SCARICO AUTOMATICO
31	1	O'RING AUTO DRAIN	O'RING SCARICO AUTO
32	1	AUTOMATIC DRAIN SEAT	SEDE SCARICO AUTOMATICO
33	1	O'RING AUTO DRAIN	O'RING SCARICO AUTO
34	1	AUTOMATIC DRAIN SEAT	SEDE SCARICO AUTOMATICO

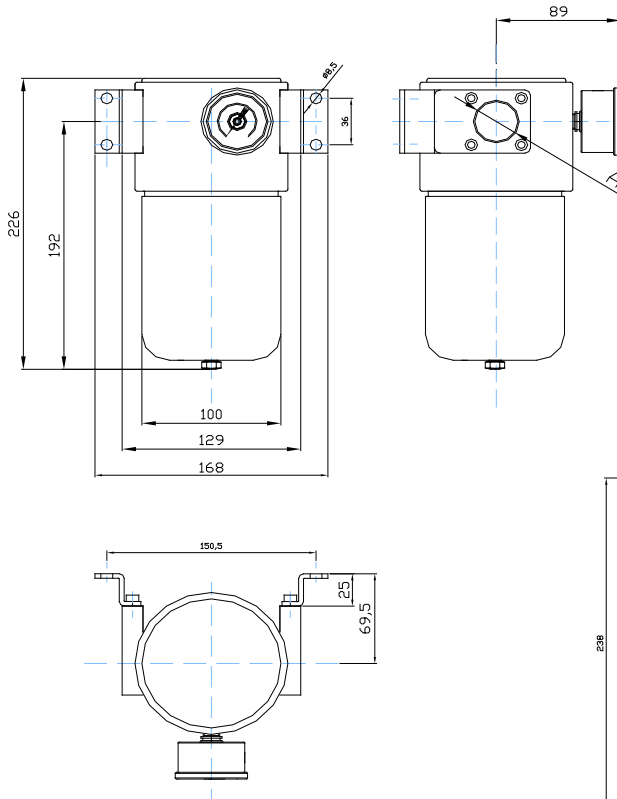
www.sitecna.eu

## Overall dimension

Dimensioni di ingombro

### Manual drain

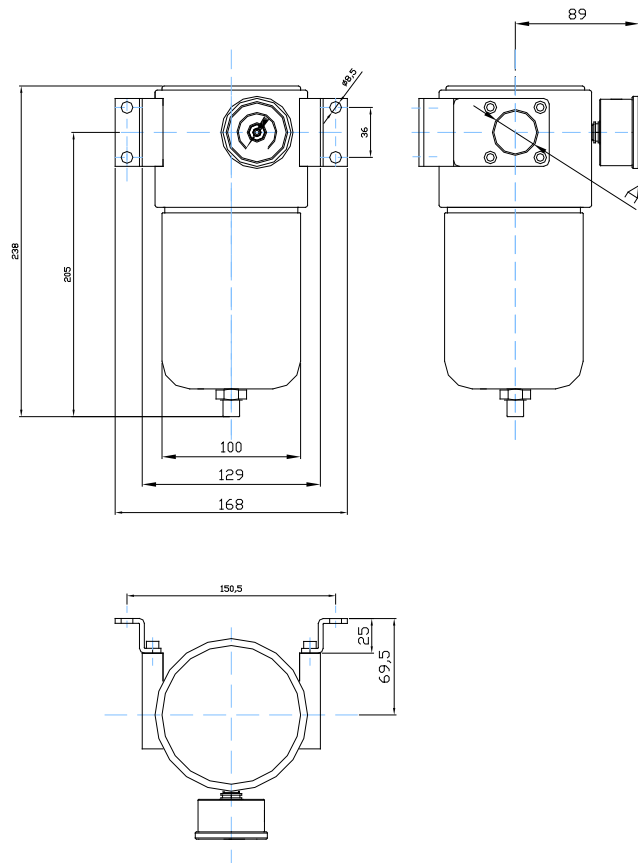
Scarico manuale



F12 A = 3/4"  
F16 A = 1"

### Automatic drain

Scarico automatico



#### Note for automatic drain:

- max inlet pressure 16bar
- not recommended for T < 2°C

#### Nota per scarico automatico:

- massima pressione di utilizzo 16bar
- non raccomandato per T < 2°C

## Accessories and repair kit

Accessori e ricambi

Maintenance kit / Kit manutenzione	Items K-F16-*-0-SS-**
Pressure gauge DN40mm, SS case, Bar+psi+kpa range / Manometro DN40mm, tutto inox, scala Bar+psi+kpa	0-2,5 bar MBS6P4S2PN04 0-4bar MBS6P4S2PN05 0-10bar MBS6P4S2PN07
Bracket / Staffa	R-16-STSS




\* Refers to filter element option: 1→5 micron; 2→25 micron ; 3→40 micron ; 4→coalescing

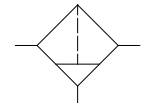
\*\* Refers to seals type: FK→FKM NB→NBR LT→EPDM FL→FVMQ HN→HNBR

BT-F16SS/C23C

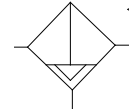
## AISI316L 1 1/2"-2"NPT filter – F serie

Filtro da 1 1/2"- 2"NPT in AISI316L – serie F

- Suitable to automation equipment, to onshore, offshore, pharmaceutical, medical and food applications
- Full material traceability
- High flow capacity
- ATEX 2014/34/UE  II 2G Ex h IIC T6/T5 Gb X  
II 2D Ex h IIIC T85°C/T100°C Db X
-  &  approved /IP66
- Adatto per automazione in applicazioni marine, petrolchimiche, farmaceutiche, medicali e alimentari.
- Completa rintracciabilità dei materiali
- Elevate portate
- ATEX 2014/34/UE  II 2G Ex h IIC T6/T5 Gb X  
II 2D Ex h IIIC T85°C/T100°C Db X
- Approvato  ed  / IP66



Manual Drain



Automatic Drain

Media / Fluido	Compressed air, inert gases, sweet and sour gases
Port thread / Connessioni	1 1/2"-2" NPT
Gauge Connection Connessione manometro	1/4"NPT (1/8"NPT option)
Filtering element Elemento filtrante	coalescing or 5, 25, 40 micron in st. st. 316
Max inlet pressure / Pressione massima di ingresso	20bar*
Drain valve/ Scarico condensa	Manual or automatic
Flow Rate (@6 bar Inlet pressure, delta P=0.35bar)/ Portata	1 1/2" - 21000dm <sup>3</sup> /min Cv=34,5 2" - 29000dm <sup>3</sup> /min Cv=46,5
Working temperature / Temperatura di esercizio	-20°C up to 80°C (NBR); -25°C up to 90°C (FKM); -40°C up to 80°C (EPDM); -60° up tp 90°C (FVMQ)**

Air supply must be dry enough to avoid ice formation at temperatures below +2°C (+35°F).

\*NB: for auto drain: 16bar / for gas usage: 15bar (in accordance with 2014/68/EU)

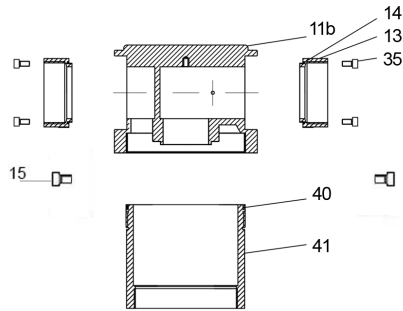
\*\*Special version in HNBR (WT -60°C + 90°C)

**It provides excellent filtering for a wide range of applications. Rugged and corrosion-resistant – made of 316L stainless steel / Permette una filtrazione accurata per una vasta gamma di applicazioni. Robusto e resistente alla corrosione – Costruito in acciaio inossidabile 316L**

BUILDING MATERIALS	Materiali costruttivi
Body, bonnet, bowl in Stainless steel AISI316/316L	Corpo, coperchio, tazza in acciaio inossidabile AISI316/316L
Internals, bracket, lock and panel nuts, fixing screws in stainless steel	Parti interne, staffa, dadi di bloccaggio e pannello, viti di fissaggio in acciaio inossidabile
Seals in elastomer	Tenute in elastomero
5, 25, 40 micron filtering element in AISI316 stainless steel	Elemento filtrante da 5, 25 e 40 micron in acciaio inossidabile AISI316
Coalescing filtering element in bonded micro-fibre	Elemento filtrante a coalescenza in microfibra

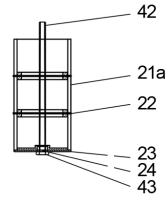
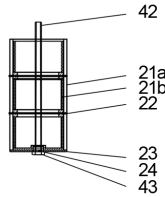
Product exploded view

Esploso del prodotto



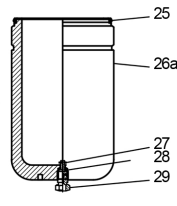
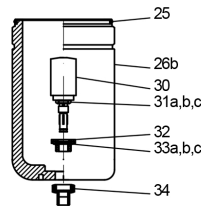
FILTER ELEMENT 5M

FILTER ELEMENT 25M



AUTOMATIC DRAIN

MANUAL DRAIN



Pos.	Q.ty	Description	Descrizione
11b	1	BODY	CORPO
13	2	CONNECTION	TERMINALI FILETTATI
14	2	CONNECTION O'RING	O'RING TERMINALI
15	2	BRACKET SCREW	STAFFA
20	1	FILTER ELEMENT SUPPORT	SUPPORTO ELE. FILTRANTE
21a	3	FILTER ELEMENT 5 MICRON	ELEMENTO FILTRANTE 5 MIC
21b	3	FILTER ELEMENT 25 MICRON	ELEMENTO FILTRANTE 25 MIC
22	1	FILTER ELEMENT RING	ANELLO ELEMENTO FILTRANTE
23	1	FILTER ELEMENT PLUG	BASE ELEMENTO FILTRANTE
24	1	NUT M6	DADO M6
25	1	O'RING BOWL	O'RING TAZZA
26a	1	MANUAL DRAIN BOWL	TAZZA SCARICO MANUALE
26b	1	AUTOMATIC DRAIN BOWL	TAZZA SCARICO AUTOMATICO
27	1	BENZIN	ANELLO BENZIN
28	1	O'RING DRAIN	O'RING DRAIN
29	1	MANUAL DRAIN	SCARICO MANUALE
30	1	AUTOMATIC DRAIN	SCARICO AUTOMATICO
31	1	O'RING AUTO DRAIN	O'RING SCARICO AUTO
32	1	AUTOMATIC DRAIN SEAT	SEDE SCARICO AUTOMATICO
33	1	O'RING AUTO DRAIN	O'RING SCARICO AUTO
34	1	AUTOMATIC DRAIN SEAT	SEDE SCARICO AUTOMATICO
35	8	SCREW M6X25 DIN 912 A2	VITI M6X25
40	1	O'RING	O'RING
41	1	BOWL ADAPTER	ADATTATORE
42	1	FILTER ELEMENT SCREW	VITE ELEMENTO FILTRANTE
43	1	M6 NUT	DADO M6

www.sitecna.eu

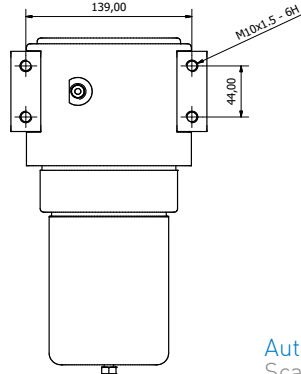
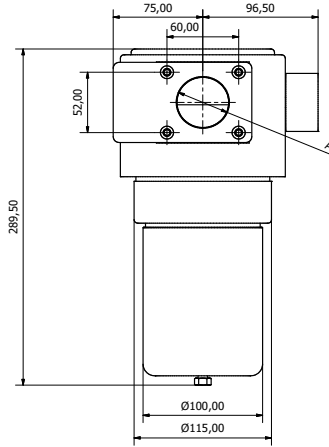
BT-F32SS/C23B

## Overall dimension

Dimensioni di ingombro

### Manual drain

Scarico manuale

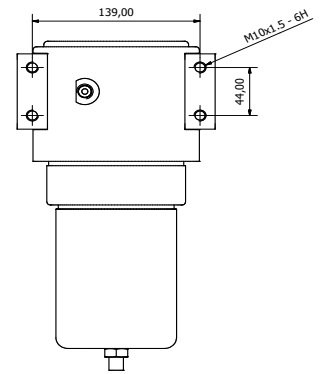
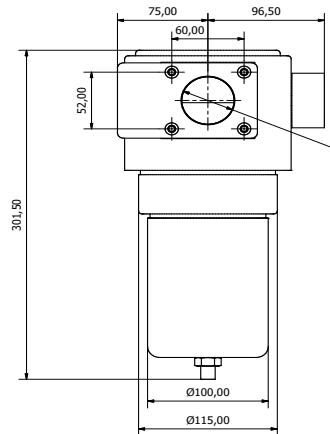
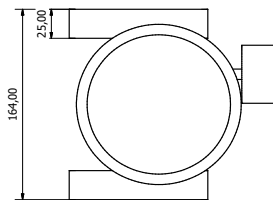


F24 A = 1 1/2"

F32 A = 2"

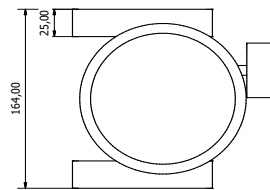
### Automatic drain

Scarico automatico



**Note for automatic drain:**  
 - max inlet pressure 16bar  
 - not recommended for T < 2°C

Nota per scarico automatico:  
 - massima pressione di utilizzo 16bar  
 - non raccomandato per T < 2°C



## Accessories and repair kit

Accessori e ricambi

Maintenance kit / Kit manutenzione	Items K-F32- *-0-SS- **
Pressure gauge DN40mm, SS case, Bar+psi+kpa range / Manometro DN40mm, tutto inox, scala Bar+psi+kpa	0-2,5 bar MBS6P4S2PN04 0-4bar MBS6P4S2PN05 0-10bar MBS6P4S2PN07

\* Refers to filter element option: 1→5 micron 2→25 micron 3→40 micron 4→coalescing

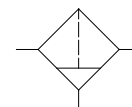
\*\* Refers to seals type: FK→FKM NB→NBR LT→EPDM FL→FVMQ HN→HNBR



## AISI316L 1/4" - 1/2" NPT high pressure filter – F serie 60B

Filtro per alte pressioni da 1/4" - 1/2"NPT in AISI316L – serie F 60B

- Suitable to automation equipment, to onshore, offshore, pharmaceutical, medical and food applications
- Full material traceability
- High flow capacity
- Adatto per automazione in applicazioni marine, petrol-chimiche, farmaceutiche, medicali e alimentari.
- Completa rintracciabilità dei materiali
- Elevate portate



Manual Drain

Media / Fluido	Compressed air, inert gases, sweet and sour gases
Port thread / Conessioni	1/4" - 1/2" NPT
Filtering element Elemento filtrante	Coalescing, 40 micron (other on demand)
Max inlet pressure Pressione massima di ingresso	60bar* (SEP applications)
Drain valve / Scarico condensa	manual
Working Temperature Temperatura di esercizio	-20°C up to 80°C (NBR); -25°C up to 90°C (FKM); -40°C up to 80°C (EPDM); -60° up tp 90°C (HNBR)

\*80bar - not PED applications

**It provides excellent filtration for a wide range of applications. Rugged and corrosion resistant - made of 316/316L stainless steel.**

Permette una filtrazione accurata per una vasta gamma di applicazioni. Robusto e resistente alla corrosione - costruito in AISI316/316L.

BUILDING MATERIALS	Materiali costruttivi
Body, bonnet, bowl in Stainless steel AISI316/316L	Corpo, coperchio, tazza in acciaio inossidabile AISI316/316L
Inyternals, bracket, lock and panel nuts, fixing screws in stainless steel	Parti interne, staffa, dadi di bloccaggio e pannello, viti di fissaggio in acciaio inossidabile
Seals in elastomer	Tenute in elastomero
40 micron filtering element in AISI316 stainless steel	Elemento filtrante 40 micron in acciaio inossidabile AISI316
Coalescing filtering element in bonded micro-fibre	Elemento filtrante a coalescenza in microfibra

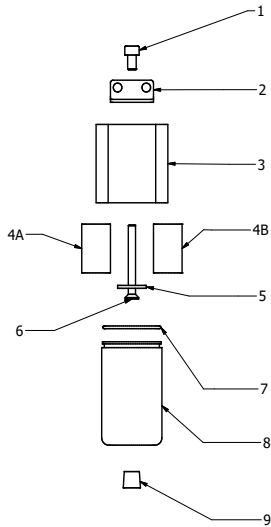
### Accessories

Accessori

Bracket / Staffa	SQ-F60B
------------------	---------

## Product exploded view

Esploso del prodotto



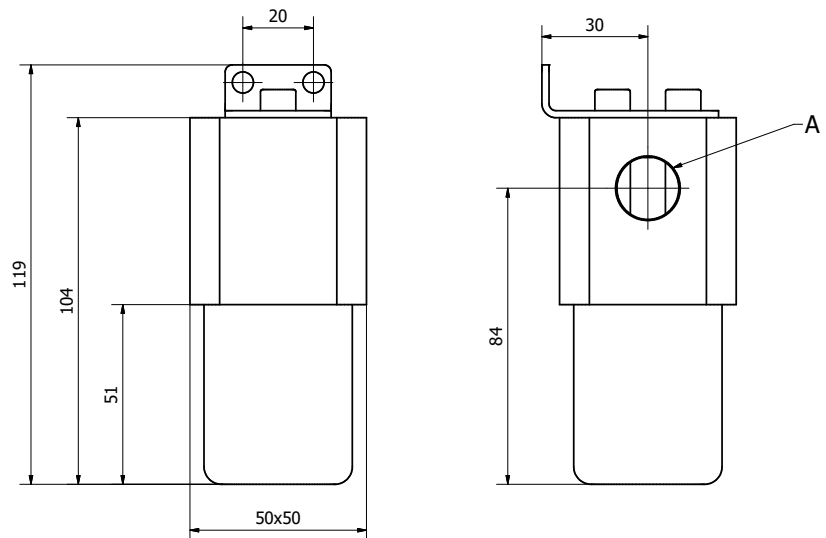
Pos.	Q.ty	Description	Descrizione
1	2	BRACKET SCREWS	VITI STAFFA
2	1	BRACKET	STAFFA
3	1	BODY	CORPO
4a	1	40 MICRON FILTER ELEMENT	ELEMENTO FILTRANTE 40 MIC
4b	1	COALESCING FILTER ELEMENT	ELEM. FILTRANTE COALESCENZA
5	1	FILTER ELEMENT SUPPORT	SUPPORTO ELE. FILTRANTE
6	1	SCREW	VITE
7	1	O'RING	O'RING
8	1	MANUAL DRAIN BOLW	TAZZA SCARICO MANUALE
9	1	MANUAL DRAIN	SCARICO MANUALE

## Overall dimension

Dimensioni di ingombro

F04 A = 1/4"

F08 A = 1/2"



## Ordering informations

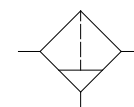
Come ordinare

<p><b>TYPE</b> F= Filter</p>	<p><b>SIZE</b> 04= 1/4" NPT 08= 1/2" NPT</p>	<p><b>MATERIAL</b> SS= 316-316L Stainless steel</p>	<p><b>Specials</b> 60B= high pressure version</p>
<p><b>F</b> <b>08</b> <b>0</b> <b>1</b></p>	<p><b>00</b> <b>0</b> <b>0</b> <b>SS</b> <b>FK</b></p>	<p><b>2</b> <b>-</b> <b>6</b> <b>0</b> <b>B</b></p>	
<p><b>FILTER ELEMENT</b> 3= 40 micron 4= coalescing</p>	<p><b>DIAPHRAGM &amp; SEALS MATERIAL</b> FK= FKM ( WT-25° +90°C ) NB= NBR ( WT-20° +80°C ) LT= EPDM ( WT-40° +80°C ) HN= LT HNBR (WT -60°+90°C)</p>	<p><b>ACCESSORIES</b> 0= None 2= SS bracket kit 4= Customised Tag 6= SS bracket kit +customised Tag</p>	

## AISI316L 1/4"NPT filter with borosilicate glass bowl – FP serie

Filtro da 1/4"NPT in AISI316L con tazza in borosilicato – serie FP

- Suitable to process analysis application
  - Full material traceability
  - Borosilicate bowl for easy checking
- 
- Adatto per applicazioni di analisi di processo
  - Completa rintracciabilità dei materiali
  - La tazza in borosilicato consente un facile controllo



Manual Drain

<b>Media / Fluido</b>	<b>Compressed air, inert gases, sweet and sour gases</b>
<b>Port thread / Conessioni</b>	<b>1/4"</b>
<b>Filtering element</b> Elemento filtrante	<b>Coalescing or 3, 5, 40 micron in AISI316</b>
<b>Max inlet pressure</b> Pressione massima di ingresso	<b>10bar</b>
<b>Drain connection</b> Connessione scarico	<b>1/8"NPT</b>
<b>Working Temperature</b> Temperatura di esercizio	<b>-30°C up to 180°C (FKM)*</b>

Air supply must be dry enough to avoid ice formation at temperatures below +2°C (+35°F).

**\*Special version with different gasket materials**

**It provides excellent filtration for a wide range of applications. Rugged and corrosion resistant - made of 316/316L stainless steel & borosilicate glass.**

Permette una filtrazione accurata per una vasta gamma di applicazioni. Robusto e resistente alla corrosione - costruito in AISI316/316L e vetro borosilicato.

BUILDING MATERIALS	Materiali costruttivi
<b>Body &amp; plate in Stainless steel AISI316/316L</b>	Corpo e ghiera in acciaio inossidabile AISI316/316L
<b>Bowl in borosilicate</b>	Tazza inferiore in vetro borosilicato
<b>Internals, bracket, fixing screws in stainless steel AISI316</b>	Parti interne, staffa, viti di fissaggio in acciaio inossidabile AISI316
<b>Seals in elastomer</b>	Tenute in elastomero
<b>3, 5, 40 micron filtering element in AISI316 stainless steel</b>	Elemento filtrante da 3, 5 e 40 micron in acciaio inossidabile AISI316
<b>Coalescing filtering element in bonded micro-fibre</b>	Elemento filtrante a coalescenza in microfibra

www.sitecna.eu

## Drain options

Opzioni di scarico

Standard drain = 1/8" NPT F  
Scarico standard = 1/8" NPT F

Option 1 = 1/8" NPT F plugged  
Opzione 1 = 1/8" NPT tappato

Option 2 = complete with SS316 1/4" NPT manual valve  
VP041K0000SSFK0  
Opzione 2 = completo di valvola manuale in AISI316 da 1/4" NPT  
VP041K0000SSFK0

Option 3 = complete with SS316 2ways solenoid valve 24V CC  
Opzione 3 = completo di valvola a solenoide in AISI316 24V CC

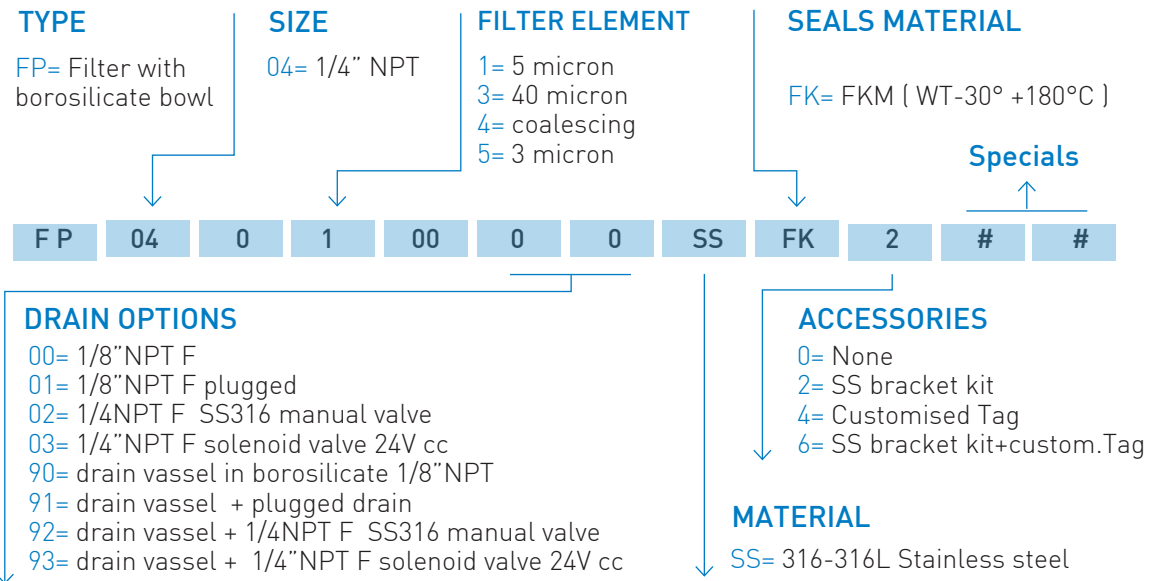
DRAIN VASSEL: all version are combinable with a drain vassel  
(see 'how to order' section) in borosilicate 1/8" NPT F  
SERBATOIO DI ACCUMOLO CONDENSA: tutte le versioni sono  
abbinabili ad un serbatoio di accumulo condensa  
(vedere 'come ordinare')



Drain Vassel

## Ordering information

Come ordinare



## Accessories and repair kit

Accessori e ricambi

kit Filtering elements / Elementi filtranti	Items K-FP04-*-SS-FK
Bracket / Staffa	SQ-FR04/S

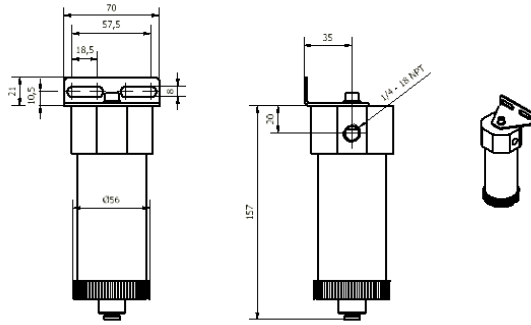
\* Refers to filter element option: 1→5 micron; 3→40 micron ; 4→coalescing; 5→3 micron

BT-FP04SS/C24B

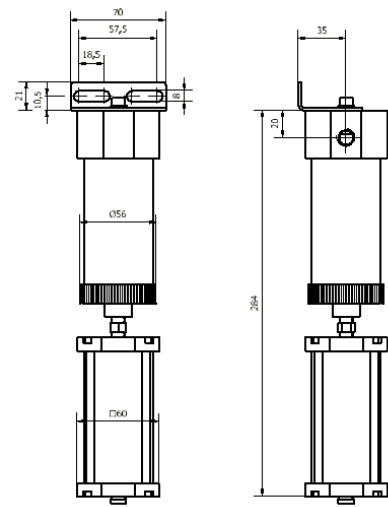
## Overall dimension

Dimensioni di ingombro

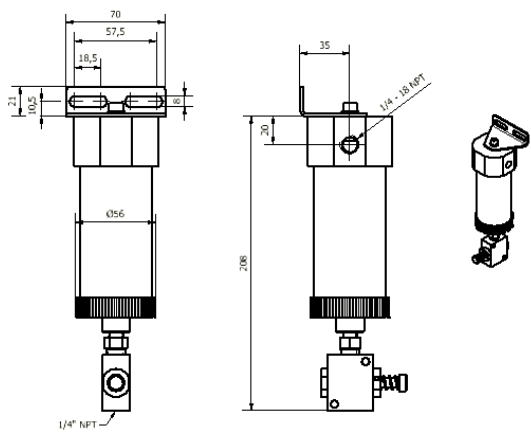
1/8" NPT F drain (plugged)  
scarico 1/8" NPT F (tappato)



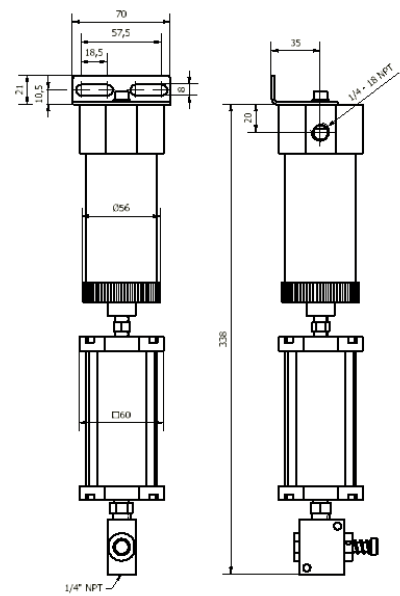
+ drain vessel 1/8" NPT F drain (plugged)  
+ serbatoio e scarico 1/8" NPT F (tappato)



+ manual valve  
+ valvola manuale



+ drain vessel & manual valve  
+ serbatoio & valvola manuale

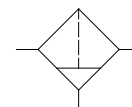


www.sitecna.eu

### Borosilicate glass drain vassel - serie

Serbatoio di accumulo consensa in borosilicato – serie

abbinabile a tutti F FR per molte applicazione



Manual Drain

### Drain options

Opzioni di scarico

Standard drain = 1/8" NPT F  
Scarico standard = 1/8" NPT F

Option 1 = 1/8" NPT F plugged  
Opzione 1 = 1/8" NPT tappato

Option 2 = complete with SS316 1/4" NPT ball valve  
VS041K0000SSPT0  
Opzione 2 = completo di valvola a sfera in AISI316 da 1/4" NPT  
VS041K0000SSPT0

Option 3 = complete with SS316 2ways solenoid valve 24V CC  
Opzione 3 = completo di valvola a solenoide in AISI316 24V CC

### Overall dimension

Dimensioni di ingombro

1/8" NPT F drain (plugged)  
scarico 1/8" NPT F (tappato)

+ ball valve  
+ valvola a sfera

+ solenoid valve  
+ valvola a solenoide

BUILDING MATERIALS	Materiali costruttivi
Body & plate in Stainless steel AISI316/316L	Corpo e pannello in acciaio inossidabile AISI316/316L
Bowl in borosilicate	Tazza inferiore in vetro borosilicato

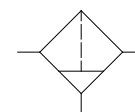
www.sitecna.eu

### AISI316L 1/4" NPT miniaturized filter – FM serie

Mini-filtro da 1/4"NPT in AISI316L – serie FM

- Suitable to automation equipment, to onshore, offshore, analysis, pharmaceutical, medical and food applications
- Full material traceability
- Compact sizes
- 5 micron, 25micron or coalescing element available

- Adatto per automazione in applicazioni marine, petrolchimiche, di analisi, farmaceutiche, medicali e alimentari.
- Completa rintracciabilità dei materiali
- Dimensioni contenute
- Disponibile con elemento filtrante da 5 micron, 25 micron o a coalescenza



Manual Drain

Media / Fluido	Compressed air, inert gases, sweet and sour gases
Port thread / Conessioni	1/4"NPT
Gauge Connection Conessione manometro	1/8"NPT
Filtering element Elemento filtrante	Coalescing or SS316 5, 25 micron
Max inlet pressure Pressione massima di ingresso	12bar
Drain valve / Scarico condensa	manual or plugged
Flow Rate (@6 bar Inlet pressure, delta P=0.5bar)/ Portata	400dm3/min
Working Temperature Temperatura di esercizio	0°C up to 50°C (-10° with dry air)

Air supply must be dry enough to avoid ice formation at temperatures below +2°C (+35°F).

**It provides excellent filtration for a wide range of applications. Rugged and corrosion resistant - made of 316/316L stainless steel & polycarbonate.**

Permette una filtrazione accurata per una vasta gamma di applicazioni. Robusto e resistente alla corrosione - costruito in AISI316/316L e polycarbonato.

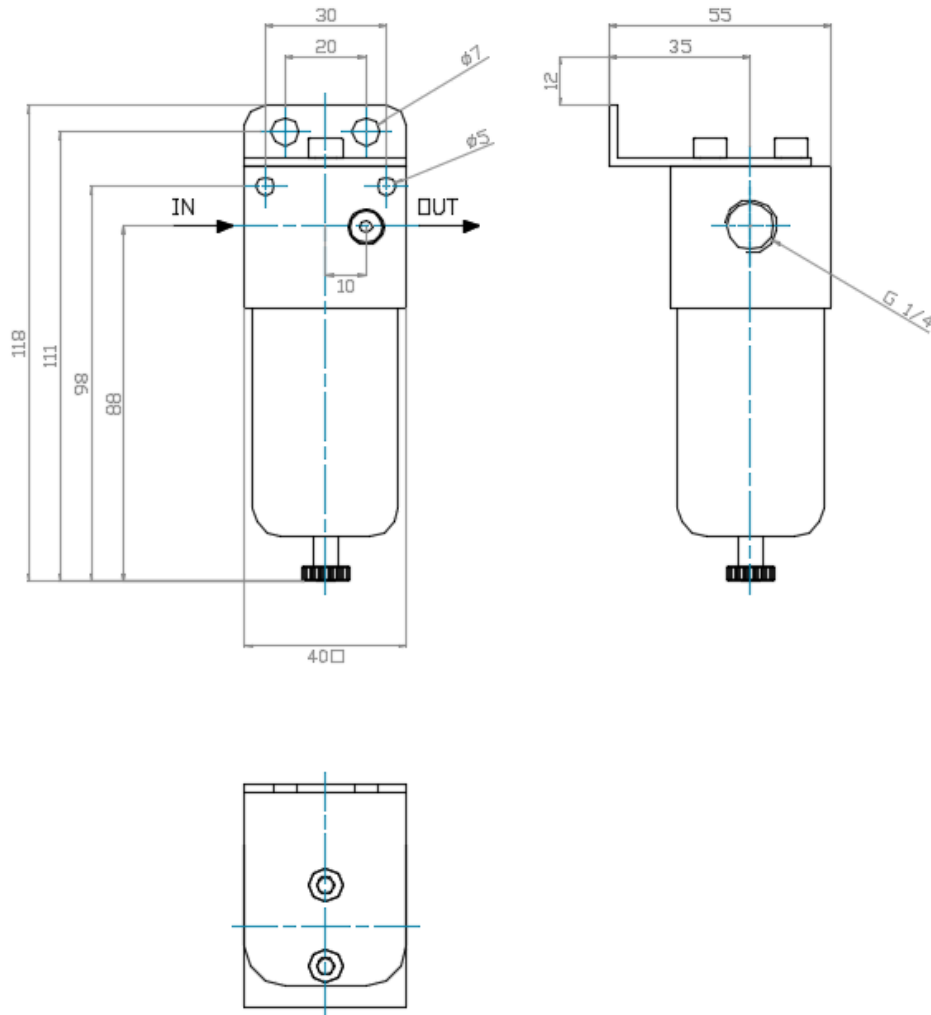
BUILDING MATERIALS	Materiali costruttivi
Body in Stainless steel AISI316L to NACE MR0175	Corpo in acciaio inossidabile AISI316L secondo NACE MR0175
Bowl in transparent techno-polymer	Tazza in tecno-polimero trasparente
Bracket, lock and panel nuts, fixing screws in 316 stainless steel	Staffa, dadi di bloccaggio e pannello, viti di fissaggio in acciaio inossidabile AISI316
Seals & gaskets in elastomer	Tenute e guarnizioni in elastomero
5 & 25 micron filtering element in AISI316 stainless steel	Elemento filtrante da 5 e 25 micron in acciaio inossidabile AISI316
Coalescing filtering element in bonded micro-fibre	Elemento filtrante a coalescenza in microfibra

BT-FMSS/C24A

## Overall dimension

Dimensioni di ingombro

### FM04 serie



## Ordering information

Come ordinare

<b>TYPE</b> FM= Filter	<b>SIZE</b> 04= 1/4" NPT	<b>DIAPHRAGM &amp; SEALS MATERIAL</b> FK= FKM ( WT-25° +90°C ) NB= NBR ( WT-20° +80°C ) LT= EPDM ( WT-40° +80°C )								<b>Specials</b>	
F M	04	0	1	00	0	0	SS	NB	2	#	#
<b>FILTER ELEMENT</b> 1= 5 micron 4= coalescing				<b>MATERIAL</b> SS= 316-316L Stainless steel			<b>ACCESSORIES</b> 0= None 2= SS bracket kit 4= Customised Tag 6= SS bracket kit+custom.Tag				

BT-FMSS/C24B

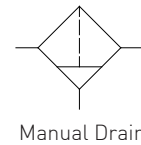
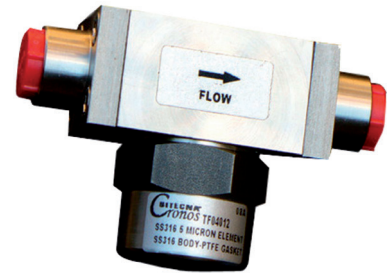


www.sitecna.eu

### AISI316L 1/4" NPT tee filter – TF serie

Filtro a T da 1/4"NPT in AISI316L – serie TF

- Suitable for automation equipment to onshore, offshore, pharmaceutical, medical and food applications
- Full material traceability
- High flow capacity
- High pressure design to 70bar
- ATEX 2014/34/UE II 2G Exh IIC T6/T5 Gb X  
II 2D Exh IIIC T85°C/T100°C Db X
- & approved



- Adatto per automazione in applicazioni marine, petrolchimiche, farmaceutiche, medicali e alimentari
- Completa rintracciabilità dei materiali
- Elevate portate
- Progettazione per alta pressione 70bar
- ATEX 2014/34/UE II 2G Ex h IIC T6/T5 Gb X  
II 2D Ex h IIIC T85°C/T100°C Db X
- Approvato ed

<b>Media / Fluido</b>	<b>Compressed air, inert gases, sweet and sour gases</b>
<b>Port thread / Connessioni</b>	<b>1/4" NPT</b>
<b>Filtering element</b> Elemento filtrante	<b>5micron in SS316</b>
<b>Max inlet pressure</b> Pressione massima di ingresso	<b>70bar</b>
<b>Orefice / Orifizio</b>	<b>DN6.5mm</b>
<b>Working Temperature</b> Temperatura di esercizio	<b>-20°C up to 80°C (NBR); -25°C up to 90°C (FKM); -40°C up to 80°C (EPDM) *</b>

Air supply must be dry enough to avoid ice formation at temperatures below +2°C (+35°F).  
\*Special version in HNBR (WT -55°C + 90°C)

**It provides excellent filtration for a wide range of applications. Rugged and corrosion-resistant – made of barstock AISI316L Compact small package size – light weight Panel mounting with stainless steel bracket.**

Permette una filtrazione accurata per una vasta gamma di applicazioni. Robusto e resistente alla corrosione – Costruito in AISI316L da barra Dimensioni di ingombro ridotte – Leggero Montaggio a pannello con staffa inox.

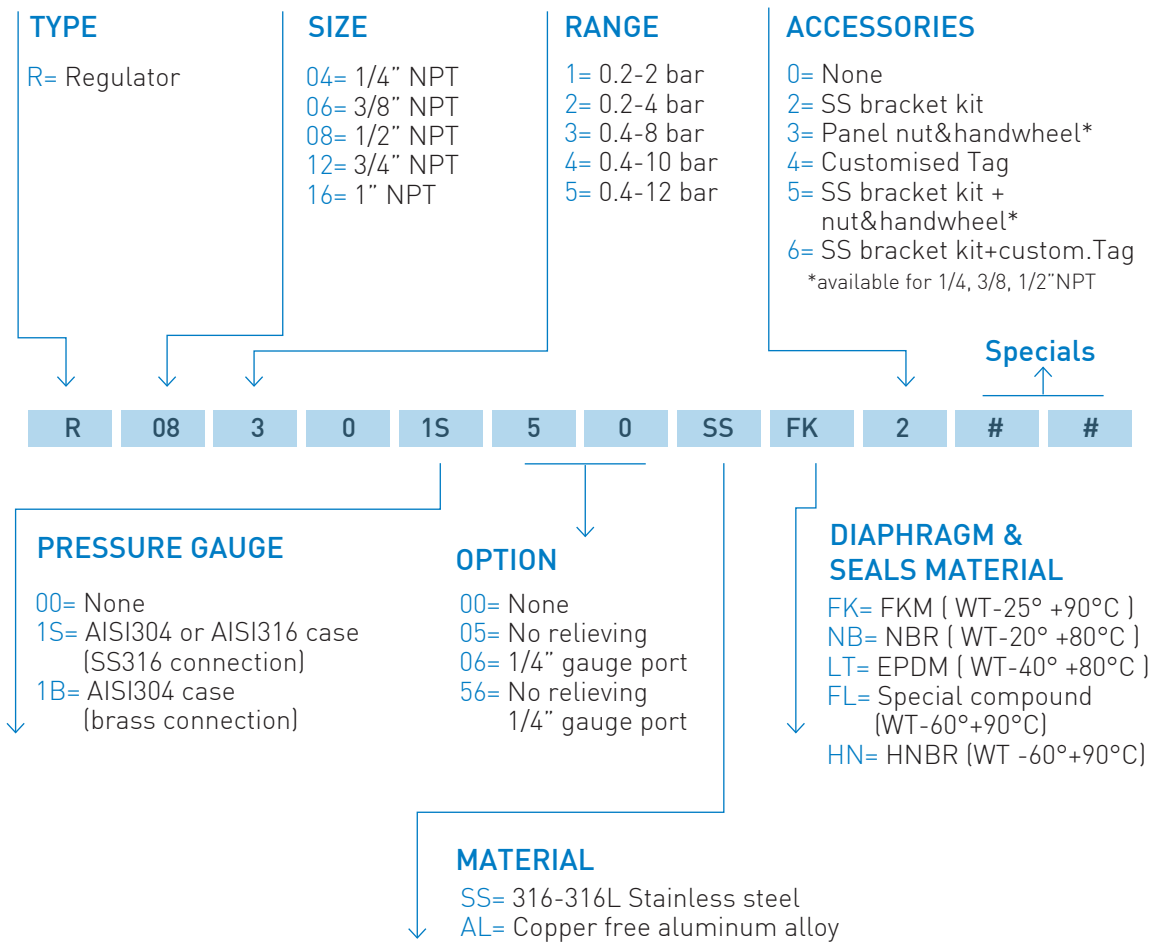
<b>BUILDING MATERIALS</b>	<b>Materiali costruttivi</b>
<b>Body, cup &amp; end adaptors in Stainless steel AISI316L to NACE MR0175</b>	Corpo, tazza e flangette laterali in acciaio inossidabile AISI316L secondo NACE MR0175
<b>Bracket, lock and panel nuts, fixing screws in 316 stainless steel</b>	Staffa, dadi di bloccaggio e pannello, viti di fissaggio in acciaio inossidabile AISI316
<b>Seals &amp; gaskets in elastomer and vergin PTFE</b>	Tenute e guarnizioni in elastomero e PTFE vergine
<b>5micron filtering element in AISI316 sinterized stainless steel</b>	Elemento filtrante da 5micron in acciaio inossidabile sinterizzato AISI316

BT-TFSS/C20A

# Ordering information - Pressure regulators

## Come ordinare - Regolatori di pressione

www.sitecna.eu



### CODE EXAMPLES

R 06 3 0 1S 0 6 SS FK 2

**3/8"NPT, SS316, 0 to 8 bar range pressure regulator, relieving, SS pressure gauge, 1/4"NPT gauge port, ss bracket kit and FKM diaphragm & seals**  
Regolatore di pressione da 3/8"NPT in AISI316, range regolato 0/8 bar, manometro tutto inox, attacco manometro 1/4"NPT, relieving, staffa inox, diaframma e tenute in FKM

R 12 1 0 00 5 0 AL LT 0

**3/4"NPT, aluminum alloy, 0 to 2 bar range, pressure regulator, no relieving, EPDM diaphragm & seals**  
Filtro regolatore da 3/8"NPT in alluminio esente rame, range regolato 0/8 bar, no relieving, diaframma e tenute in EPDM



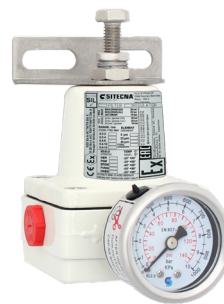
01-R/23A

www.sitecna.eu

## Copper free aluminum alloy 1/4" NPT pressure regulator – R Serie

Regolatore di pressione da 1/4" NPT in lega di alluminio esente rame – serie R

- Suitable for automation equipment to onshore, offshore, pharmaceutical, medical and food applications
- Full material traceability
- Excellent stability and repeatability
- Accurate adjustment and high flow capacity
- ATEX 2014/34/UE II 2G Ex h IIC T6/T5 Gb X  
II 2D Ex h IIIC T85°C/T100°C Db X
- & approved / IP66/ SIL 3 - IEC 61508



Non Relieving

- Adatto per automazione in applicazioni marine, petrolchimiche, farmaceutiche, medicali e alimentari
- Completa rintracciabilità dei materiali
- Eccellente stabilità e ripetibilità
- Precise regolazioni ed elevate portate
- ATEX 2014/34/UE II 2G Ex h IIC T6/T5 Gb X  
II 2D Ex h IIIC T85°C/T100°C Db X
- Approvato ed / IP66 / SIL 3 - IEC 61508

Media / Fluido	Air, inert gases, sweet and sour gases, clean water
Port thread / Connessioni	1/4" NPT
Gauge Connection Connessione manometro	1/8" NPT (1/4" NPT option)
Max inlet pressure Pressione massima di ingresso	25bar
Relieving / Scarico sovrappressioni	standard
Flow Rate (@10 bar inlet, 6bar regulated, delta P=1bar) / Portata	940dm <sup>3</sup> /min Cv=0.9
Working Temperature Temperatura di esercizio	-20°C up to 80°C (NBR); -25°C up to 90°C (FKM); -40°C up to 80°C (EPDM); -60° up tp 90°C (FVMQ)*
Regulated pressure Pressioni regolate	0.2/2, 0.2/4, 0.4/8, 0.4/10, 0.4/12bar

Air supply must be dry enough to avoid ice formation at temperatures below +2°C (+35°F).

\*Special version in HNBR (WT -60°C + 90°C)

**It provides excellent regulation for a wide range of applications. Rugged and corrosion-resistant – made of aluminum alloy and SS AISI304/316. Compact small package size /**  
 Permette una regolazione accurata per una vasta gamma di applicazioni. Robusto e resistente alla corrosione – Costruito lega di alluminio ed AISI304/316 - Dimensioni di ingombro ridotte

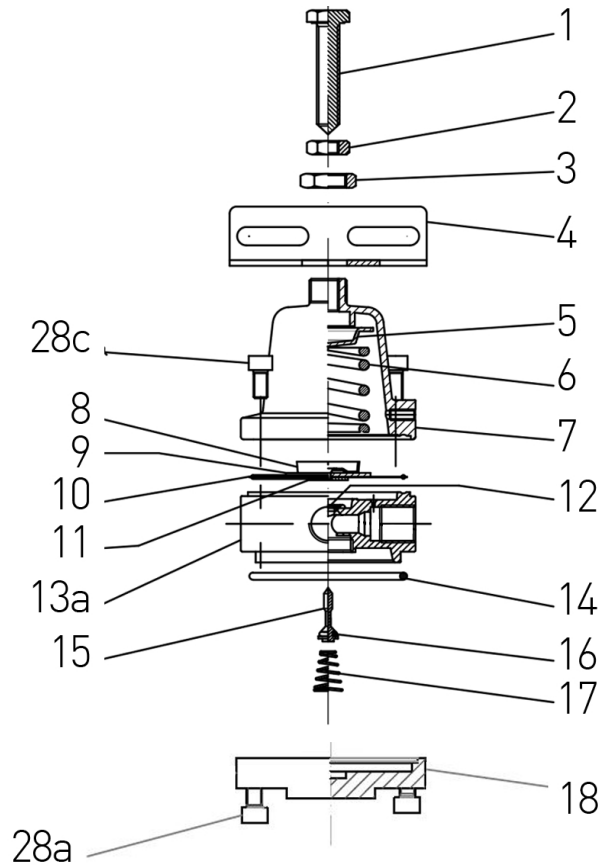
BUILDING MATERIALS	Materiali costruttivi
Body, bonnet, end plate in tropicalized aluminum alloy	Corpo, tazza superiore, piastra inferiore in lega di alluminio tropicalizzata
Internals, adjustment screw, bracket, lock and panel nuts, fixing screws in stainless steel	Parti interne, vite di regolazione, staffa, dadi di bloccaggio e pannello, viti di fissaggio in acciaio inossidabile
Diaphragm & seals in elastomer	Diaframma e guarnizioni in elastomero

BT-R04AL/C23A

## Product exploded view

Esploso del prodotto

www.sitecna.eu



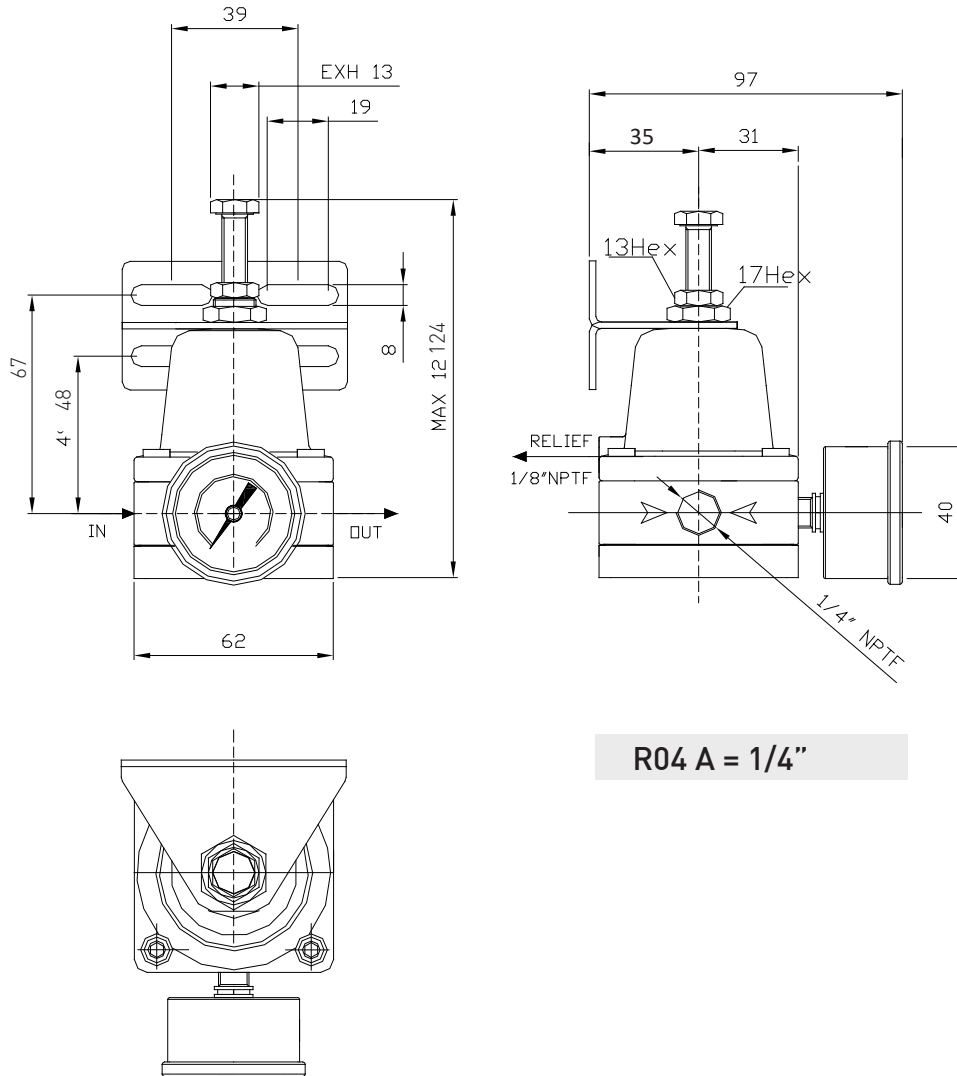
Pos.	Q.ty	Description	Descrizione
1	1	ADJUSTMENT SCREW	VITE DI REGOLAZIONE
2	1	LOCK ADJUSTMENT NUT	DADO FISSAGGIO REGOLAZIONE
3	1	BRACKET NUT	DADO STAFFA
4a	1	BRACKET	STAFFA
5	1	UPPER SPRING SEAT	SEDE SUPERIORE MOLLA
6	1	ADJUSTMENT SPRING	MOLLA DI REGOLAZIONE
7	1	BONNET	TAZZA SUPERIORE
8	1	LOWER SPRING GUIDE	GUIDA INFERIORE MOLLA
9	1	LOWER SPRING RESET	RESET INFERIORE MOLLA
10	1	DIAPHRAGM	DIAFRAMMA
11	1	VALVE SEAT	SEDE VALVOLA
12	1	PTFE RING	ANELLO PTFE
13a	1	BODY	CORPO
14	1	O-RING	O-RING
15	1	VALVE STEM	CORPO VALVOLA
16	1	O-RING VALVE STEM	O-RING CORPO VALVOLA
17	1	VALVE SPRING	MOLLA VALVOLA
18	1	REGULATOR BOTTOM	PIATTELLO
28a	4	SCREW M5X10	VITI M5X10
28c	4	SCREW M5X10	VITI M5X10

BT-R40AL/C23B

www.sitecna.eu

## Overall dimension

Dimensioni di ingombro



**R04 A = 1/4"**

## Accessories and repair kit

Accessori e ricambi

<b>Maintenance kit / Kit manutenzione</b>	Items K-R04-0-* -AL-** [1/4"]
<b>Pressure gauge DN40mm, SS case, Bar+psi+kpa range / Manometro DN40mm, cassa inox, scala Bar+psi+kpa</b>	0-2bar MBSNP4S2PN3S 0-4bar MBSNP4S2PN05 0-10bar MBSNP4S2PN07
<b>Bracket /Staffa</b>	<b>SQ-FR04</b>
<b>Anti-tamper kit / Kit anti-manomissione</b>	KTAM04-08



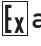

\* Refers to relieving options: 0→Relieving 5 → Non Relieving

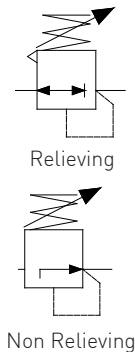
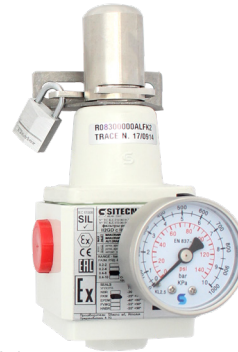
\*\* Refers to seals type: FK→FKM NB→NBR LT→EPDM FL→FVMQ HN→HNBR





BT-R04AL/C23C

## Copper free aluminum alloy 3/8", 1/2"NPT pressure regulator – R serie

Regolatore di pressione da 3/8" e 1/2"NPT in lega di alluminio esente rame – serie R

- Suitable for automation equipment to onshore, offshore, pharmaceutical, medical and food applications
- Full material traceability
- Excellent stability and repeatability
- Accurate adjustment and high flow capacity
- ATEX 2014/34/UE  II 2G Ex h IIC T6/T5 Gb X  
II 2D Ex h IIIC T85°C/T100°C Db X
-  &  approved / IP66 / SIL 3 - IEC 



- Adatto per automazione in applicazioni marine, petrolchimiche, farmaceutiche, medicali e alimentari
- Completa rintracciabilità dei materiali
- Eccellente stabilità e ripetibilità
- Precise regolazioni ed elevate portate
- ATEX 2014/34/UE  II 2G Ex h IIC T6/T5 Gb X  
II 2D Ex h IIIC T85°C/T100°C Db X
- Approvato  ed  / IP66 / SIL 3 - IEC 61508 

Media / Fluido	Air, inert gases, sweet and sour gases, clean water
Port thread / Connessioni	3/8"-1/2"NPT
Gauge Connection Connessione manometro	1/8"NPT (1/4"NPT option)
Max inlet pressure Pressione massima di ingresso	25bar
Relieving / Scarico sovrappressioni	standard
Flow Rate (@10 bar inlet, 6bar regulated, delta P=1bar) / Portata	4500dm3/min Cv=4.5
Working Temperature Temperatura di esercizio	-20°C up to 80°C (NBR); -25°C up to 90°C (FKM); -40°C up to 80°C (EPDM); -60° up tp 90°C (FVMQ)*
Regulated pressure Pressioni regolate	0.2/2, 0.2/4, 0.4/8, 0.4/10, 0.4/12bar

Air supply must be dry enough to avoid ice formation at temperatures below +2°C (+35°F).

\*Special version in HNBR (WT -60°C + 90°C)

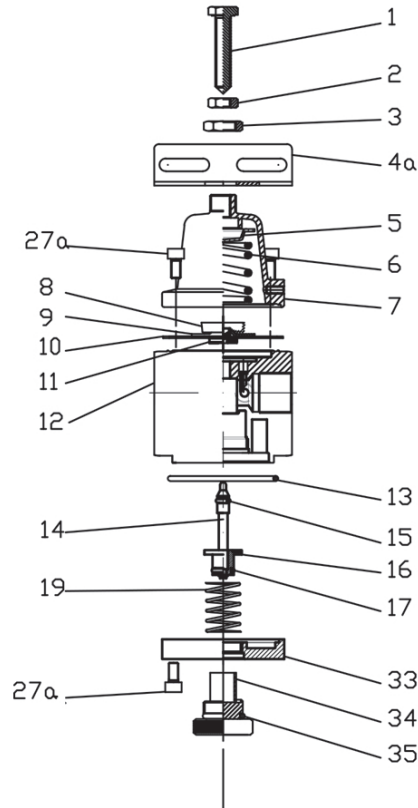
**It provides excellent regulation for a wide range of applications. Rugged and corrosion-resistant – made of aluminum alloy and SS AISI304/316. Compact small package size – light weight /** Permette una regolazione accurata per una vasta gamma di applicazioni. Robusto e resistente alla corrosione – Costruito lega di alluminio ed AISI304/316 - Dimensioni di ingombro ridotte

BUILDING MATERIALS	Materiali costruttivi
Body, bonnet, end plate in tropicalized aluminum alloy	Corpo, tazza superiore, piastra inferiore in lega di alluminio tropicalizzata
Internals, adjustment screw, bracket, lock and panel nuts, fixing screws in stainless steel	Parti interne, vite di regolazione, staffa, dadi di bloccaggio e pannello, viti di fissaggio in acciaio inossidabile
Diaphragm & seals in elastomer	Diaframma e guarnizioni in elastomero

**Product exploded view**

Esploso del prodotto

www.sitecna.eu

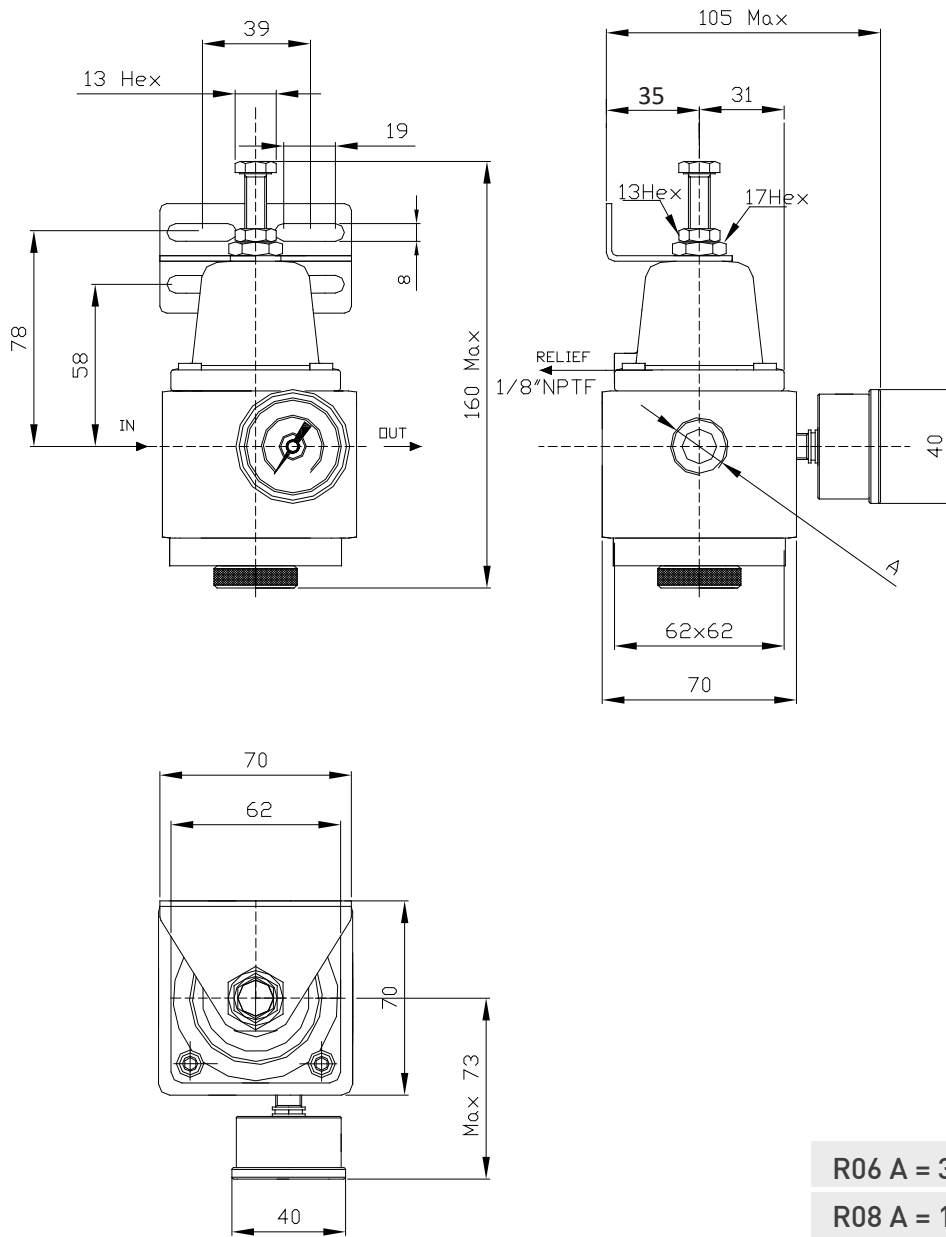


Pos.	Q.ty	Description	Descrizione
1	1	ADJUSTMENT SCREW	VITE DI REGOLAZIONE
2	1	LOCK ADJUSTMENT NUT	DADO FISSAGGIO REGOLAZIONE
3	1	BRACKET NUT	DADO STAFFA
4a	1	BRACKET FR/R	STAFFA
5	1	UPPER SPRING SEAT	SEDE SUPERIORE MOLLA
6	1	ADJUSTMENT SPRING	MOLLA DI REGOLAZIONE
7	1	BONNET	TAZZA SUPERIORE
8	1	LOWER SPRING GUIDE	GUIDA INFERIORE MOLLA
9	1	LOWER SPRING RESET	RESET INFERIORE MOLLA
10	1	DIAPHRAGM	DIAFRAMMA
11	1	VALVE SEAT	SEDE VALVOLA
12	1	BODY	CORPO
13	1	O-RING	O-RING
14	1	VALVE STEM	CORPO VALVOLA
15	1	O'RING VALVE STEM	O'RING CORPO VALVOLA
16	1	VALVE	VALVOLA
17	1	O'RING VALVE	O'RING VALVE
19	1	VALVE SPRING	MOLLA VALVOLA
27a	8	SCREW M5X10	VITI M5X10
33	1	REGULATOR BOTTOM	PIATTELLO
34	1	REGULATOR VALVE SEAT	SEDE VALVOLA
35	1	O-RING	O-RING

BT-R08AL/23B

## Overall dimension

Dimensioni di ingombro



R06 A = 3/8"

R08 A = 1/2"

## Accessories and repair kit

Accessori e ricambi

Maintenance kit / Kit manutenzione	Items K-R08-0-* -AL-**
Pressure gauge DN40mm, SS case, Bar+psi+kpa range / Manometro DN40mm, cassa inox, scala Bar+psi+kpa	0-2bar MBSNP4S2PN3S 0-4bar MBSNP4S2PN05 0-10bar MBSNP4S2PN07
<b>Bracket /Staffa</b>	<b>SQ-FR04</b>
<b>Anti-tamper kit / Kit anti-manomissione</b>	KTAM04-08

\* Refers to relieving options: 0 → Relieving 5 → Non Relieving

\*\* Refers to seals type: FK → FKM NB → NBR LT → EPDM FL → FVMQ HN → HNBR

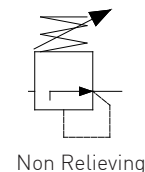
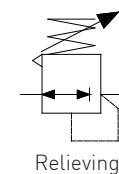


www.sitecna.eu

## Copper free aluminum alloy 3/4", 1"NPT pressure regulator – R serie

Regolatore di pressione da 3/4" - 1"NPT in lega di alluminio esente rame – serie R

- Suitable for automation equipment to onshore, offshore, pharmaceutical, medical and food applications
- Full material traceability
- Excellent stability and repeatability
- Accurate adjustment and high flow capacity
- ATEX 2014/34/UE II 2G Ex h IIC T6/T5 Gb X  
II 2D E xh IIIC T85°C/T100°C Db X
- & approved / IP66/ SIL 3 - IEC 61508



- Adatto per automazione in applicazioni marine, petrolchimiche, farmaceutiche, medicali e alimentari
- Completa rintracciabilità dei materiali
- Eccellente stabilità e ripetibilità
- Precise regolazioni ed elevate portate
- ATEX 2014/34/UE II 2G Ex h IIC T6/T5 Gb x  
II 2D Ex h IIIC T85°C/T100°C Db X
- Approvato ed / IP66 / SIL 3 - IEC 61508

Media / Fluido	Air, inert gases, sweet and sour gases, clean water
Port thread / Conessioni	3/4" - 1" NPT
Gauge Connection Connessione manometro	1/4"NPT (1/8"NPT option)
Max inlet pressure / Pressione massima di ingresso	25bar
Relieving/ Scarico sovrappressioni	Standard
Flow rate (@10bar inlet, 6bar regulated, delta P=1bar) / Portata	11500dm <sup>3</sup> /min Cv=11.5
Working temperature / Temperatura di esercizio	-20°C up to 80°C (NBR); -25°C up to 90°C (FKM); -40°C up to 80°C (EPDM); -60° up tp 90°C (FVMQ)*
Regulated pressure Pressioni regolate	0.2/2, 0.2/4, 0.4/8, 0.4/10, 0.4/12bar

Air supply must be dry enough to avoid ice formation at temperatures below +2°C (+35°F).

\*Special version in HNBR (WT -60°C + 90°C)

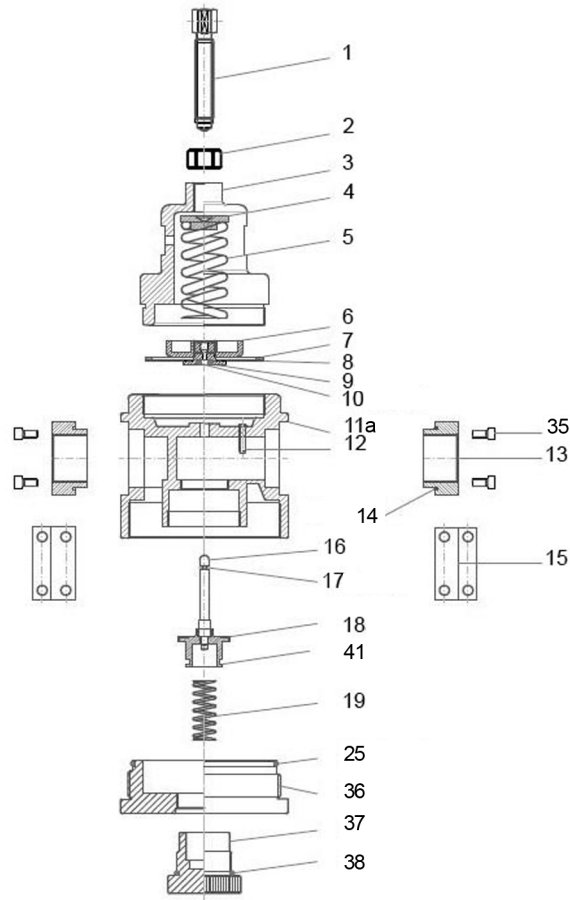
**It provides excellent regulation and for a wide range of applications. Rugged and corrosion-resistant – made of aluminum alloy and SS AISI304/316 /** Permette un'accurata regolazione per una vasta gamma di applicazioni. Robusto e resistente alla corrosione – Costruito lega di alluminio ed AISI316

BUILDING MATERIALS	Materiali costruttivi
Body, bonnet, end plate in tropicalized aluminum alloy	Corpo, tazza superiore, piastra inferiore in lega di alluminio tropicalizzata
Internals, adjustment screw, bracket, lock and panel nuts, fixing screws in stainless steel	Parti interne, vite di regolazione, staffa, dadi di bloccaggio e pannello, viti di fissaggio in acciaio inossidabile
Diaphragm & seals in elastomer	Diaframma e guarnizioni in elastomero

BT-R16AL/C23A

## Product exploded view

Esploso del prodotto

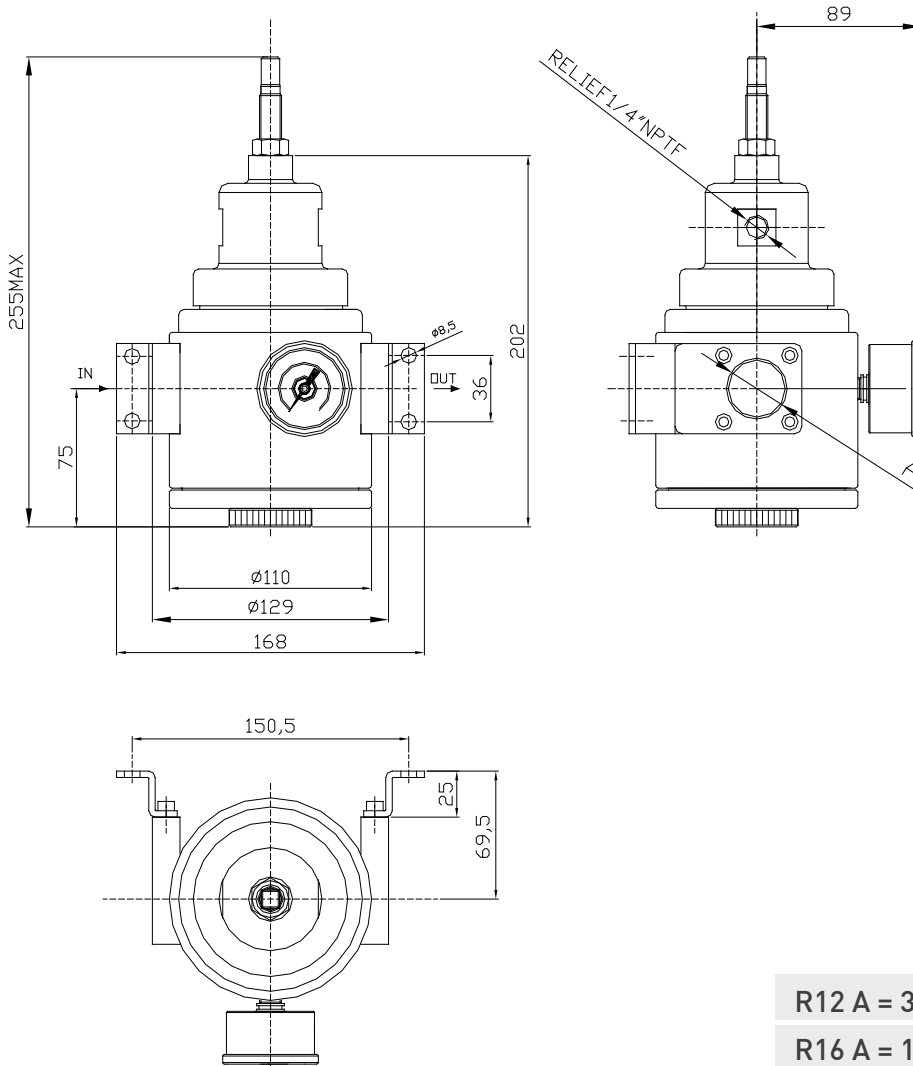


Pos.	Q.ty	Description	Descrizione
1	1	ADJUSTMENT SCREW	VITE DI REGOLAZIONE
2	1	LOCK ADJUSTMENT NUT	DADO FISSAGGIO REGOLAZIONE
3	1	BONNET	TAZZA SUPERIORE
4	1	UPPER SPRING SEAT	SEDE SUPERIORE MOLLA
5	1	ADJUSTMENT SPRING	MOLLA DI REGOLAZIONE
6	1	LOWER SPRING RESET	RESET INFERIORE MOLLA
7	1	SLIP RING	SLIP RING
8	1	DIAPHRAGM	SEDE VALVOLA
9	1	VALVE SEAT	CORPO
10	1	O'RING (ONLY FOR RELIEVING)	O'RING (SOLO PER RELIEVING)
11a	1	BODY	CORPO
12	1	SIPHON	SIFONE
13	2	CONNECTION	TERMINALI FILETTATI
14	2	O'RING	O'RING
15	2	BRACKET	STAFFA
16	1	VALVE STEM	COPRO VALVOLA
17	1	O'RING	O'RING
18	1	VALVE	VALVOLA
19	1	VALVE SPRING	MOLLA VALVOLA
35	8	SCREW M5x16 DIN 912 A2	VITI M5X16
36	1	REGULATOR BOTTOM	PIATTELLO
37	1	REGULATOR VALVE SEAT	SEDE VALVOLA
38	1	O'RING	O'RING
41	1	O'RING VALVE	O'RING VALVE

**Overall dimension**

Dimensioni di ingombro

www.sitecna.eu



R12 A = 3/4"  
R16 A = 1"

**Accessories and repair kit**

Accessori e ricambi

Maintenance kit / Kit manutenzione	Items K-R16-0-* -AL-**
Pressure gauge DN40mm, SS case, Bar+psi+kpa range / Manometro DN40mm, cassa inox, scala Bar+psi+kpa	0-2bar MBSNP4S2PN3S 0-4bar MBSNP4S2PN05 0-10bar MBSNP4S2PN07
Bracket / Staffa	SQ-FR16
<b>Anti-tamper kit / Kit anti-manomissione</b>	KTAM04-08





\* Refers to relieving options: 0→Relieving 5 → Non Relieving





\*\* Refers to seals type: FK→FKM NB→NBR LT→EPDM FL→FVMQ HN→HNBR

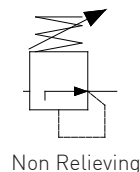
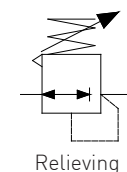
BT-R16AL/C23C

## AISI316L 1/4"NPT pressure regulator – R serie

Regolatore di pressione da 1/4"NPT in AISI316L – serie R

- Suitable for automation equipment to onshore, offshore, pharmaceutical, medical and food applications
- Full material traceability
- Excellent stability and repeatability
- Accurate adjustment and high flow capacity
- ATEX 2014/34/UE  II 2G Ex h IIC T6/T5 Gb X  
II 2D Ex h IIIC T85°C/T100°C Db X
-  &  approved / IP66/ SIL 3 - IEC 61508 

- Adatto per automazione in applicazioni marine, petrolchimiche, farmaceutiche, medicali e alimentari
- Completa rintracciabilità dei materiali
- Eccellente stabilità e ripetibilità
- Precise regolazioni ed elevate portate
- ATEX 2014/34/UE  II 2G Ex h IIC T6/T5 Gb X  
II 2D Ex h IIIC T85°C/T100°C Db X
- Approvato  ed  / IP66 / SIL 3 - IEC 61508 



Media / Fluido	Air, inert gases, sweet and sour gases, clean water
Port thread / Conessioni	1/4"NPT
Gauge Connection Connessione manometro	1/8"NPT (1/4"NPT option)
Max inlet pressure / Pressione massima di ingresso	30bar
Relieving/ Scarico sovrappressioni	Standard
Flow Rate (@10 bar inlet, 6bar regulated, delta P=1bar)/ Portata	940dm <sup>3</sup> /min Cv=0.9
Working temperature / Temperatura di esercizio	-20°C up to 80°C (NBR); -25°C up to 90°C (FKM); -40°C up to 80°C (EPDM); -60° up tp 90°C (FVMQ)*
Regulated pressure Pressioni regolate	0.2/2, 0.2/4, 0.4/8, 0.4/10, 0.4/12bar

Air supply must be dry enough to avoid ice formation at temperatures below +2°C (+35°F).

\*Special version in HNBR (WT -60°C + 90°C)

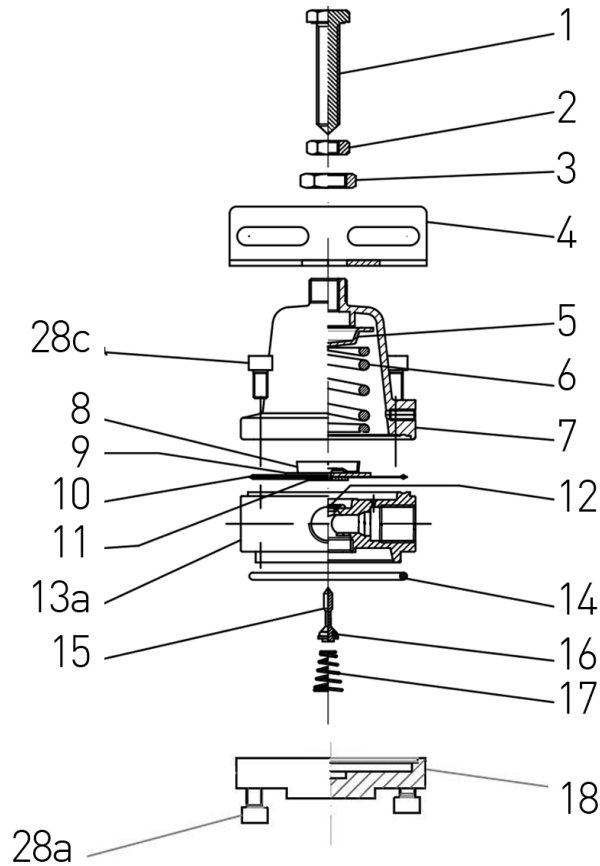
**It provides excellent regulation for a wide range of applications. Rugged and corrosion resistant - made of 316/316L stainless steel.**

Permette una regolazione accurata per una vasta gamma di applicazioni. Robusto e resistente alla corrosione - costruito in AISI316/316L.

BUILDING MATERIALS	Materiali costruttivi
Body, bonnet, end plate in AISI 316/316L stainless steel	Corpo, coperchio, piastra inferiore acciaio inossidabile AISI316/316L
Internals, adjustment screw, bracket, lock and panel nuts, fixing screws in stainless steel	Parti interne, vite di regolazione, staffa, dadi di bloccaggio e pannello, viti di fissaggio in acciaio inossidabile
Diaphragm & seals in elastomer	Diaframma e guarnizioni in elastomero

**Product exploded view**

Esploso del prodotto

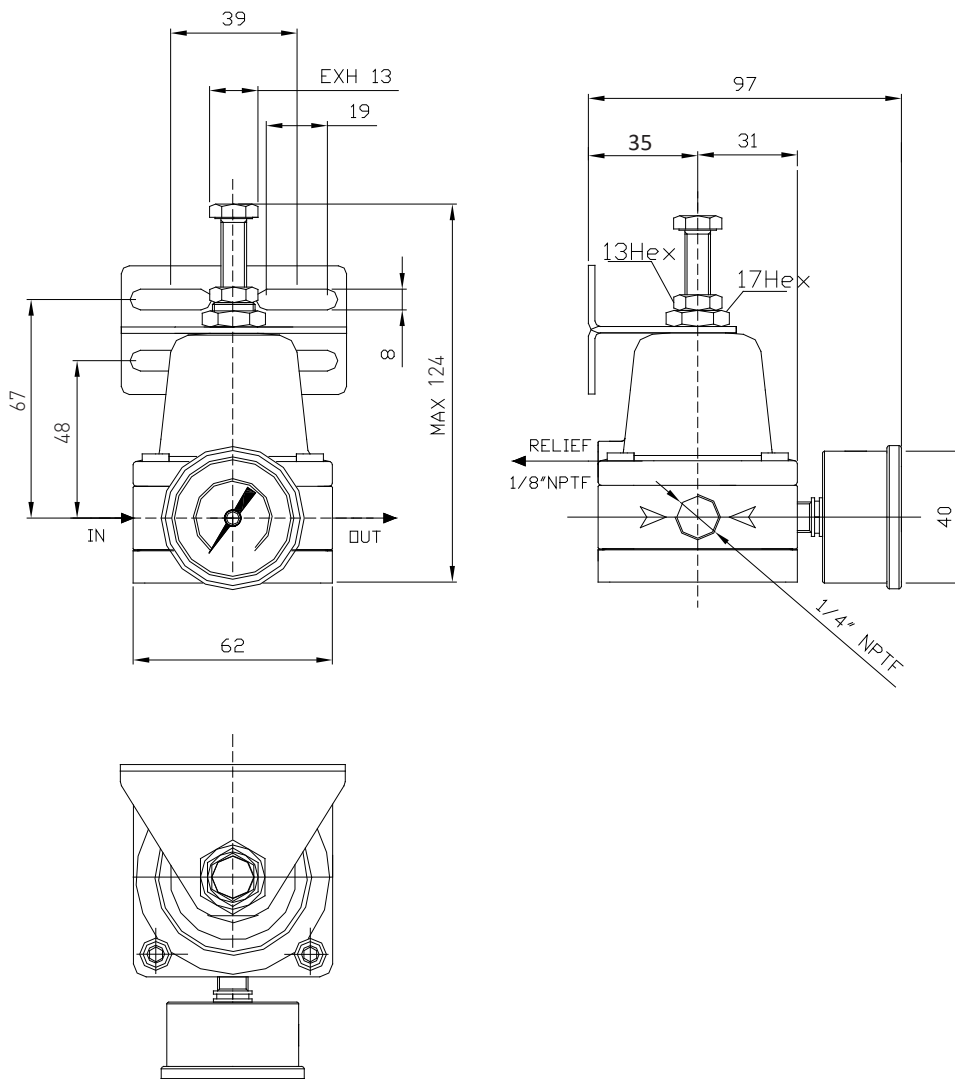


Pos.	Q.ty	Description	Descrizione
1	1	ADJUSTMENT SCREW	VITE DI REGOLAZIONE
2	1	LOCK ADJUSTMENT NUT	DADO FISSAGGIO REGOLAZIONE
3	1	BRACKET NUT	DADO STAFFA
4a	1	BRACKET	STAFFA
5	1	UPPER SPRING SEAT	SEDE SUPERIORE MOLLA
6	1	ADJUSTMENT SPRING	MOLLA DI REGOLAZIONE
7	1	BONNET	TAZZA SUPERIORE
8	1	LOWER SPRING GUIDE	GUIDA INFERIORE MOLLA
9	1	LOWER SPRING RESET	RESET INFERIORE MOLLA
10	1	DIAPHRAGM	DIAFRAMMA
11	1	VALVE SEAT	SEDE VALVOLA
12	1	PTFE RING	ANELLO PTFE
13a	1	BODY	CORPO
14	1	O-RING	O-RING
15	1	VALVE STEM	CORPO VALVOLA
16	1	O-RING VALVE STEM	O-RING VALVE STEM
17	1	VALVE SPRING	MOLLA VALVOLA
18	1	REGULATOR BOTTOM	PIATTELLO
28a	4	SCREW M5X10	VITI M5X10
28c	4	SCREW M5X10	VITI M5X10

BT-R04SS/C23B

## Overall dimension

Dimensioni di ingombro



R04 A = 1/4"

## Accessories and repair kit

Accessori e ricambi

Maintenance kit / Kit manutenzione	K-R04-0-* <sup>-</sup> SS- <sup>**</sup> [1/4"]
Pressure gauge DN40mm, all inox, Bar+psi+kpa range / Manometro DN40mm, tutto inox, scala Bar+psi+kpa	0-2,5 bar MBS6P4S2PN04 0-4bar MBS6P4S2PN05 0-10bar MBS6P4S2PN07
Bracket / Staffa	SQ-FR04
<b>Anti-tamper kit / Kit anti-manomissione</b>	<b>KTAM04-08</b>

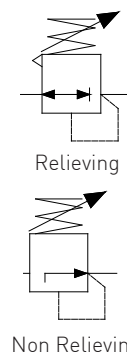
\* Refers to relieving options: 0 → Relieving 5 → Non Relieving

\*\* Refers to seals type: FK → FKM NB → NBR LT → EPDM FL → FVMQ HN → HNBR

### AISI316L 3/8"-1/2"NPT pressure regulator – R serie

Regolatore di pressione da 3/8" e 1/2"NPT in AISI316L – serie R

- Suitable for automation equipment to onshore, offshore, pharmaceutical, medical and food applications
- Full material traceability
- Excellent stability and repeatability
- Accurate adjustment and high flow capacity
- ATEX 2014/34/UE II 2G Ex h IIC T6/T5 Gb X  
II 2D Ex h IIIC T85°C/T100°C Db X
- & approved / IP66/ SIL 3 - IEC 61508
- Adatto per automazione in applicazioni marine, petrolchimiche, farmaceutiche, medicali e alimentari
- Completa rintracciabilità dei materiali
- Eccellente stabilità e ripetibilità
- Precise regolazioni ed elevate portate
- ATEX 2014/34/UE II 2G Ex h IIC T6/T5 Gb X  
II 2D Ex h IIIC T85°C/T100°C Db X
- Approvato ed / IP66 / SIL 3 - IEC 61508



Media / Fluido	Air, inert gases, sweet and sour gases, clean water
Port thread / Conessioni	3/8"-1/2"NPT
Gauge Connection Connessione manometro	1/8"NPT (1/4"NPT option)
Max inlet pressure / Pressione massima di ingresso	30bar
Relieving/ Scarico sovrappressioni	Standard
Flow Rate (@10 bar inlet, 6bar regulated, delta P=1bar)/ Portata	4500dm3/min Cv=4.5
Working temperature / Temperatura di esercizio	-20°C up to 80°C (NBR); -25°C up to 90°C (FKM); -40°C up to 80°C (EPDM); -60° up tp 90°C (FVMQ)*
Regulated pressure Pressioni regolate	0.2/2, 0.2/4, 0.4/8, 0.4/10, 0.4/12bar

Air supply must be dry enough to avoid ice formation at temperatures below +2°C (+35°F).

**\*Special version in HNBR (WT -60°C + 90°C)**

**It provides excellent regulation for a wide range of applications. Rugged and corrosion resistant - made of 316/316L stainless steel.**

Permette una regolazione accurata per una vasta gamma di applicazioni. Robusto e resistente alla corrosione - costruito in AISI316/316L.

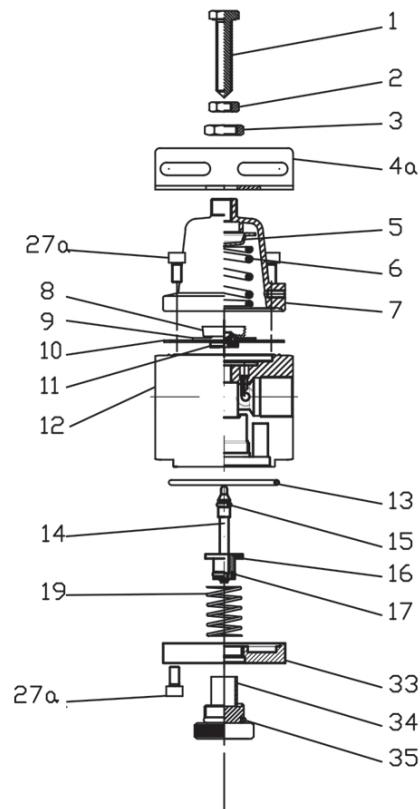
BUILDING MATERIALS	Materiali costruttivi
Body, bonnet, end plate in AISI 316/316L stainless steel	Corpo, coperchio, piastra inferiore acciaio inossidabile AISI316/316L
Internals, adjustment screw, bracket, lock and panel nuts, fixing screws in stainless steel	Parti interne, vite di regolazione, staffa, dadi di bloccaggio e pannello, viti di fissaggio in acciaio inossidabile
Diaphragm & seals in elastomer	Diaframma eguarnizioni in elastomero

www.sitecna.eu

BT-R08SS/C23A

## Product exploded view

Esploso del prodotto



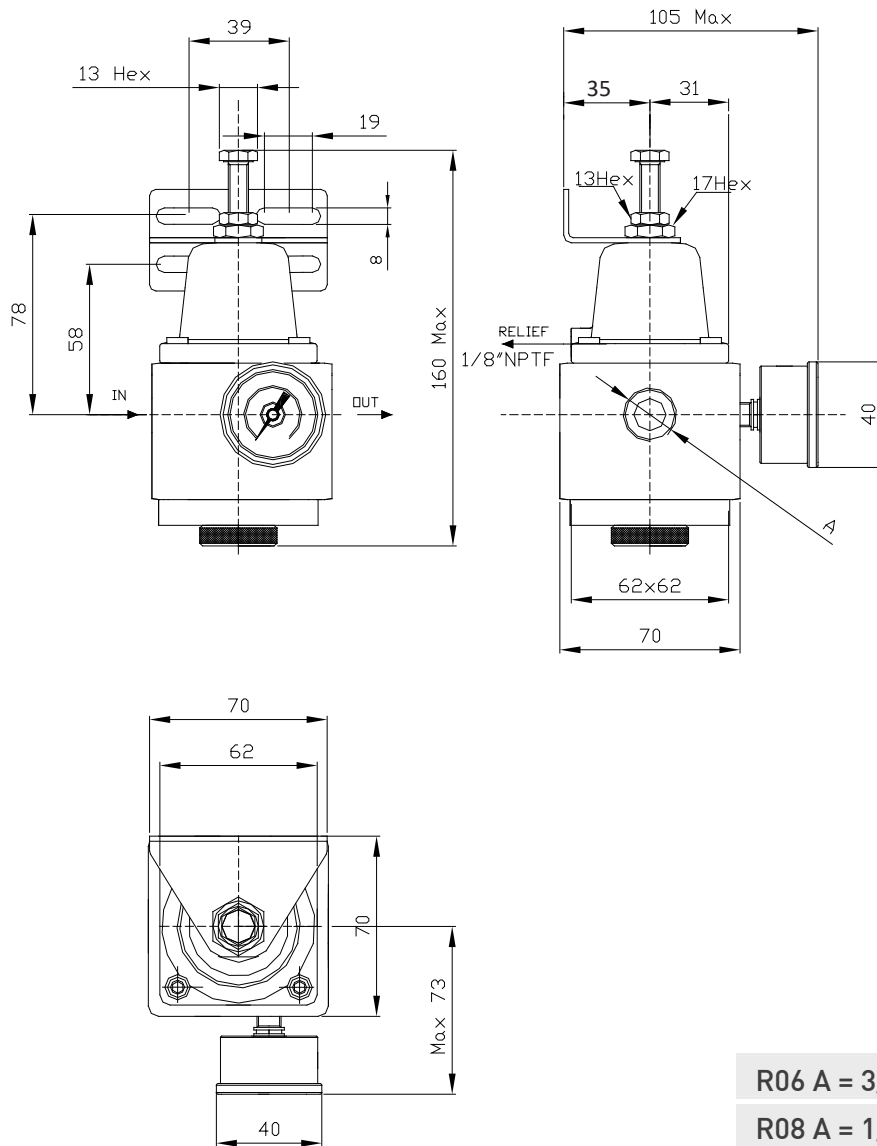
Pos.	Q.ty	Description	Descrizione
1	1	ADJUSTMENT SCREW	VITE DI REGOLAZIONE
2	1	LOCK ADJUSTMENT NUT	DADO FISSAGGIO REGOLAZIONE
3	1	BRACKET NUT	DADO STAFFA
4a	1	BRACKET FR/R	STAFFA
5	1	UPPER SPRING SEAT	SEDE SUPERIORE MOLLA
6	1	ADJUSTMENT SPRING	MOLLA DI REGOLAZIONE
7	1	BONNET	TAZZA SUPERIORE
8	1	LOWER SPRING GUIDE	GUIDA INFERIORE MOLLA
9	1	LOWER SPRING RESET	RESET INFERIORE MOLLA
10	1	DIAPHRAGM	DIAFRAMMA
11	1	VALVE SEAT	SEDE VALVOLA
12	1	BODY	CORPO
13	1	O-RING	O-RING
14	1	VALVE STEAM	CORPO VALVOLA
15	1	O'RING VALVE STEM	O'RING VALVE STEAM
16	1	VALVE	VALVOLA
17	1	O'RING VALVE	O'RING VALVE
19	1	VALVE SPRING	MOLLA VALVOLA
27a	8	SCREW M5X10	VITI M5X10
33	1	REGULATOR BOTTOM	PIATTELLO
34	1	REGULATOR VALVE SEAT	SEDE VALVOLA
35	1	O-RING	O-RING



www.sitecna.eu

### Overall dimension

Dimensioni di ingombro



R06 A = 3/8"  
R08 A = 1/2"

### Accessories and repair kit

Accessori e ricambi

Maintenance kit / Kit manutenzione	Items K-R08-0-*-SS-**
Pressure gauge DN40mm, all SS, Bar+psi+kpa range / Manometro DN40mm, tutto inox, scala Bar+psi+kpa	0-2,5 bar MBS6P4S2PN04 0-4bar MBS6P4S2PN05 0-10bar MBS6P4S2PN07
Bracket / Staffa	SQ-FR04
<b>Anti-tamper kit / Kit anti-manomissione</b>	KTAM04-08


\* Refers to relieving options: 0 → Relieving 5 → Non Relieving

\*\* Refers to seals type: FK → FKM NB → NBR LT → EPDM FL → FVMQ HN → HNBR






BT-R08SS/C23C

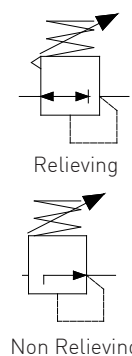
## AISI316L 3/4"-1"NPT pressure regulator – R serie

Regolatore di pressione da 3/4" - 1"NPT in AISI316L – serie R

- Suitable for automation equipment to onshore, offshore, pharmaceutical, medical and food applications
- Full material traceability
- Excellent stability and repeatability
- Accurate adjustment and high flow capacity
- ATEX 2014/34/UE  II 2G Ex h IIC T6/T5 Gb X  
II 2D Ex h IIIC T85°C/T100°C Db X

•  &  approved / IP66/ SIL 3 - IEC 61508 

- Adatto per automazione in applicazioni marine, petrolchimiche farmaceutiche, medicali e alimentari
- Completa rintracciabilità dei materiali
- Eccellente stabilità e ripetibilità
- Precise regolazioni  ed elevate portate
- ATEX 2014/34/UE  II 2G Ex h IIC T6/T5 Gb X  
II 2D Ex h IIIC T85°C/T100°C Db X
- Approvato  ed  / IP66 / SIL 3 - IEC 61508 



Media / Fluido	Air, inert gases, sweet and sour gases, clean water
Port thread / Conessioni	3/4"-1" NPT
Gauge Connection Connessione manometro	1/4"NPT (1/8"NPT option)
Max inlet pressure / Pressione massima di ingresso	30bar
Relieving/ Scarico sovrappressioni	Standard
Flow rate (@10bar inlet, 6bar regulated, delta P=1bar) / Portata	11500dm <sup>3</sup> /min Cv=11.5
Working temperature / Temperatura di esercizio	-20°C up to 80°C (NBR); -25°C up to 90°C (FKM); -40°C up to 80°C (EPDM); -60° up tp 90°C (FVMQ)*
Regulated pressure Pressioni regolate	0.2/2, 0.2/4, 0.4/8, 0.4/10, 0.4/12bar

Air supply must be dry enough to avoid ice formation at temperatures below +2°C (+35°F).

\*Special version in HNBR (WT -60°C + 90°C)

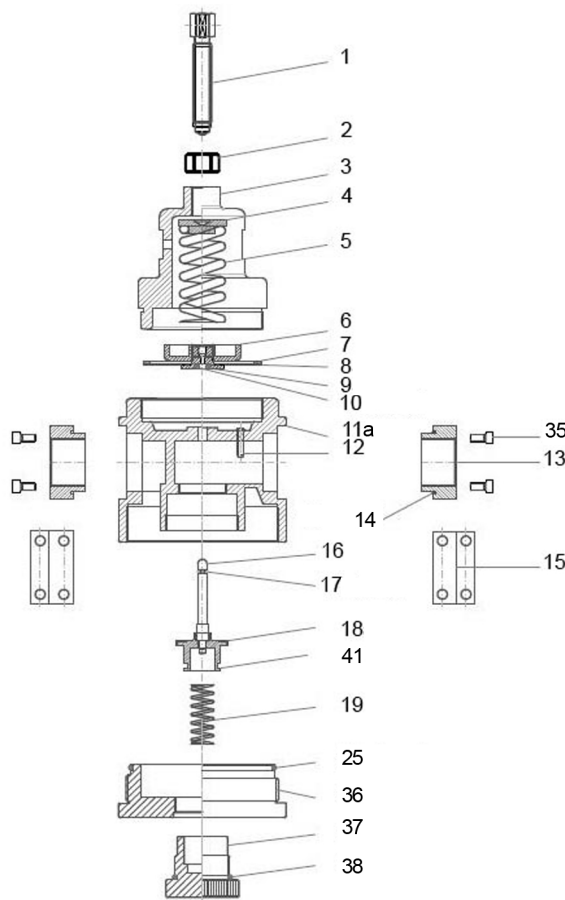
**It provides excellent regulation and for a wide range of applications. Rugged and corrosion-resistant – made of 316L stainless steel / Permette un'accurata regolazione per una vasta gamma di applicazioni. Robusto e resistente alla corrosione – Costruito in acciaio inossidabile 316L**

BUILDING MATERIALS	Materiali costruttivi
Body, bonnet, end plate in AISI 316/316L stainless steel	Corpo, coperchio, piastra inferiore acciaio inossidabile AISI316/316L
Internals, adjustment screw, bracket, lock and panel nuts, fixing screws in stainless steel	Parti interne, vite di regolazione, staffa, dadi di bloccaggio e pannello, viti di fissaggio in acciaio inossidabile
Diaphragm & seals in elastomer	Diaframma eguarnizioni in elastomero

Product exploded view

Esploso del prodotto

www.sitecna.eu

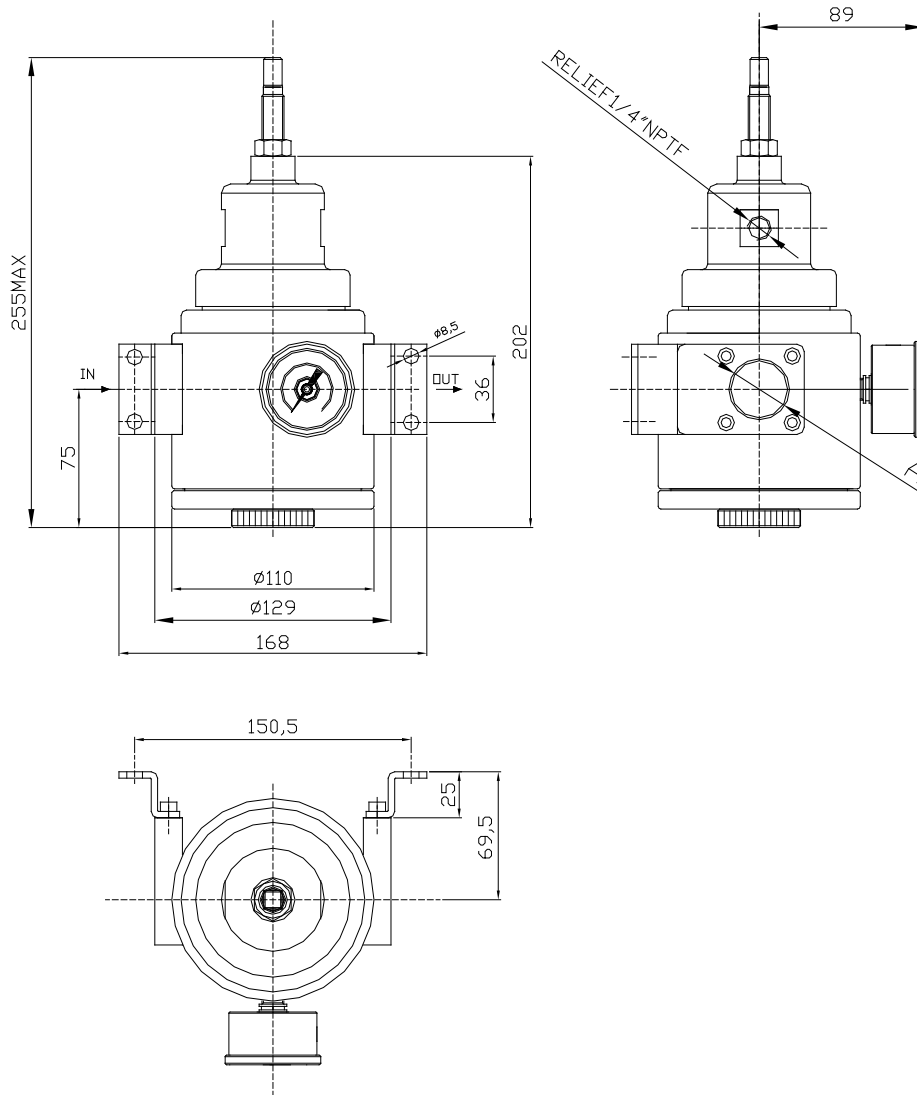


Pos.	Q.ty	Description	Descrizione
1	1	ADJUSTMENT SCREW	VITE DI REGOLAZIONE
2	1	LOCK ADJUSTMENT NUT	DADO FISSAGGIO REGOLAZIONE
3	1	BONNET	TAZZA SUPERIORE
4	1	UPPER SPRING SEAT	SEDE SUPERIORE MOLLA
5	1	ADJUSTMENT SPRING	MOLLA DI REGOLAZIONE
6	1	LOWER SPRING RESET	RESET INFERIORE MOLLA
7	1	SLIP RING	SLIP RING
8	1	DIAPHRAGM	SEDE VALVOLA
9	1	VALVE SEAT	CORPO
10	1	O'RING (ONLY FOR RELIEVING)	O'RING (SOLO PER RELIEVING)
11a	1	BODY	CORPO
12	1	SIPHON	SIFONE
13	2	CONNECTION	TERMINALI FILETTATI
14	2	O'RING	O'RING
15	2	BRACKET	STAFFA
16	1	VALVE STEM	COPRO VALVOLA
17	1	O'RING	O'RING
18	1	VALVE	VALVOLA
19	1	VALVE SPRING	MOLLA VALVOLA
35	8	SCREW M5x16 DIN 912 A2	VITI M5X16
36	1	REGULATOR BOTTOM	PIATTELLO
37	1	REGULATOR VALVE SEAT	SEDE VALVOLA
38	1	O'RING	O'RING
41	1	O'RING VALVE	O'RING VALVE

BT-R16SS/C23B

## Overall dimension

Dimensioni di ingombro



R12 A = 3/4"

R16 A = 1"

## Accessories and repair kit

Accessori e ricambi

Maintenance kit / Kit manutenzione	Items K-R16-0-SS-** [1"]
Pressure gauge DN40mm, SS case, Bar+psi+kpa range / Manometro DN40mm, tutto inox, scala Bar+psi+kpa	0-2,5 bar MBS6P4S2PN04 0-4bar MBS6P4S2PN05 0-10bar MBS6P4S2PN07
Bracket / Staffa	SQ-FR16
<b>Anti-tamper kit / Kit anti-manomissione</b>	<b>KTAM04-08</b>

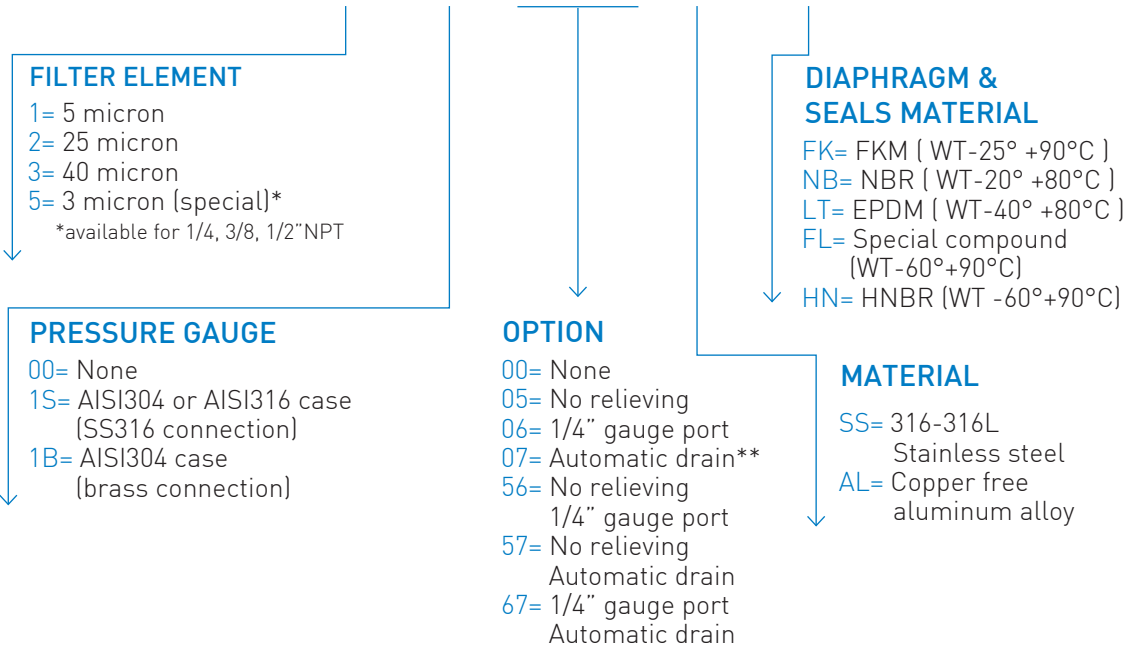
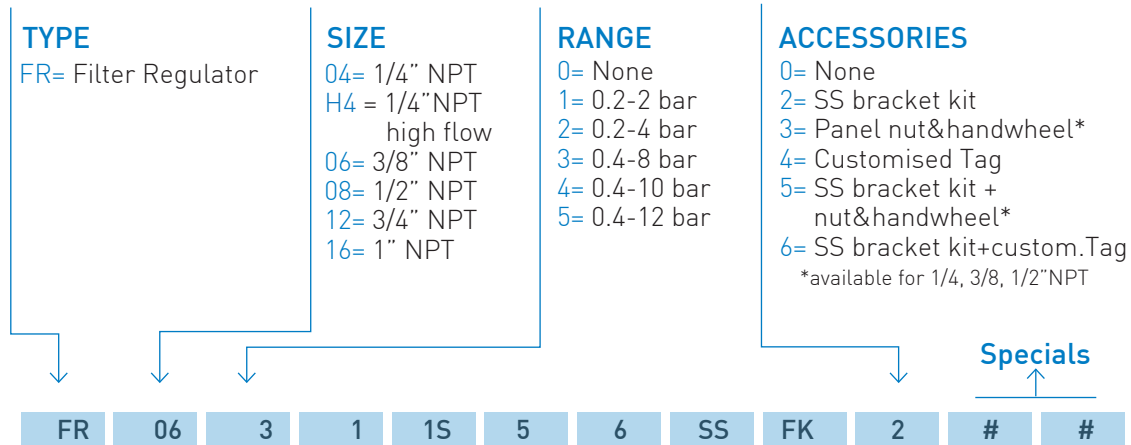
\* Refers to relieving options: 0→Relieving 5 → Non Relieving

\*\* Refers to seals type: FK→FKM NB→NBR LT→EPDM FL→FVMQ HN→HNBR

# Ordering information - Filter regulators

## Come ordinare - Filtri regolatori

www.sitecna.eu



### CODE EXAMPLES

FR 08 3 3 1S 0 7 SS FK 2

**1/2"NPT, SS316, 0 to 8 bar range, filter regulator, with 40 micron filtering element, relieving, SS pressure gauge, automatic drain, ss bracket kit and FKM diaphragm & seals**  
Filtro regolatore da 1/2"NPT in AISI316, range regolato 0/8 bar, elemento filtrante da 40 micron, manometro tutto inox, relieving, scarico condensa automatico, staffa inox, diaframma e tenute in FKM

FR 06 3 1 00 0 0 SS FK 0

**3/8"NPT, SS316, 0 to 8 bar range, filter regulator, with 5 micron filtering element, relieving and FKM diaphragm & seals**  
Filtro regolatore da 3/8"NPT in AISI316, range regolato 0/8 bar, elemento filtrante da 5 micron, relieving, diaframma e tenute in FKM



**\*\* Note for automatic drain: use not recommended for T<2°C (under this T the moisture in the medium could freeze and cause drain malfunction or breaking) / Nota per scarico automatico: uso non raccomandato per T<2°C (sotto questa T la condensa può ghiacciare e causare malfunzionamenti o rotture).**

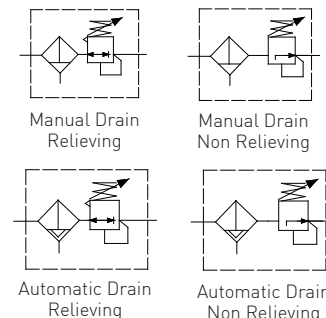
01-FR/23A

### Copper free aluminum alloy 1/4"NPT filter regulator – FR serie

Filtro Regolatore da 1/4"NPT in lega di alluminio esente rame – serie FR

www.sitecna.eu

- Suitable for automation equipment to onshore, offshore, pharmaceutical, medical and food applications
- Full material traceability
- Excellent stability and repeatability
- Accurate adjustment and high flow capacity
- ATEX 2014/34/UE II 2G Ex h IIC T6/T5 Gb X  
II 2D Ex h IIIC T85°C/T100°C Db X
- & approved / IP66 / SIL - IEC 61508



- Adatto per automazione in applicazioni marine, petrolchimiche, farmaceutiche, medicali e alimentari
- Completa rintracciabilità dei materiali
- Eccellente stabilità e ripetibilità
- Precise regolazioni ed elevate portate
- ATEX 2014/34/UE II 2G Ex h IIC T6/T5 Gb X  
II 2D Ex h IIIC T85°C/T100°C Db X
- Approvato ed / IP66 / SIL - IEC 61508

Media / Fluido	Compressed air, inert gases, sweet and sour gases
Port thread / Connessioni	1/4"NPT
Gauge Connection Connessione manometro	1/8"NPT (1/4"NPT option)
Max inlet pressure Pressione massima di ingresso	25bar (16bar automatic drain version)
Filtering element Elemento filtrante	3, 5, 25, 40 micron in st. st. 316
Drain valve / Scarico condensa	Manual or automatic
Flow Rate (@10 bar inlet, 6bar regulated, delta P=1bar)/ Portata	940dm <sup>3</sup> /min Cv=0.9
Working Temperature Temperatura di esercizio	-20°C up to 80°C (NBR); -25°C up to 90°C (FKM); -40°C up to 80°C (EPDM); -60° up tp 90°C (FVMQ)*
Regulated pressure Pressioni regolate	0.2/2, 0.2/4, 0.4/8, 0.4/10, 0.4/12bar

Air supply must be dry enough to avoid ice formation at temperatures below +2°C (+35°F).

\*Special version in HNBR (WT -60°C + 90°C)

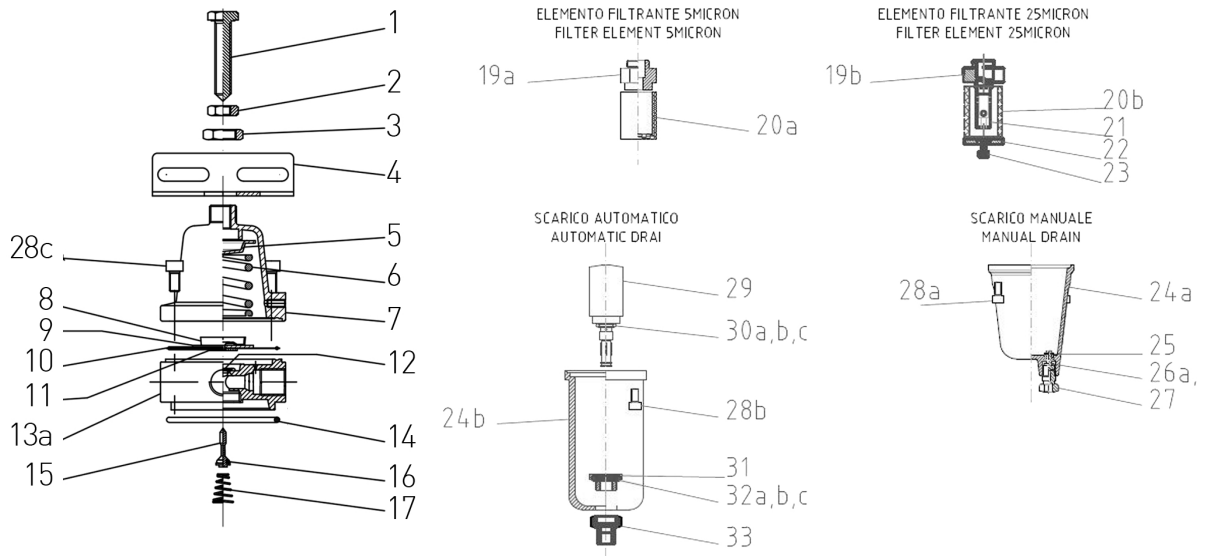
It provides excellent regulation and filtering for a wide range of applications. Rugged and corrosion-resistant – made of aluminum alloy and SS AISI304/316. Compact small package size / Permette un'accurata regolazione e filtraggio per una vasta gamma di applicazioni. Robusto e resistente alla corrosione – Costruito lega di alluminio ed AISI316 - Dimensioni di ingombro ridotte

BUILDING MATERIALS	Materiali costruttivi
Body, bonnet, bowl in tropicalized copper free aluminum alloy	Corpo, coperchio, tazza in lega di alluminio esente rame tropicalizzata
Internals, bracket, lock and panel nuts, fixing screws in stainless steel	Vite di regolazione, staffa, dadi di bloccaggio e pannello, viti di fissaggio in acciaio inossidabile
3, 5, 25 & 40 micron filtering element in AISI316 SS	Elementi filtranti da 3, 5, 25 e 40micron in AISI316
Diaphragm & seals in elastomer	Diaframma e guarnizioni in elastomero

BT-FR04AL/C23A

## Product exploded view

Esploso del prodotto



Pos.	Q.ty	Description	Descrizione
1	1	ADJUSTMENT SCREW	VITE DI REGOLAZIONE
2	1	LOCK ADJUSTMENT NUT	DADO FISSAGGIO REGOLAZIONE
3	1	BRACKET NUT	VITE DI REGOLAZIONE
4a	1	BRACKET FR/R	DADO FISSAGGIO REGOLAZIONE
5	1	UPPER SPRING SEAT	SEDE SUPERIORE MOLLA
6	1	ADJUSTMENT SPRING	MOLLA DI REGOLAZIONE
7	1	BONNET	TAZZA SUPERIORE
8	1	LOWER SPRING GUIDE	GUIDA INFERIORE MOLLA
9	1	LOWER SPRING RESET	RESET INFERIORE MOLLA
10	1	DIAPHRAGM	DIAFRAMMA
11	1	VALVE SEAT	SEDE VALVOLA
12	1	PTFE RING	ANELLO PTFE
13a	1	FR BODY	CORPO
14	1	O-RING	O-RING
15	1	VALVE STEM	CORPO VALVOLA
16	1	O-RING VALVE STEM	O-RING CORPO VALVOLA
17	1	VALVE SPRING	MOLLA VALVOLA
19a	1	FILTER ELEMENT SUPPORT 5mic	SUPPORTO ELE. FILTRANTE 5 MIC
19b	1	FILTER ELEMENT SUPPORT 25mic	SUPPORTO ELE. FILTRANTE 25 MIC
20a	1	FILTER ELEMENT 5 MICRON	ELEMENTO FILTRANTE 5 MIC
20b	1	FILTER ELEMENT 25 MICRON	ELEMENTO FILTRANTE 25 MIC
21	1	FILTER ELEMENT SUPPORT	SUPPORTO ELE. FILTRANTE
22	1	FILTER ELEMENT CASEBACK	BASE ELEMENTO FILTRANTE
23	1	SCREW M4X6	VITI M4X6
24a	1	MANUAL DRAIN BOLW	TAZZA SCARICO MANUALE
24b	1	AUTOMATIC DRAIN BOLW	TAZZA SCARICO AUTOMATICO
25	1	BENZIN	ANELLO BENZIN
26	1	O-RING DRAIN	O-RING DRAIN
27	1	MANUAL DRAIN	SCARICO MANUALE
28a	4	SCREW MAN. DRAIN M5X10	VITI SCARICO MANUALE M5X10
28b	4	SCREW AUTO DRAIN M5X16	VITI SCARICO AUTO M5X16
28c	4	BONNET SCREW M5X10	VITI TAZZA SUPERIORE M5X10
29	1	AUTOMATIC DRAIN	SCARICO AUTOMATICO
30	1	O-RING AUTO DRAIN	O-RING SCARICO AUTO
31	1	AUTOMATIC DRAIN SEAT	SEDE SCARICO AUTOMATICO
32	1	O-RING AUTOM. DRAIN	O-RING SCARICO AUTO
33	1	AUTOMATIC DRAIN SEAT	SEDE SCARICO AUTOMATICO

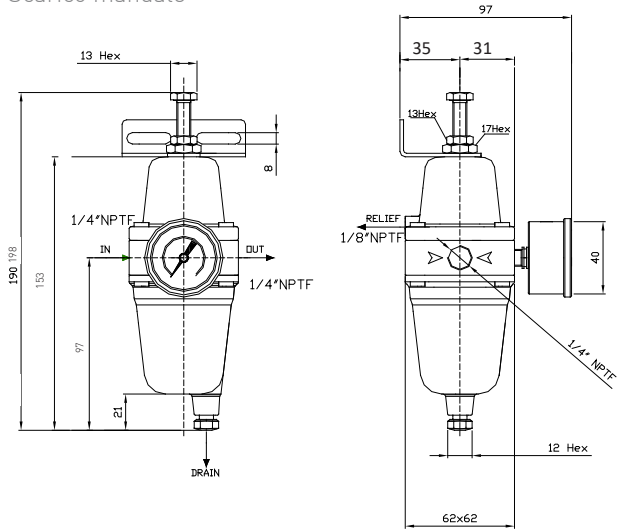
www.sitecna.eu

### Overall dimension

Dimensioni di ingombro

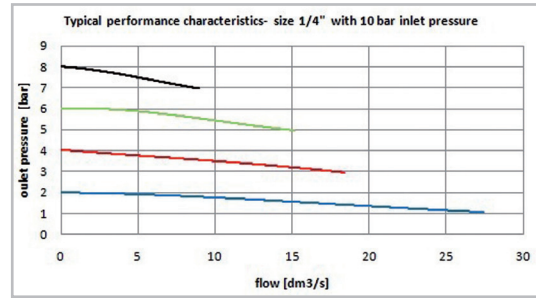
#### Manual drain

Scarico manuale



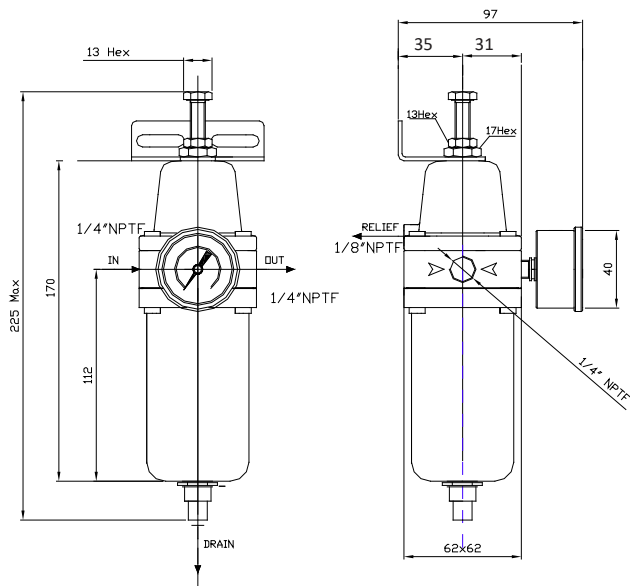
### Flow characteristics

Caratteristiche di portata



#### Automatic drain

Scarico automatico



#### Note for automatic drain:

- max inlet pressure 16bar
- not recommended for T<2°C

#### Nota per scarico automatico:

- massima pressione di utilizzo 16bar
- non raccomandato per T<2°C

### Accessories and repair kit

Accessori e ricambi

Maintenance kit / Kit manutenzione [1/4"]	Items K-FR04-*.**-AL-***
Pressure gauge DN40mm, SS case, Bar+psi+kpa range / Manometro DN40mm, cassa inox, scala Bar+psi+kpa	0-2bar MBSNP4S2PN3S 0-4bar MBSNP4S2PN05 0-10bar MBSNP4S2PN07
Bracket and lock nut / Staffa e Dado	SQ-FR04
Anti-tamper kit / Kit anti-manomissione	KTAM04-08

\* Refers to filter element option: 1→5 micron; 2→25 micron; 3→40 micron; 5→3 micron

\*\* Refers to relieving options: 0→Relieving 5→Non Relieving


\*\*\* Refers to seals type: FK→FKM NB→NBR LT→EPDM FL→FVMQ HN→HNBR


BT-FR04ALC23C

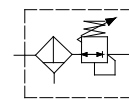


## Copper free aluminum alloy 1/4"NPT high flow filter regulator – FRH serie

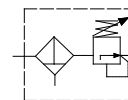
Filtro Regolatore ad alta portata da 1/4"NPT in lega di alluminio esente rame – serie FR

- Suitable for automation equipment to onshore, offshore, pharmaceutical, medical and food applications
- Full material traceability
- Excellent stability and repeatability
- Accurate adjustment and high flow capacity
- ATEX 2014/34/UE  II 2G Ex h IIC T6/T5 Gb X  
II 2D Ex h IIIC T85°C/T100°C DbX

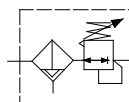
- Adatto per automazione in applicazioni marine, petrolchimiche, farmaceutiche, medicali e alimentari
- Completa rintracciabilità dei materiali
- Eccellente stabilità e ripetibilità
- Precise regolazioni ed elevate portate
- ATEX 2014/34/UE  II 2G Ex h IIC T6/T5 Gb X  
II 2D Ex h IIIC T85°C/T100°C Db X



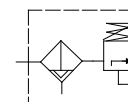
Manual Drain Relieving



Manual Drain Non Relieving



Automatic Drain Relieving



Automatic Drain Non Relieving

Media / Fluido	Compressed air, inert gases, sweet and sour gases
Port thread / Connessioni	1/4"NPT
Gauge Connection Connessione manometro	1/8"NPT (1/4"NPT option)
Max inlet pressure Pressione massima di ingresso	25bar (16bar automatic drain version)
Filtering element Elemento filtrante	3, 5, 25, 40 micron in st. st. 316
Drain valve / Scarico condensa	Manual or automatic
Flow Rate (@10 bar inlet, 6bar regulated, delta P=1bar)/ Portata	1200dm <sup>3</sup> /min Cv=1.2
Working Temperature Temperatura di esercizio	-20°C up to 80°C (NBR); -25°C up to 90°C (FKM); -40°C up to 80°C (EPDM); -60° up tp 90°C (FVMQ)*
Regulated pressure Pressioni regolate	0.2/2, 0.2/4, 0.4/8, 0.4/10, 0.4/12bar

Air supply must be dry enough to avoid ice formation at temperatures below +2°C (+35°F).

\*Special version in HNBR (WT -60°C + 90°C)

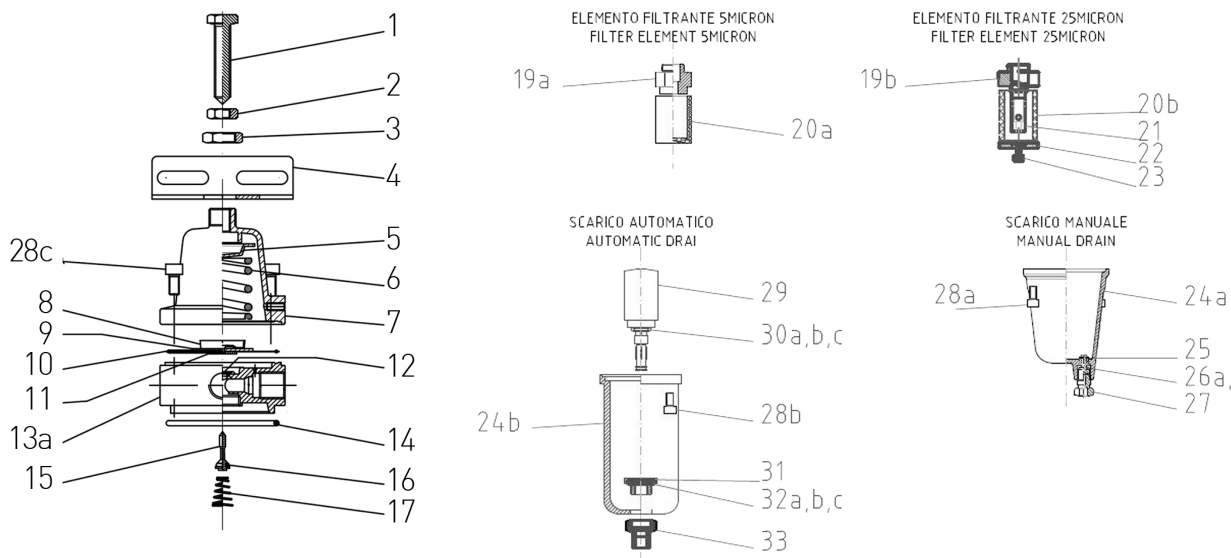
It provides excellent regulation and filtering for a wide range of applications. Rugged and corrosion-resistant – made of aluminum alloy and SS AISI304/316. Compact small package size / Permette un'accurata regolazione e filtraggio per una vasta gamma di applicazioni. Robusto e resistente alla corrosione – Costruito lega di alluminio ed AISI316 - Dimensioni di ingombro ridotte

BUILDING MATERIALS	Materiali costruttivi
Body, bonnet, bowl in tropicalized copper free aluminum alloy	Corpo, coperchio, tazza in lega di alluminio esente rame tropicalizzata
Internals, bracket, lock and panel nuts, fixing screws in stainless steel	Vite di regolazione, staffa, dadi di bloccaggio e pannello, viti di fissaggio in acciaio inossidabile
5, 25 & 40 micron filtering element in AISI316 SS	Elementi filtranti da 5, 25 e 40micron in AISI316
Diaphragm & seals in elastomer	Diaframma e guarnizioni in elastomero

Product exploded view

Esploso del prodotto

www.sitecna.eu



Pos.	Q.ty	Description	Descrizione
1	1	ADJUSTMENT SCREW	VITE DI REGOLAZIONE
2	1	LOCK ADJUSTMENT NUT	DADO FISSAGGIO REGOLAZIONE
3	1	BRACKET NUT	VITE DI REGOLAZIONE
4a	1	BRACKET FR/R	DADO FISSAGGIO REGOLAZIONE
5	1	UPPER SPRING SEAT	SEDE SUPERIORE MOLLA
6	1	ADJUSTMENT SPRING	MOLLA DI REGOLAZIONE
7	1	BONNET	TAZZA SUPERIORE
8	1	LOWER SPRING GUIDE	GUIDA INFERIORE MOLLA
9	1	LOWER SPRING RESET	RESET INFERIORE MOLLA
10	1	DIAPHRAGM	DIAFRAMMA
11	1	VALVE SEAT	SEDE VALVOLA
12	1	PTFE RING	ANELLO PTFE
13a	1	FR BODY	CORPO
14	1	O-RING	O-RING
15	1	VALVE STEM	CORPO VALVOLA
16	1	O-RING VALVE STEM	O-RING CORPO VALVOLA
17	1	VALVE SPRING	MOLLA VALVOLA
19a	1	FILTER ELEMENT SUPPORT 5mic	SUPPORTO ELE. FILTRANTE 5 MIC
19b	1	FILTER ELEMENT SUPPORT 25mic	SUPPORTO ELE. FILTRANTE 25 MIC
20a	1	FILTER ELEMENT 5 MICRON	ELEMENTO FILTRANTE 5 MIC
20b	1	FILTER ELEMENT 25 MICRON	ELEMENTO FILTRANTE 25 MIC
21	1	FILTER ELEMENT SUPPORT	SUPPORTO ELE. FILTRANTE
22	1	FILTER ELEMENT CASEBACK	BASE ELEMENTO FILTRANTE
23	1	SCREW M4X6	VITI M4X6
24a	1	MANUAL DRAIN BOLW	TAZZA SCARICO MANUALE
24b	1	AUTOMATIC DRAIN BOLW	TAZZA SCARICO AUTOMATICO
25	1	BENZIN	ANELLO BENZIN
26	1	O-RING DRAIN	O-RING DRAIN
27	1	MANUAL DRAIN	SCARICO MANUALE
28a	4	SCREW MAN. DRAIN M5X10	VITI SCARICO MANUALE M5X10
28b	4	SCREW AUTO DRAIN M5X16	VITI SCARICO AUTO M5X16
28c	4	BONNET SCREW M5X10	VITI TAZZA SUPERIORE M5X10
29	1	AUTOMATIC DRAIN	SCARICO AUTOMATICO
30	1	O-RING AUTO DRAIN	O-RING SCARICO AUTO
31	1	AUTOMATIC DRAIN SEAT	SEDE SCARICO AUTOMATICO
32	1	O-RING AUTOM. DRAIN	O-RING SCARICO AUTO
33	1	AUTOMATIC DRAIN SEAT	SEDE SCARICO AUTOMATICO

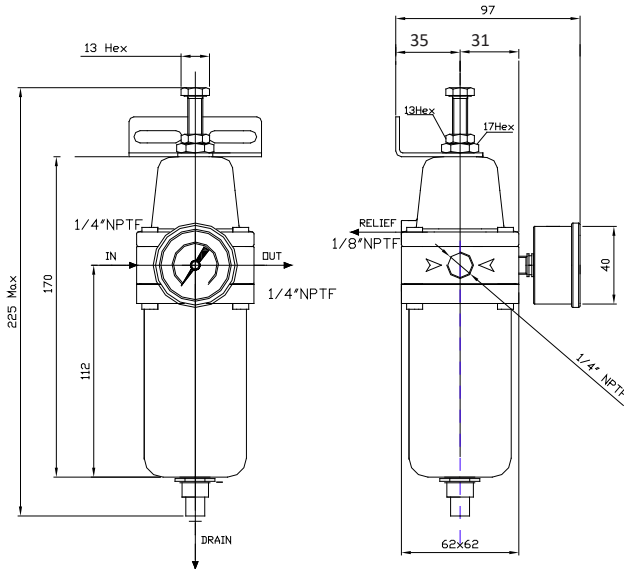
BT-FRH4AL/C23B

## Overall dimension

Dimensioni di ingombro

### Automatic drain

Scarico automatico

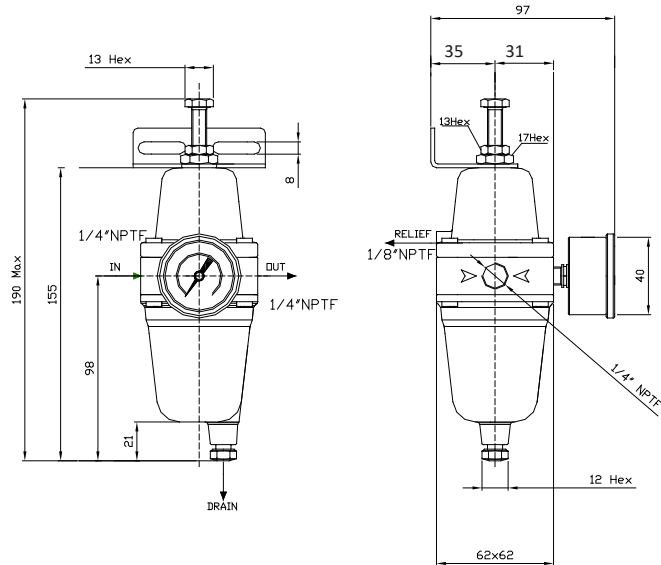


**Note for automatic drain:**  
 - max inlet pressure 16bar  
 - not recommended for  $T < 2^{\circ}\text{C}$

**Nota per scarico automatico:**  
 - massima pressione di utilizzo 16bar  
 - non raccomandato per  $T < 2^{\circ}\text{C}$

### Manual drain

Scarico manuale



## Accessories and repair kit

Accessori e ricambi

Maintenance kit / Kit manutenzione [1/4"]	Items K-FRH4-*_*-AL-***
Pressure gauge DN40mm, SS case, Bar+psi+kpa range / Manometro DN40mm, cassa inox, scala Bar+psi+kpa	0-2bar MBSNP4S2PN3S 0-4bar MBSNP4S2PN05 0-10bar MBSNP4S2PN07
Bracket / Staffa	SQ-FR04
Anti-tamper kit / Kit anti-manomissione	KTAM04-08

\* Refers to filter element option: 1→5 micron; 2→25 micron; 3→40 micron; 5→3 micron

\*\* Refers to relieving options: 0→Relieving 5→Non Relieving

\*\*\* Refers to seals type: FK→FKM NB→NBR LT→EPDM FL→FVMQ HN→HNBR

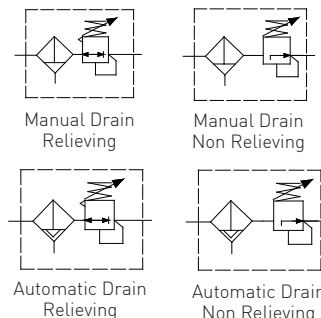
## Copper free aluminum alloy 3/8", 1/2"NPT high flow filter regulator – FR serie

Filtro Regolatore da 3/8" e 1/2"NPT in lega di alluminio esente rame – serie FR

www.sitecna.eu

- Suitable for automation equipment to onshore, offshore, pharmaceutical, medical and food applications
- Full material traceability
- Excellent stability and repeatability
- Accurate adjustment and high flow capacity
- ATEX 2014/34/UE II 2G E xh IIC T6/T5 Gb X  
II 2D Ex h IIIC T85°C/T100°C Db X
- & approved / IP66 / SIL - IEC 61508

- Adatto per automazione in applicazioni marine, petrolchimiche, farmaceutiche, medicali e alimentari
- Completa rintracciabilità dei materiali
- Eccellente stabilità e ripetibilità
- Precise regolazioni ed elevate portate
- ATEX 2014/34/UE II 2G Ex h IIC T6/T5 Gb X  
II 2D Ex h IIIC T85°C/T100°C Db X
- Approvato ed / IP66 / SIL - IEC 61508



Media / Fluido	Compressed air, inert gases, sweet and sour gases
Port thread / Conessioni	3/8"-1/2"NPT
Gauge Connection Connessione manometro	1/8"NPT (1/4"NPT option)
Filtering element Elemento filtrante	3, 5, 25, 40 micron in st. st. 316
Max inlet pressure / Pressione massima di ingresso	25bar (16bar automatic drain version)
Drain valve/ Scarico condensa	Manual or automatic
Flow rate (@10bar inlet, 6bar regulated, delta P=1bar)/ Portata	4500dm <sup>3</sup> /min Cv=4.5
Working temperature / Temperatura di esercizio	-20°C up to 80°C (NBR); -25°C up to 90°C (FKM); -40°C up to 80°C (EPDM); -60° up tp 90°C (FVMQ)*
Regulated pressure Pressioni regolate	0.2/2, 0.2/4, 0.4/8, 0.4/10, 0.4/12bar

Air supply must be dry enough to avoid ice formation at temperatures below +2°C (+35°F).

\*Special version in HNBR (WT -60°C + 90°C)

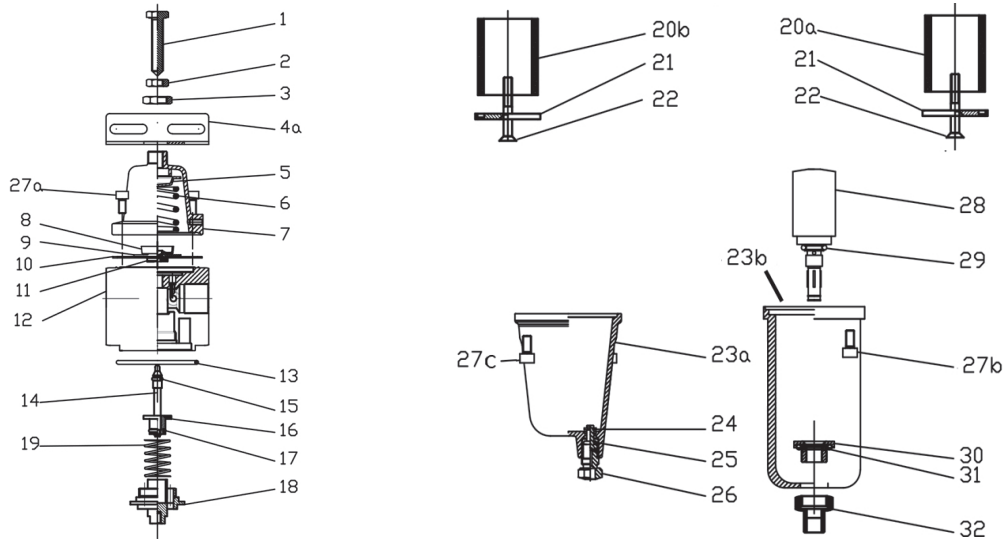
It provides excellent regulation and filtering for a wide range of applications. Rugged and corrosion-resistant – made of aluminum alloy and SS AISI304/316. Compact small package size / Permette un'accurata regolazione e filtraggio per una vasta gamma di applicazioni. Robusto e resistente alla corrosione – Costruito lega di alluminio ed AISI316 - Dimensioni di ingombro ridotte

BUILDING MATERIALS	Materiali costruttivi
Body, bonnet, bowl in tropicalized copper free aluminum alloy	Corpo, coperchio, tazza in lega di alluminio esente rame tropicalizzata
Internals, bracket, lock and panel nuts, fixing screws in stainless steel	Vite di regolazione, staffa, dadi di bloccaggio e pannello, viti di fissaggio in acciaio inossidabile
3, 5, 25 & 40 micron filtering element in AISI316 SS	Elementi filtranti da 3, 5, 25 e 40micron in AISI316
Diaphragm & seals in elastomer	Diaframma e guarnizioni in elastomero

BT-FR08AL/23A

## Product exploded view

Esploso del prodotto



Pos.	Q.ty	Description	Descrizione
1	1	ADJUSTMENT SCREW	VITE DI REGOLAZIONE
2	1	LOCK ADJUSTMENT NUT	DADO FISSAGGIO REGOLAZIONE
3	1	BRACKET NUT	DADO STAFFA
4a	1	BRACKET	STAFFA
5	1	UPPER SPRING SEAT	SEDE SUPERIORE MOLLA
6	1	ADJUSTMENT SPRING	MOLLA DI REGOLAZIONE
7	1	BONNET	TAZZA SUPERIORE
8	1	LOWER SPRING GUIDE	GUIDA INFERIORE MOLLA
9	1	LOWER SPRING RESET	RESET INFERIORE MOLLA
10	1	DIAPHRAGM	DIAFRAMMA
11	1	VALVE SEAT	SEDE VALVOLA
12	1	BODY	CORPO
13	1	O-RING	O-RING
14	1	VALVE STEM	CORPO VALVOLA
15	1	O'RING VALVE STEM	O'RING CORPO VALVOLA
16	1	VALVE	VALVOLA
17	1	O'RING VALVE	O'RING VALVOLA
18	1	FILTER ELEMENT SUPPORT	SUPPORTO ELE. FILTRANTE
19	1	VALVE SPRING	MOLLA VALVOLA
20a	1	FILTER ELEMENT 5 MICRON	ELEMENTO FILTRANTE 5 MIC
20b	1	FILTER ELEMENT 25 MICRON	ELEMENTO FILTRANTE 25 MIC
21	1	FILTER ELEMENT PLUG	FONDELLO ELEMNTE FILTRANTE
22	1	SCREW M5X30	VITE M5X30
23a	1	MANUAL DRAIN BOLW	TAZZA SCARICO MANUALE
23b	1	AUTOMATIC DRAIN BOLW	TAZZA SCARICO AUTOMATICO
24	1	BENZIN	ANELLO BENZIN
25	1	O'RING DRAIN	O'RING DRAIN
26	1	MANUAL DRAIN	SCARICO MANUALE
27a	4	SCREW M5X10	VITI M5X10
27b	4	SCREW AUTO DRAIN M5X16	VITI SCARICO AUTO M5X16
27c	4	SCREW MAN DRAIN M5X10	VITI SCARICO MANUALE M5X10
28	1	AUTOMATIC DRAIN	SCARICO AUTOMATICO
29	1	O'RING AUTO DRAIN	O'RING SCARICO AUTO
30	1	AUTOMATIC DRAIN SEAT	SEDE SCARICO AUTOMATICO
31	1	O'RING AUTO DRAIN	O'RING SCARICO AUTO
32	1	AUTOMATIC DRAIN SEAT	SEDE SCARICO AUTOMATICO

### Overall dimension

Dimensioni di ingombro

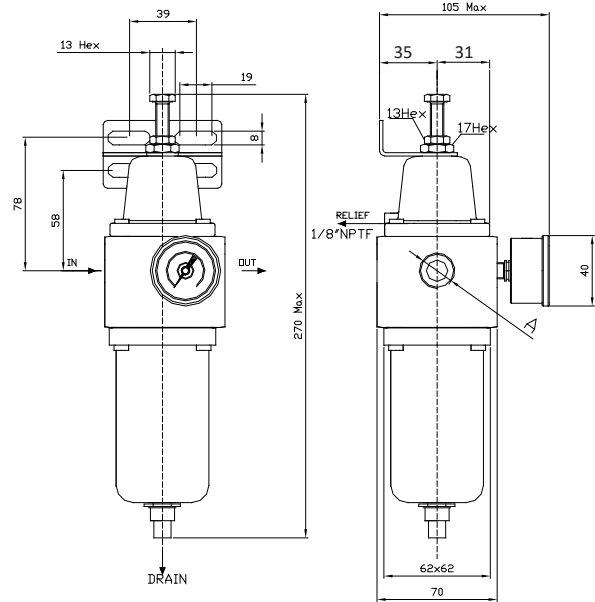
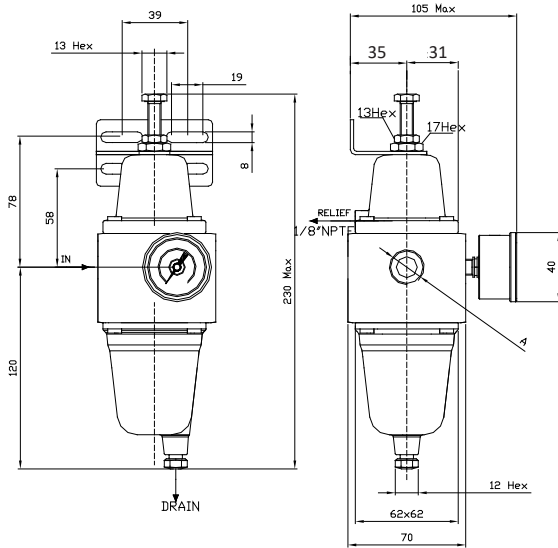
FR06 A = 3/8"  
FR08 A = 1/2"

#### Manual drain

Scarico manuale

#### Automatic drain

Scarico automatico

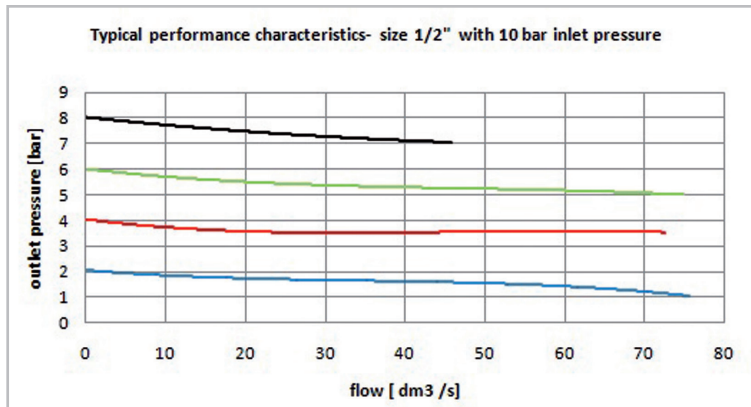


### Flow characteristics

Caratteristiche di portata

**Note for automatic drain:**  
- max inlet pressure 16bar  
- not recommended for T<2°C

**Nota per scarico automatico:**  
- massima pressione di utilizzo 16bar  
- non raccomandato per T<2°C



### Accessories and repair kit

Accessori e ricambi

Maintenance kit / Kit manutenzione	Items K-FR08-***-AL-*** [1/2"]
Pressure gauge DN40mm, SS case, Bar+psi+kpa range / Manometro DN40mm, cassa inox, scala Bar+psi+kpa	0-2bar MBSNP4S2PN3S 0-4bar MBSNP4S2PN05 0-10bar MBSNP4S2PN07
Bracket /Staffa	SQ-FR04
<b>Anti-tamper kit / Kit anti-manomissione</b>	<b>KTAM04-08</b>





\* Refers to filter element option: 1→5 micron; 2→25 micron; 3→40 micron; 5→3 micron  
\*\* Refers to relieving options: 0→Relieving 5→Non Relieving  
\*\*\* Refers to seals type: FK→FKM NB→NBR LT→EPDM FL→FVMQ HN→HNBR





www.sitecna.eu

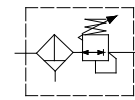
BT-FR08AL/C23C

## Copper free aluminum alloy 3/4"-1"NPT filter regulator – FR serie

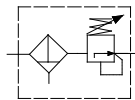
Filtro regolatore da 3/4"- 1"NPT in lega di alluminio esente rame- serie FR

- Suitable for automation equipment to onshore, offshore, pharmaceutical, medical and food applications
- Full material traceability
- Excellent stability and repeatability
- Accurate adjustment and high flow capacity
- ATEX 2014/34/UE  II 2G Ex h IIC T6/T5 Gb X  
II 2D Ex h IIIC T85°C/T100°C Db X
-  &  approved / IP66 / SIL - IEC 61508 

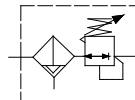
- Adatto per automazione in applicazioni marine, petrolchimiche, farmaceutiche, medicali e alimentari
- Completa rintracciabilità dei materiali
- Eccellente stabilità e ripetibilità
- Precise regolazioni ed elevate portate
- ATEX 2014/34/UE  II 2G Ex h IIC T6/T5 Gb X  
II 2D Ex h IIIC T85°C/T100°C Db X
- Approvato  ed  / IP66 / SIL - IEC 61508 



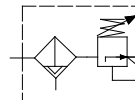
Manual Drain Relieving



Manual Drain Non Relieving



Automatic Drain Relieving



Automatic Drain Non Relieving

Media / Fluido	Compressed air, inert gases, sweet and sour gases
Port thread / Connessioni	3/4"-1" NPT
Gauge Connection Connessione manometro	1/4"NPT (1/8"NPT option)
Filtering element Elemento filtrante	5, 25, 40 micron in st. st. 316
Max inlet pressure / Pressione massima di ingresso	25bar (16bar automatic drain version)
Drain valve/ Scarico condensa	Manual or automatic
Flow rate (@10bar inlet, 6bar regulated, delta P=1bar) / Portata	11500dm <sup>3</sup> /min Cv=11.5
Working temperature / Temperatura di esercizio	-20°C up to 80°C (NBR); -25°C up to 90°C (FKM); -40°C up to 80°C (EPDM); -60° up to 90°C (FVMQ)*
Regulated pressure Pressioni regolate	0.2/2, 0.2/4, 0.4/8, 0.4/10, 0.4/12bar

Air supply must be dry enough to avoid ice formation at temperatures below +2°C (+35°F).

\*Special version in HNBR (WT -60°C + 90°C)

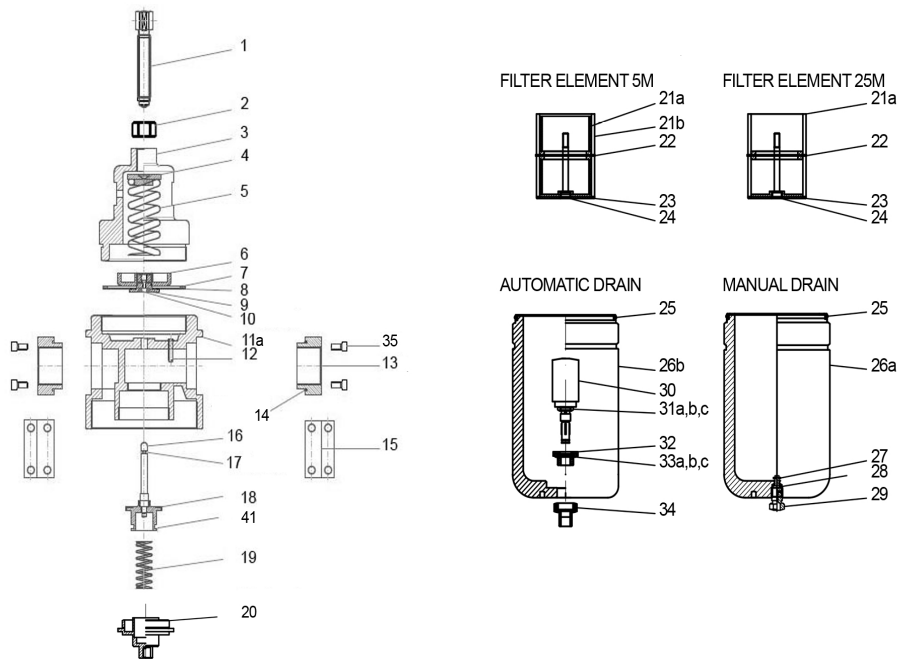
**It provides excellent regulation and filtering for a wide range of applications. Rugged and corrosion-resistant – made of aluminum alloy and SS AISI304/316 /** Permette un'accurata regolazione e filtraggio per una vasta gamma di applicazioni. Robusto e resistente alla corrosione – Costruito lega di alluminio ed AISI316

BUILDING MATERIALS	Materiali costruttivi
Body, bonnet, bowl in tropicalized copper free aluminum alloy	Corpo, coperchio, tazza in lega di alluminio esente rame tropicalizzata
Internals, bracket, lock and panel nuts, fixing screws in stainless steel	Vite di regolazione, staffa, dadi di bloccaggio e pannello, viti di fissaggio in acciaio inossidabile
5, 25 & 40 micron filtering element in AISI316 SS	Elementi filtranti da 5, 25 e 40micron in AISI316
Diaphragm & seals in elastomer	Diaframma e guarnizioni in elastomero

**Product exploded view**

Esploso del prodotto

www.sitecna.eu



Pos.	Q.ty	Description	Descrizione
1	1	ADJUSTMENT SCREW	VITE DI REGOLAZIONE
2	1	LOCK ADJUSTMENT NUT	DADO FISSAGGIO REGOLAZIONE
3	1	BONNET	TAZZA SUPERIORE
4	1	UPPER SPRING SEAT	SEDE SUPERIORE MOLLA
5	1	ADJUSTMENT SPRING	MOLLA DI REGOLAZIONE
6	1	LOWER SPRING RESET	RESET INFERIORE MOLLA
7	1	SLIP RING	SLIP RING
8	1	DIAPHRAGM	DIAFRAMMA
9	1	VALVE SEAT	SEDE VALVOLA
10	1	O'RING (ONLY FOR RELIEVING)	O'RING (SOLO PER RELIEVING)
11a	1	BODY	CORPO
12	1	SIPHON	SIFONE
13	2	CONNECTION	TERMINALI FILETTATI
14	2	O'RING	O'RING
15	2	BRACKET	STAFFA
16	1	VALVE STEM	CORPO VALVOLA
17	1	O'RING	O'RING
18	1	VALVE	VALVOLA
19	1	VALVE SPRING	MOLLA VALVOLA
20	1	FILTER ELEMENT SUPPORT	SUPPORTO ELE. FILTRANTE
21a	2	FILTER ELEMENT 5 MICRON	ELEMENTO FILTRANTE 5 MIC
21b	2	FILTER ELEMENT 25 MICRON	ELEMENTO FILTRANTE 25 MIC
22	1	FILTER ELEMENT RING	ANELLO ELEMENTO FILTRANTE
23	1	FILTER ELEMENT PLUG	FONDELLO ELEMENTO FILTRANTE
24	1	FILTER ELEMENT SCREW	VITE ELEMENTO FILTRANTE
25	1	O'RING BOWL	O'RING TAZZA
26a	1	MANUAL DRAIN BOWL	TAZZA SCARICO MANUALE
26b	1	AUTOMATIC DRAIN BOWL	TAZZA SCARICO AUTOMATICO
27	1	BENZIN	ANELLO BENZIN
28	1	O'RING DRAIN	O'RING DRAIN
29	1	MANUAL DRAIN	SCARICO MANUALE
30	1	AUTOMATIC DRAIN	SCARICO AUTOMATICO
31	1	O'RING AUTO DRAIN	O'RING SCARICO AUTO
32	1	AUTOMATIC DRAIN SEAT	SEDE SCARICO AUTOMATICO
33	1	O'RING AUTO DRAIN	O'RING SCARICO AUTO
34	1	AUTOMATIC DRAIN SEAT	SEDE SCARICO AUTOMATICO
35	8	SCREW M5x16 DIN 912 A2	VITI M5X16
41	1	O'RING VALVE	O'RING

BT-FR16AL/C23B

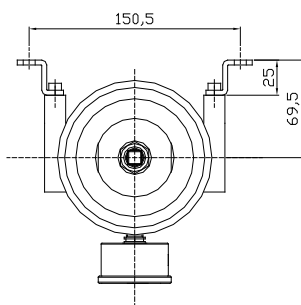
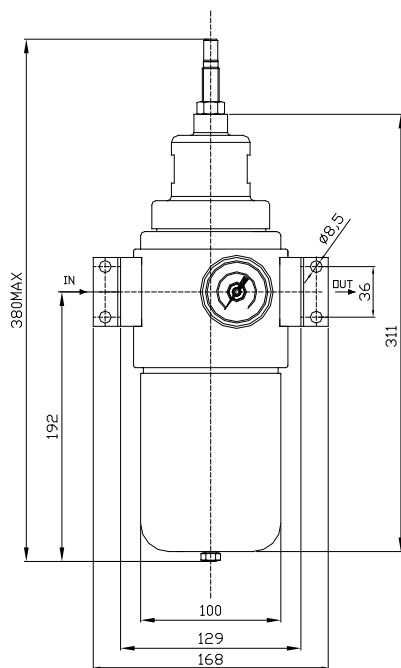


## Overall dimension

Dimensioni di ingombro

### Manual drain

Scarico manuale

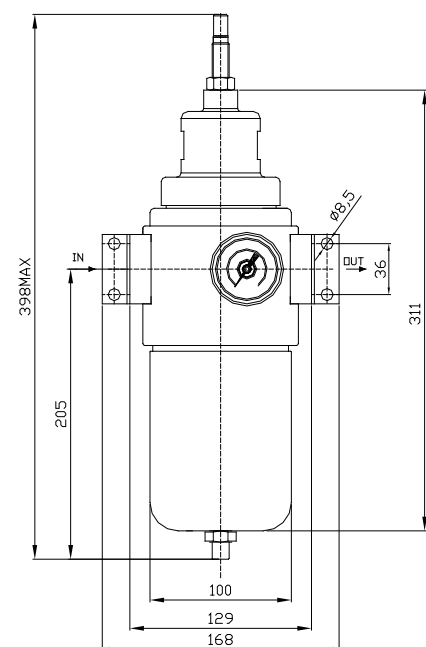


FR12 A = 3/4"

FR16 A = 1"

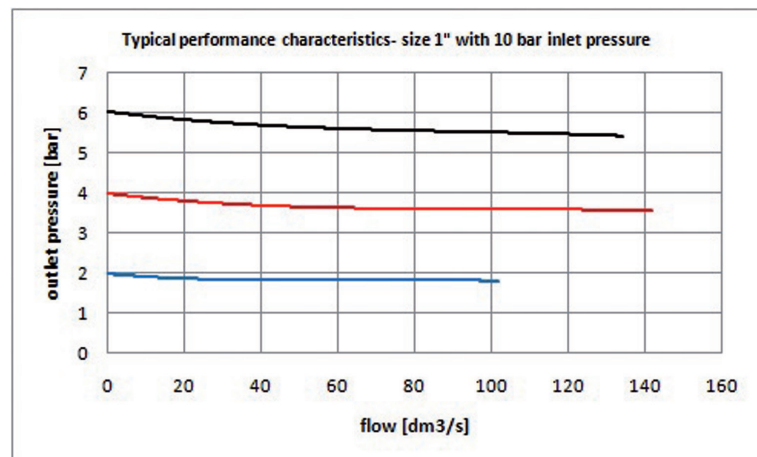
### Automatic drain

Scarico automatico



Note for automatic drain / Nota per scarico automatico:

- max inlet pressure 16bar / massima pressione di utilizzo 16bar
- not recommended for  $T < 2^{\circ}\text{C}$  / non raccomandato per  $T < 2^{\circ}\text{C}$



## Accessories and repair kit

Accessori e ricambi

Maintenance kit / Kit manutenzione	Items K-FR16-**-**-AL-***
Pressure gauge DN40mm, SS case, Bar+psi+kpa range / Manometro DN40mm, cassa inox, scala Bar+psi+kpa	0-2bar MBSNP4S2PN3S 0-4bar MBSNP4S2PN05 0-10bar MBSNP4S2PN07
Bracket / Staffa	SQ-FR16
<b>Anti-tamper kit / Kit anti-manomissione</b>	<b>KTAM04-08</b>

\* Refers to filter element option: 1→5 micron; 2→25 micron; 3→40 micron; 5→3 micron

\*\* Refers to relieving options: 0→Relieving 5→Non Relieving

\*\*\* Refers to seals type: FK→FKM NB→NBR LT→EPDM FL→FVMQ HN→HNBR

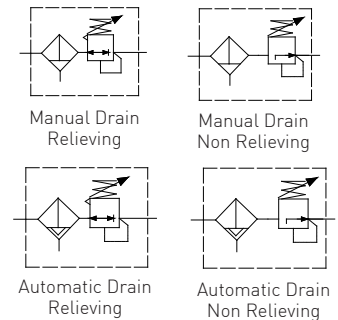
## AISI316L 1/4"NPT instrument filter regulator – FR serie

Filtro regolatore da 1/4"NPT in AISI316L – serie FR

www.sitecna.eu

- Suitable for automation equipment to onshore, offshore, pharmaceutical, medical and food applications
- Full material traceability
- Excellent stability and repeatability
- Accurate adjustment and high flow capacity
- ATEX 2014/34/UE II 2G Ex h IIC T6/T5 Gb X  
II 2D Ex h IIIC T85°C/T100°C Db X
- & approved / IP66 / SIL - IEC 61508

- Adatto per automazione in applicazioni marine petrolchimiche, farmaceutiche, medicali e alimentari
- Completa rintracciabilità dei materiali
- Eccellente stabilità e ripetibilità
- Precise regolazioni ed elevate portate
- ATEX 2014/34/UE II 2G Ex h IIC T6/T5 Gb X  
II 2D Ex h IIIC T85°C/T100°C Db X
- Approvato ed / IP66 / SIL - IEC 61508



Media / Fluido	Compressed air, inert gases, sweet and sour gases
Port thread / Conessioni	1/4"NPT
Gauge Connection Connessione manometro	1/8"NPT (1/4"NPT option)
Filtering element Elemento filtrante	3, 5, 25, 40 micron in st. st. 316
Max inlet pressure Pressione massima di ingresso	30bar (16bar automatic drain version)
Drain valve / Scarico condensa	Manual or automatic
Flow Rate (@10bar inlet, 6bar regulated, delta P=1bar)/ Portata	940dm <sup>3</sup> /min Cv=0.9
Working Temperature Temperatura di esercizio	-20°C up to 80°C (NBR); -25°C up to 90°C (FKM); -40°C up to 80°C (EPDM); -60° up tp 90°C (FVMQ)*
Regulated pressure Pressioni regolate	0.2/2, 0.2/4, 0.4/8, 0.4/10, 0.4/12bar

Air supply must be dry enough to avoid ice formation at temperatures below +2°C (+35°F).

\*Special version in HNBR (WT -60°C + 90°C)

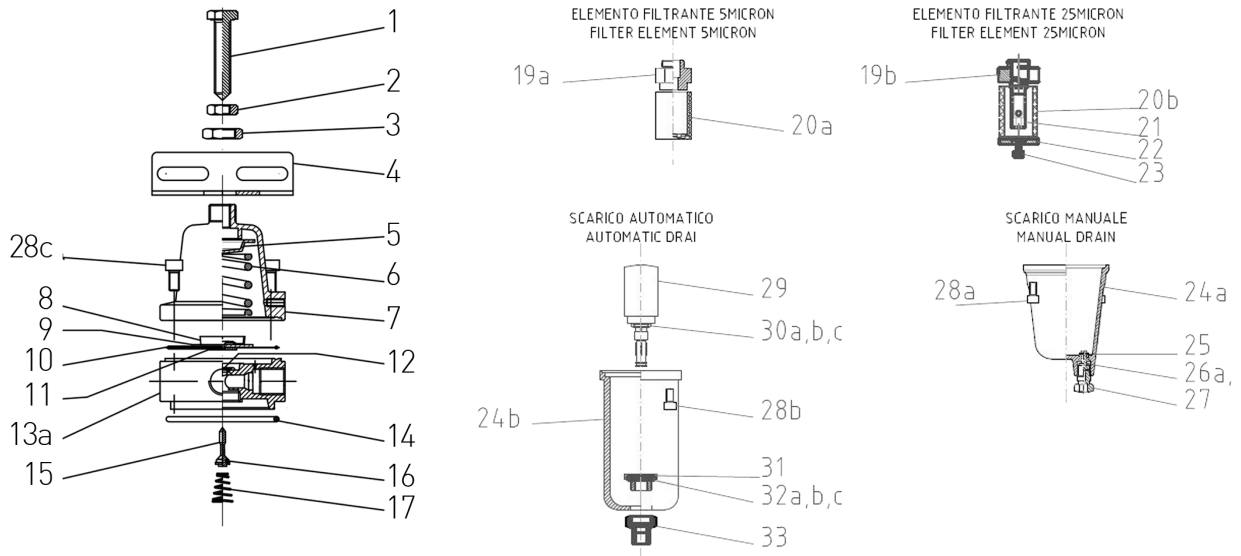
**It provides excellent regulation and filtering for a wide range of applications. Rugged and corrosion-resistant – made of 316L stainless steel -Compact small package size – light weight**  
 Permette un'accurata regolazione e filtraggio per una vasta gamma di applicazioni. Robusto e resistente alla corrosione – Costruito AISI316L - Dimensioni di ingombro ridotte – Leggero

BUILDING MATERIALS	Materiali costruttivi
Body, bonnet, bowl in AISI 316/316L stainless steel	Corpo, coperchio, tazza in acciaio inossidabile AISI316/316L
Internals, bracket, lock and panel nuts, fixing screws in stainless steel	Vite di regolazione, staffa, dadi di bloccaggio e pannello, viti di fissaggio in acciaio inossidabile
3, 5, 25 & 40micron filtering element in AISI316 SS	Elementi filtranti da 3, 5, 25 e 40micron in AISI316
Diaphragm & seals in elastomer	Diaframma e guarnizioni in elastomero

BT-FR04SS/C23A

## Product exploded view

Esploso del prodotto



Pos.	Q.ty	Description	Descrizione
1	1	ADJUSTMENT SCREW	VITE DI REGOLAZIONE
2	1	LOCK ADJUSTMENT NUT	DADO FISSAGGIO REGOLAZIONE
3	1	BRACKET NUT	VITE DI REGOLAZIONE
4a	1	BRACKET FR/R	DADO FISSAGGIO REGOLAZIONE
5	1	UPPER SPRING SEAT	SEDE SUPERIORE MOLLA
6	1	ADJUSTMENT SPRING	MOLLA DI REGOLAZIONE
7	1	BONNET	TAZZA SUPERIORE
8	1	LOWER SPRING GUIDE	GUIDA INFERIORE MOLLA
9	1	LOWER SPRING RESET	RESET INFERIORE MOLLA
10	1	DIAPHRAGM	DIAFRAMMA
11	1	VALVE SEAT	SEDE VALVOLA
12	1	PTFE RING	ANELLO PTFE
13a	1	FR BODY	CORPO
14	1	O-RING	O-RING
15	1	VALVE STEM	CORPO VALVOLA
16	1	O-RING VALVE STEM	O-RING CORPO VALVOLA
17	1	VALVE SPRING	MOLLA VALVOLA
19a	1	FILTER ELEMENT SUPPORT 5mic	SUPPORTO ELE. FILTRANTE 5 MIC
19b	1	FILTER ELEMENT SUPPORT 25mic	SUPPORTO ELE. FILTRANTE 25 MIC
20a	1	FILTER ELEMENT 5 MICRON	ELEMENTO FILTRANTE 5 MIC
20b	1	FILTER ELEMENT 25 MICRON	ELEMENTO FILTRANTE 25 MIC
21	1	FILTER ELEMENT SUPPORT	SUPPORTO ELE. FILTRANTE
22	1	FILTER ELEMENT CASEBACK	BASE ELEMENTO FILTRANTE
23	1	SCREW M4X6	VITI M4X6
24a	1	MANUAL DRAIN BOLW	TAZZA SCARICO MANUALE
24b	1	AUTOMATIC DRAIN BOLW	TAZZA SCARICO AUTOMATICO
25	1	BENZIN	ANELLO BENZIN
26	1	O-RING DRAIN	O-RING DRAIN
27	1	MANUAL DRAIN	SCARICO MANUALE
28a	4	SCREW MAN. DRAIN M5X10	VITI SCARICO MANUALE M5X10
28b	4	SCREW AUTO DRAIN M5X16	VITI SCARICO AUTO M5X16
28c	4	BONNET SCREW M5X10	VITI TAZZA SUPERIORE M5X10
29	1	AUTOMATIC DRAIN	SCARICO AUTOMATICO
30	1	O-RING AUTO DRAIN	O-RING SCARICO AUTO
31	1	AUTOMATIC DRAIN SEAT	SEDE SCARICO AUTOMATICO
32	1	O-RING AUTOM. DRAIN	O-RING SCARICO AUTO
33	1	AUTOMATIC DRAIN SEAT	SEDE SCARICO AUTOMATICO

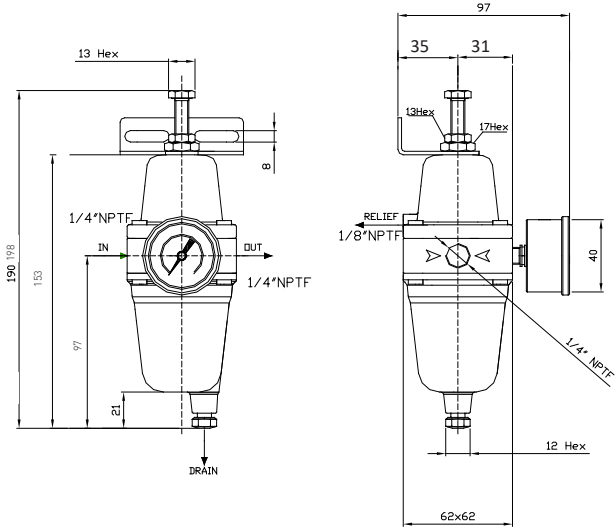
www.sitecna.eu

### Overall dimension

Dimensioni di ingombro

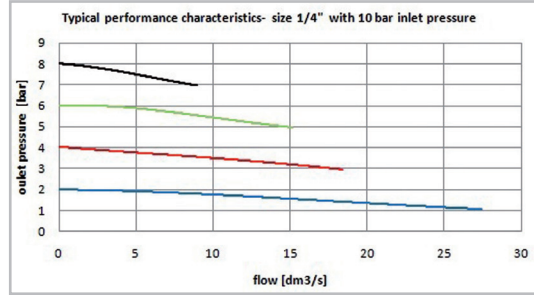
#### Manual drain

Scarico manuale



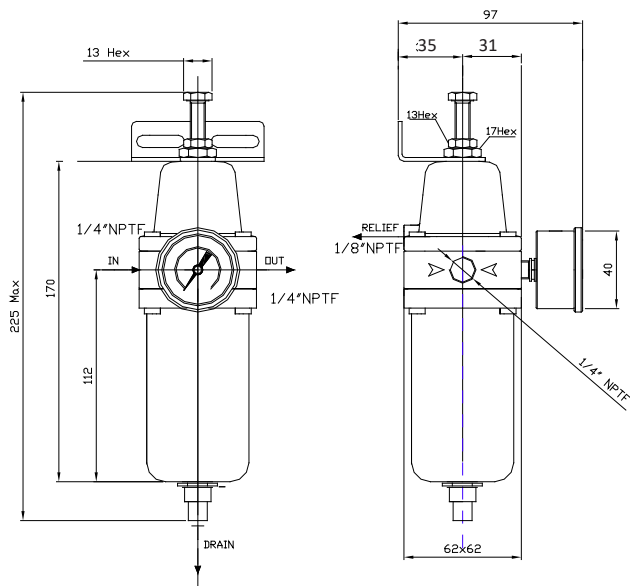
### Flow characteristics

Caratteristiche di portata



#### Automatic drain

Scarico automatico



#### Note for automatic drain:

- max inlet pressure 16bar
- not recommended for T<2°C

#### Nota per scarico automatico:

- massima pressione di utilizzo 16bar
- non raccomandato per T<2°C

### Accessories and repair kit

Accessori e ricambi

Maintenance kit / Kit manutenzione	Items K-FR04-*-*_*-SS-***
Pressure gauge DN40mm, all SS, Bar+psi+kpa range / Manometro DN40mm, tutto inox, scala Bar+psi+kpa	0-2,5 bar MBS6P4S2PN04 0-4bar MBS6P4S2PN05 0-10bar MBS6P4S2PN07
Bracket / Staffa	SQ-FR04
Anti-tamper kit / Kit anti-manomissione	KTAM04-08

\* Refers to filter element option: 1→5 micron; 2→25 micron; 3→40 micron; 5→3 micron


\*\* Refers to relieving options: 0→Relieving 5→Non Relieving


\*\*\* Refers to seals type: FK→FKM NB→NBR LT→EPDM FL→FVMQ HN→HNBR

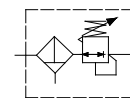
BT-FR04SSC23C

## AISI316L 1/4" NPT high flow filter regulator – FRH serie

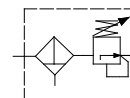
Filtro regolatore ad alta portata da 1/4" NPT in AISI316L – serie FR

- Suitable for automation equipment to onshore, offshore, pharmaceutical, medical and food applications
- Full material traceability
- Excellent stability and repeatability
- Accurate adjustment and high flow capacity
- ATEX 2014/34/UE  II 2G Ex h IIC T6/T5 Gb X  
II 2D Ex h IIIC T85°C/T100°C Db X

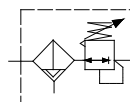
- Adatto per automazione in applicazioni marine, petrolchimiche, farmaceutiche, medicali e alimentari
- Completa rintracciabilità dei materiali
- Eccellente stabilità e ripetibilità
- Precise regolazioni ed elevate portate
- ATEX 2014/34/UE  II 2G Ex h IIC T6/T5 Gb X  
II 2D Ex h IIIC T85°C/T100°C Db X



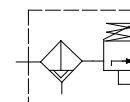
Manual Drain Relieving



Manual Drain Non Relieving



Automatic Drain Relieving



Automatic Drain Non Relieving

Media / Fluido	Compressed air, inert gases, sweet and sour gases
Port thread / Connessioni	1/4" NPT
Gauge Connection Connessione manometro	1/8" NPT (1/4" NPT option)
Filtering element Elemento filtrante	3, 5, 25, 40 micron in st. st. 316
Max inlet pressure Pressione massima di ingresso	30bar (16bar automatic drain version)
Drain valve / Scarico condensa	Manual or automatic
Flow Rate (@10bar inlet, 6bar regulated, delta P=1bar)/ Portata	1200dm <sup>3</sup> /min Cv=1.2
Working Temperature Temperatura di esercizio	-20°C up to 80°C (NBR); -25°C up to 90°C (FKM); -40°C up to 80°C (EPDM); -60° up tp 90°C (FVMQ)*
Regulated pressure Pressioni regolate	0.2/2, 0.2/4, 0.4/8, 0.4/10, 0.4/12bar

Air supply must be dry enough to avoid ice formation at temperatures below +2°C (+35°F).

\*Special version in HNBR (WT -60°C + 90°C)

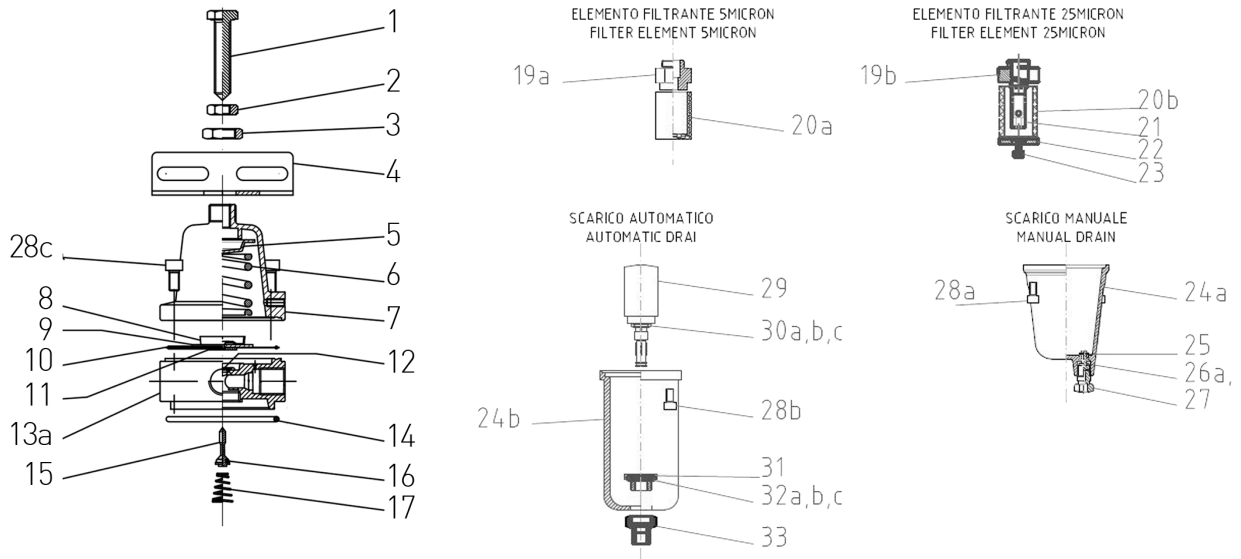
It provides excellent regulation and filtering for a wide range of applications. Rugged and corrosion-resistant – made of 316L stainless steel -Compact small package size – light weight  
Permette un'accurata regolazione e filtraggio per una vasta gamma di applicazioni. Robusto e resistente alla corrosione – Costruito AISI316L - Dimensioni di ingombro ridotte – Leggero

BUILDING MATERIALS	Materiali costruttivi
Body, bonnet, bowl in AISI 316/316L stainless steel	Corpo, coperchio, tazza in acciaio inossidabile AISI316/316L
Internals, bracket, lock and panel nuts, fixing screws in stainless steel	Vite di regolazione, staffa, dadi di bloccaggio e pannello, viti di fissaggio in acciaio inossidabile
3, 5, 25 & 40micron filtering element in AISI316 SS	Elementi filtranti da 3, 5, 25 e 40micron in AISI316
Diaphragm & seals in elastomer	Diaframma e guarnizioni in elastomero

Product exploded view

Esploso del prodotto

www.sitecna.eu



Pos.	Q.ty	Description	Descrizione
1	1	ADJUSTMENT SCREW	VITE DI REGOLAZIONE
2	1	LOCK ADJUSTMENT NUT	DADO FISSAGGIO REGOLAZIONE
3	1	BRACKET NUT	VITE DI REGOLAZIONE
4a	1	BRACKET FR/R	DADO FISSAGGIO REGOLAZIONE
5	1	UPPER SPRING SEAT	SEDE SUPERIORE MOLLA
6	1	ADJUSTMENT SPRING	MOLLA DI REGOLAZIONE
7	1	BONNET	TAZZA SUPERIORE
8	1	LOWER SPRING GUIDE	GUIDA INFERIORE MOLLA
9	1	LOWER SPRING RESET	RESET INFERIORE MOLLA
10	1	DIAPHRAGM	DIAFRAMMA
11	1	VALVE SEAT	SEDE VALVOLA
12	1	PTFE RING	ANELLO PTFE
13a	1	FR BODY	CORPO
14	1	O-RING	O-RING
15	1	VALVE STEM	CORPO VALVOLA
16	1	O-RING VALVE STEM	O-RING CORPO VALVOLA
17	1	VALVE SPRING	MOLLA VALVOLA
19a	1	FILTER ELEMENT SUPPORT 5mic	SUPPORTO ELE. FILTRANTE 5 MIC
19b	1	FILTER ELEMENT SUPPORT 25mic	SUPPORTO ELE. FILTRANTE 25 MIC
20a	1	FILTER ELEMENT 5 MICRON	ELEMENTO FILTRANTE 5 MIC
20b	1	FILTER ELEMENT 25 MICRON	ELEMENTO FILTRANTE 25 MIC
21	1	FILTER ELEMENT SUPPORT	SUPPORTO ELE. FILTRANTE
22	1	FILTER ELEMENT CASEBACK	BASE ELEMENTO FILTRANTE
23	1	SCREW M4X6	VITI M4X6
24a	1	MANUAL DRAIN BOLW	TAZZA SCARICO MANUALE
24b	1	AUTOMATIC DRAIN BOLW	TAZZA SCARICO AUTOMATICO
25	1	BENZIN	ANELLO BENZIN
26	1	O-RING DRAIN	O-RING DRAIN
27	1	MANUAL DRAIN	SCARICO MANUALE
28a	4	SCREW MAN. DRAIN M5X10	VITI SCARICO MANUALE M5X10
28b	4	SCREW AUTO DRAIN M5X16	VITI SCARICO AUTO M5X16
28c	4	BONNET SCREW M5X10	VITI TAZZA SUPERIORE M5X10
29	1	AUTOMATIC DRAIN	SCARICO AUTOMATICO
30	1	O-RING AUTO DRAIN	O-RING SCARICO AUTO
31	1	AUTOMATIC DRAIN SEAT	SEDE SCARICO AUTOMATICO
32	1	O-RING AUTOM. DRAIN	O-RING SCARICO AUTO
33	1	AUTOMATIC DRAIN SEAT	SEDE SCARICO AUTOMATICO

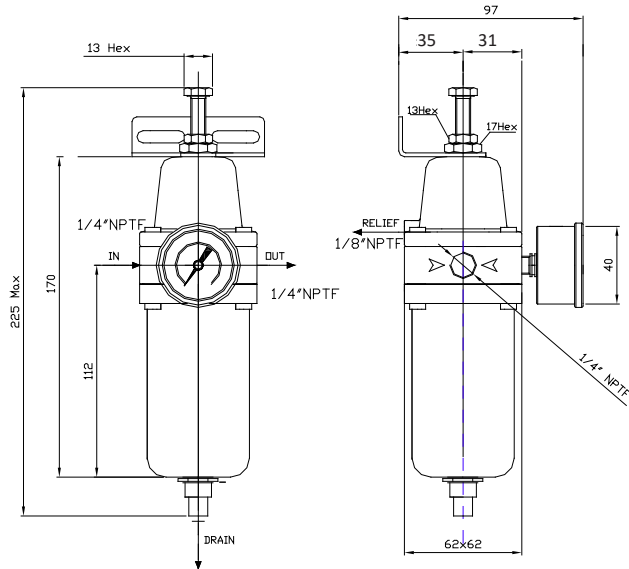
BT-FRH4SS/C23B

## Overall dimension

Dimensioni di ingombro

### Automatic drain

Scarico automatico



### Manual drain

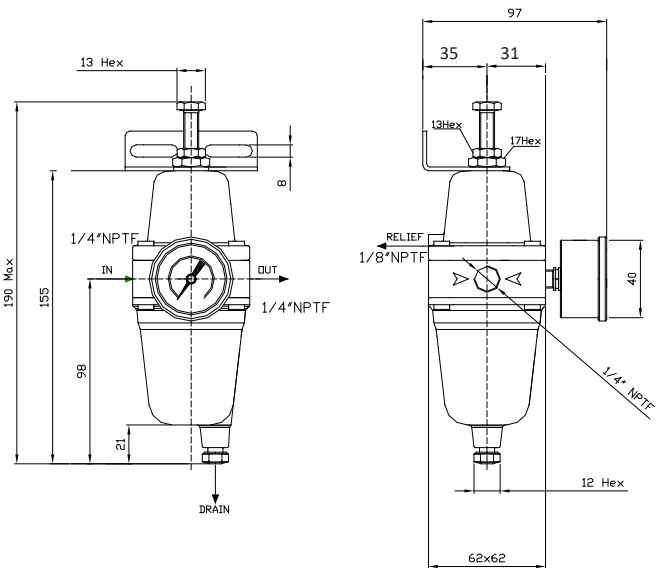
Scarico manuale

#### Note for automatic drain:

- max inlet pressure 16bar
- not recommended for  $T < 2^{\circ}\text{C}$

#### Nota per scarico automatico:

- massima pressione di utilizzo 16bar
- non raccomandato per  $T < 2^{\circ}\text{C}$



## Accessories and repair kit

Accessori e ricambi

Maintenance kit / Kit manutenzione [1/4"]	Items K-FRH4-*_*-SS-***
Pressure gauge DN40mm, all SS, Bar+psi+kpa range / Manometro DN40mm, tutto inox, scala Bar+psi+kpa	0-2,5 bar MBS6P4S2PN04 0-4bar MBS6P4S2PN05 0-10bar MBS6P4S2PN07
Bracket / Staffa	SQ-FR04
<b>Anti-tamper kit / Kit anti-manomissione</b>	<b>KTAM04-08</b>

\* Refers to filter element option: 1→5 micron; 2→25 micron; 3→40 micron; 5→3 micron

\*\* Refers to relieving options: 0→Relieving 5→Non Relieving

\*\*\* Refers to seals type: FK→FKM NB→NBR LT→EPDM FL→FVMQ HN→HNBR

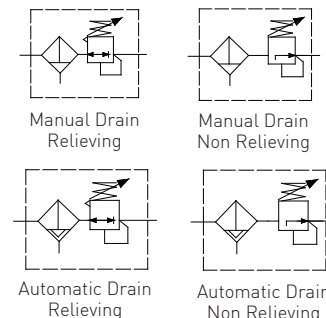
## AISI316L 3/8"-1/2"NPT instrument filter regulator – FR serie

Filtro regolatore da 3/8" e 1/2"NPT in AISI316L – serie FR

www.sitecna.eu

- Suitable for automation equipment to onshore, offshore, pharmaceutical, medical and food applications
- Full material traceability
- Excellent stability and repeatability
- Accurate adjustment and high flow capacity
- ATEX 2014/34/UE II 2G Ex h IIC T6/T5 Gb X
- & approved / IP66 / SIL - IEC 61508

- Adatto per automazione in applicazioni marine, petrolchimiche, farmaceutiche, medicali e alimentari
- Completa rintracciabilità dei materiali
- Eccellente stabilità e ripetibilità
- Precise regolazioni ed elevate portate
- ATEX 2014/34/UE II 2G Ex h IIC T6/T5 Gb X
- II 2D Ex h IIIC T85°C/T100°C Db X
- Approvato ed / IP66 / SIL - IEC 61508



<b>Media / Fluido</b>	<b>Compressed air, inert gases, sweet and sour gases</b>
<b>Port thread / Conessioni</b>	<b>3/8"-1/2"NPT</b>
<b>Gauge Connection</b> Connessione manometro	<b>1/8"NPT (1/4"NPT option)</b>
<b>Filtering element</b> Elemento filtrante	<b>3, 5, 25, 40 micron in st. st. 316</b>
<b>Max inlet pressure /</b> Pressione massima di ingresso	<b>30bar (16bar automatic drain version)</b>
<b>Drain valve/ Scarico condensa</b>	<b>Manual or automatic</b>
<b>Flow rate (@10bar inlet, 6bar regulated, delta P=1bar) / Portata</b>	<b>4500dm3/min Cv=4.5</b>
<b>Working temperature / Temperatura di esercizio</b>	<b>-20°C up to 80°C (NBR); -25°C up to 90°C (FKM); -40°C up to 80°C (EPDM); -60° up tp 90°C (FVMQ)*</b>
<b>Regulated pressure</b> Pressioni regolate	<b>0.2/2, 0.2/4, 0.4/8, 0.4/10, 0.4/12bar</b>

Air supply must be dry enough to avoid ice formation at temperatures below +2°C (+35°F).

**\*Special version in HNBR (WT -60°C + 90°C)**

**It provides excellent regulation and filtering for a wide range of applications. Rugged and corrosion-resistant – made of 316L stainless steel -Compact small package size – light weight / Permette un'accurata regolazione e filtraggio per una vasta gamma di applicazioni. Robusto e resistente alla corrosione – Costruito AISI316L - Dimensioni di ingombro ridotte – Leggero**

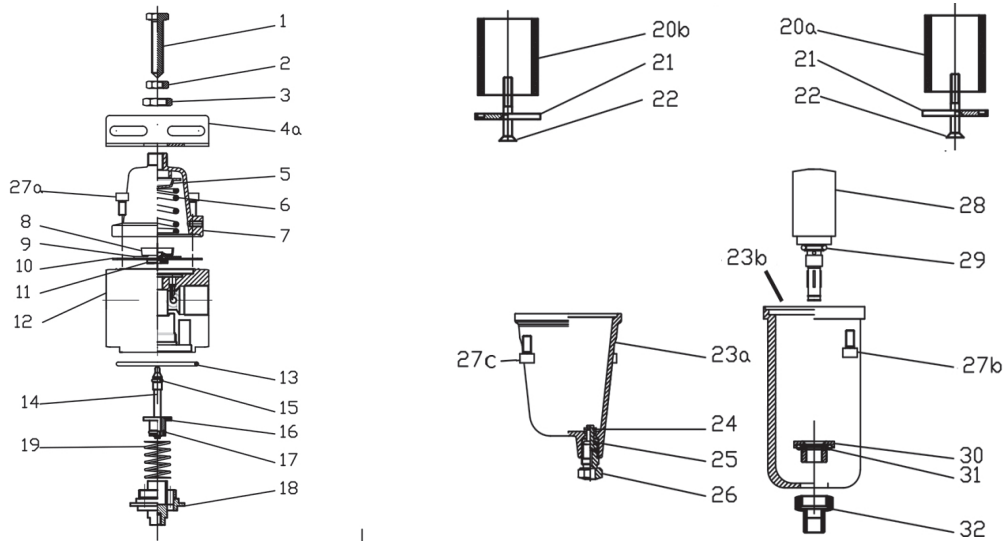
BUILDING MATERIALS	Materiali costruttivi
<b>Body, bonnet, bowl in AISI 316/316L stainless steel</b>	Corpo, coperchio, tazza in acciaio inossidabile AISI316/316L
<b>Internals, bracket, lock and panel nuts, fixing screws in stainless steel</b>	Vite di regolazione, staffa, dadi di bloccaggio e pannello, viti di fissaggio in acciaio inossidabile
<b>3, 5, 25 &amp; 40 micron filtering element in AISI316 SS</b>	Elementi filtranti da 3, 5, 25 e 40micron in AISI316
<b>Diaphragm &amp; seals in elastomer</b>	Diaframma e guarnizioni in elastomero

BT-FR08SS/C23A



## Product exploded view

Esploso del prodotto



Pos.	Q.ty	Description	Descrizione
1	1	ADJUSTMENT SCREW	VITE DI REGOLAZIONE
2	1	LOCK ADJUSTMENT NUT	DADO FISSAGGIO REGOLAZIONE
3	1	BRACKET NUT	DADO STAFFA
4a	1	BRACKET	STAFFA
5	1	UPPER SPRING SEAT	SEDE SUPERIORE MOLLA
6	1	ADJUSTMENT SPRING	MOLLA DI REGOLAZIONE
7	1	BONNET	TAZZA SUPERIORE
8	1	LOWER SPRING GUIDE	GUIDA MOLLA INFERIORE
9	1	LOWER SPRING RESET	RESET MOLLA INFERIORE
10	1	DIAPHRAGM	DIAFRAMMA
11	1	VALVE SEAT	SEDE VALVOLA
12	1	BODY	CORPO
13	1	O-RING	O-RING
14	1	VALVE STEM	CORPO VALVOLA
15	1	O-RING VALVE STEM	O-RING CORPO VALVOLA
16	1	VALVE	VALVOLA
17	1	O-RING VALVE	O-RING VALVOLA
18	1	FILTER ELEMENT SUPPORT	SUPPORTO ELE. FILTRANTE
19	1	VALVE SPRING	MOLLA VALVOLA
20a	1	FILTER ELEMENT 5 MICRON	SUPPORTO ELE. FILTRANTE 5 MIC
20b	1	FILTER ELEMENT 25 MICRON	SUPPORTO ELE. FILTRANTE 25 MIC
21	1	FILTER ELEMENT PLUG	FONDELLO ELEMNTE FILTRANTE
22	1	SCREW M5X30	VITE M5X30
23a	1	MANUAL DRAIN BOLW	TAZZA SCARICO MANUALE
23b	1	AUTOMATIC DRAIN BOLW	TAZZA SCARICO AUTOMATICO
24	1	BENZIN	ANELLO BENZIN
25	1	O-RING DRAIN	O-RING DRAIN
26	1	MANUAL DRAIN	SCARICO MANUALE
27a	4	SCREW M5X10	VITI M5X10
27b	4	SCREW AUTO DRAIN M5X16	VITI SCARICO AUTO M5X16
27c	4	SCREW MAN DRAIN M5X10	VITI SCARICO MANUALE M5X10
28	1	AUTOMATIC DRAIN	SCARICO AUTOMATICO
29	1	O-RING AUTO DRAIN	O-RING SCARICO AUTO
30	1	AUTOMATIC DRAIN SEAT	SEDE SCARICO AUTOMATICO
31	1	O-RING AUTO DRAIN	O-RING SCARICO AUTO
32	1	AUTOMATIC DRAIN SEAT	SEDE SCARICO AUTOMATICO

### Overall dimension

Dimensioni di ingombro

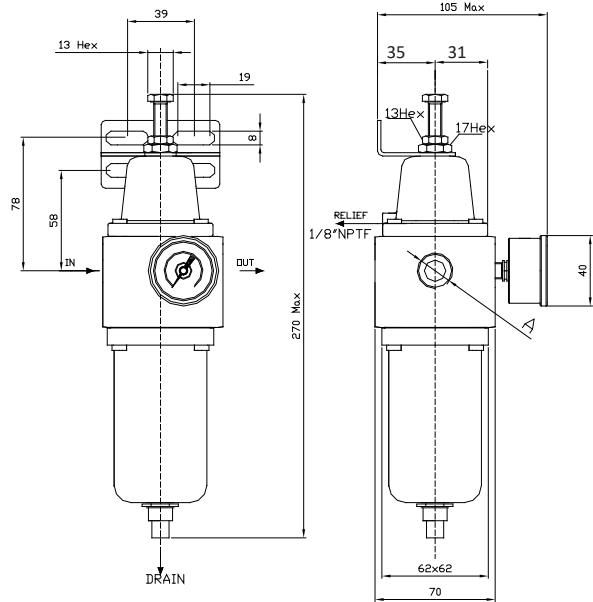
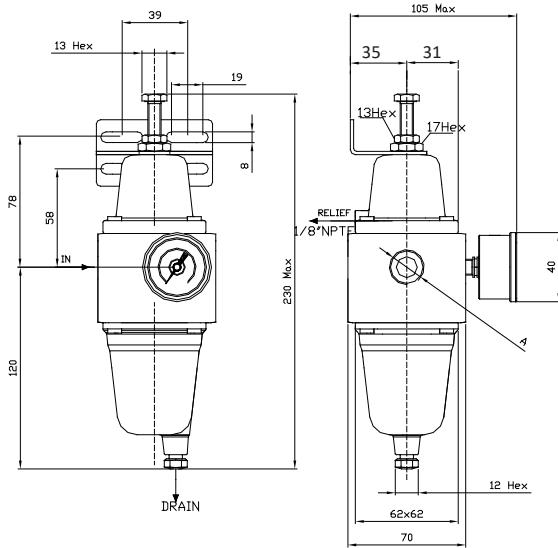
FR06 A = 3/8"  
FR08 A = 1/2"

#### Manual drain

Scarico manuale

#### Automatic drain

Scarico automatico

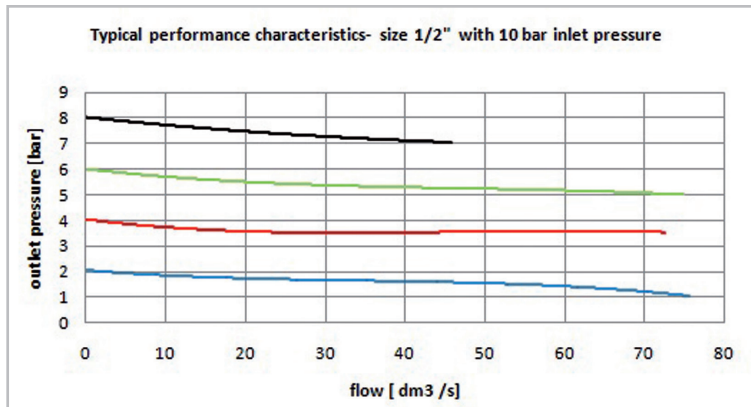


### Flow characteristics

Caratteristiche di portata

**Note for automatic drain:**  
- max inlet pressure 16bar  
- not recommended for T<2°C

**Nota per scarico automatico:**  
- massima pressione di utilizzo 16bar  
- non raccomandato per T<2°C



### Accessories and repair kit

Accessori e ricambi

Maintenance kit / Kit manutenzione	K-FR08-*-**-SS-***
Pressure gauge DN40mm, all inox, Bar+psi+kpa range / Manometro DN40mm, tutto inox, scala Bar+psi+kpa	0-2,5 bar MBS6P4S2PN04 0-4bar MBS6P4S2PN05 0-10bar MBS6P4S2PN07
Bracket /Staffa	SQ-FR04
<b>Anti-tamper kit / Kit anti-manomissione</b>	<b>KTAM04-08</b>

\* Refers to filter element option: 1→5 micron; 2→25 micron; 3→40 micron; 5→3 micron





\*\* Refers to relieving options: 0→Relieving 5→Non Relieving





\*\*\* Refers to seals type: FK→FKM NB→NBR LT→EPDM FL→FVMQ HN→HNBR

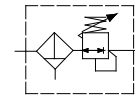
BT-FR08SS/C23C

## AISI316L 3/4"- 1"NPT instrument filter regulator – FR serie

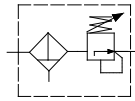
Filtro regolatore da 3/4" – 1"NPT in AISI316L – serie FR

- Suitable for automation equipment to onshore, offshore, pharmaceutical, medical and food applications
- Full material traceability
- Excellent stability and repeatability
- Accurate adjustment and high flow capacity
- ATEX 2014/34/UE  II 2G Ex h IIC T6/T5 Gb X  
II 2D Ex h IIIC T85°C/T100°C Db X
-  &  approved / IP66 / SIL - IEC 61508 

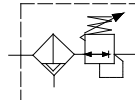
- Adatto per automazione in applicazioni marine, petrolchimiche, farmaceutiche, medicali e alimentari
- Completa rintracciabilità dei materiali
- Eccellente stabilità e ripetibilità
- Precise regolazioni ed elevate portate
- ATEX 2014/34/UE  II 2G Ex h IIC T6/T5 Gb X  
II 2D Ex h IIIC T85°C/T100°C Db X
- Approvato  ed  / IP66 / SIL - IEC 61508 



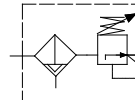
Manual Drain Relieving



Manual Drain Non Relieving



Automatic Drain Relieving



Automatic Drain Non Relieving

Media / Fluido	Compressed air, inert gases, sweet and sour gases
Port thread / Conessioni	3/4"-1" NPT
Gauge Connection Connessione manometro	1/4"NPT (1/8"NPT option)
Filtering element Elemento filtrante	5, 25, 40 micron in st. st. 316
Max inlet pressure / Pressione massima di ingresso	30bar (16bar automatic drain version)
Drain valve/ Scarico condensa	Manual or automatic
Flow rate (@10bar inlet, 6bar regulated, delta P=1bar)/ Portata	11500dm <sup>3</sup> /min Cv=11.5
Working temperature / Temperatura di esercizio	-20°C up to 80°C (NBR); -25°C up to 90°C (FKM); -40°C up to 80°C (EPDM); -60° up tp 90°C (FVMQ)*
Regulated pressure Pressioni regolate	0.2/2, 0.2/4, 0.4/8, 0.4/10, 0.4/12bar

Air supply must be dry enough to avoid ice formation at temperatures below +2°C (+35°F).

\*Special version in HNBR (WT -60°C + 90°C)

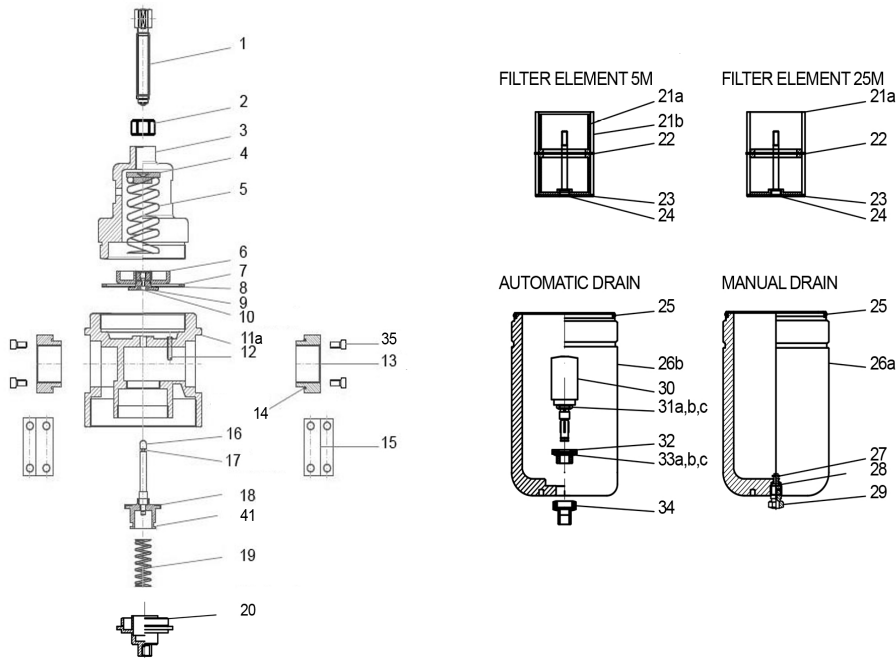
**It provides excellent regulation and filtering for a wide range of applications. Rugged and corrosion-resistant – made of 316L stainless steel /** Permette un'accurata regolazione e filtraggio per una vasta gamma di applicazioni. Robusto e resistente alla corrosione – costruito in acciaio inossidabile 316

BUILDING MATERIALS	Materiali costruttivi
Body, bonnet, bowl in AISI 316/316L stainless steel	Corpo, coperchio, tazza in acciaio inossidabile AISI316/316L
Internals, bracket, lock and panel nuts, fixing screws in stainless steel	Vite di regolazione, staffa, dadi di bloccaggio e pannello, viti di fissaggio in acciaio inossidabile
5, 25 & 40 micron filtering element in AISI316 SS	Elementi filtranti da 5, 25 e 40 micron in AISI316
Diaphragm & seals in elastomer	Diaframma e guarnizioni in elastomero

**Product exploded view**

Esploso del prodotto

www.sitecna.eu



Pos.	Q.ty	Description	Descrizione
1	1	ADJUSTMENT SCREW	VITE DI REGOLAZIONE
2	1	LOCK ADJUSTMENT NUT	DADO FISSAGGIO REGOLAZIONE
3	1	BONNET	TAZZA SUPERIORE
4	1	UPPER SPRING SEAT	SEDE SUPERIORE MOLLA
5	1	ADJUSTMENT SPRING	MOLLA DI REGOLAZIONE
6	1	LOWER SPRING RESET	RESET INFERIORE MOLLA
7	1	SLIP RING	SLIP RING
8	1	DIAPHRAGM	DIAFRAMMA
9	1	VALVE SEAT	SEDE VALVOLA
10	1	O'RING (ONLY FOR RELIEVING)	O'RING (SOLO PER RELIEVING)
11a	1	BODY	CORPO
12	1	SIPHON	SIFONE
13	2	CONNECTION	TERMINALI FILETTATI
14	2	O'RING	O'RING
15	2	BRACKET	STAFFA
16	1	VALVE STEM	CORPO VALVOLA
17	1	O'RING	O'RING
18	1	VALVE	VALVOLA
19	1	VALVE SPRING	MOLLA VALVOLA
20	1	FILTER ELEMENT SUPPORT	SUPPORTO ELE. FILTRANTE
21a	2	FILTER ELEMENT 5 MICRON	ELEMENTO FILTRANTE 5 MIC
21b	2	FILTER ELEMENT 25 MICRON	ELEMENTO FILTRANTE 25 MIC
22	1	FILTER ELEMENT RING	ANELLO ELEMENTO FILTRANTE
23	1	FILTER ELEMENT PLUG	FONDELLO ELEMENTO FILTRANTE
24	1	FILTER ELEMENT SCREW	VITE ELEMENTO FILTRANTE
25	1	O'RING BOWL	O'RING TAZZA
26a	1	MANUAL DRAIN BOWL	TAZZA SCARICO MANUALE
26b	1	AUTOMATIC DRAIN BOWL	TAZZA SCARICO AUTOMATICO
27	1	BENZIN	ANELLO BENZIN
28	1	O'RING DRAIN	O'RING DRAIN
29	1	MANUAL DRAIN	SCARICO MANUALE
30	1	AUTOMATIC DRAIN	SCARICO AUTOMATICO
31	1	O'RING AUTO DRAIN	O'RING SCARICO AUTO
32	1	AUTOMATIC DRAIN SEAT	SEDE SCARICO AUTOMATICO
33	1	O'RING AUTO DRAIN	O'RING SCARICO AUTO
34	1	AUTOMATIC DRAIN SEAT	SEDE SCARICO AUTOMATICO
35	8	SCREW M5x16 DIN 912 A2	VITI M5X16
41	1	O'RING VALVE	O'RING

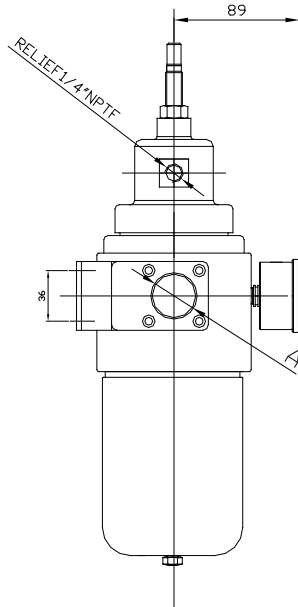
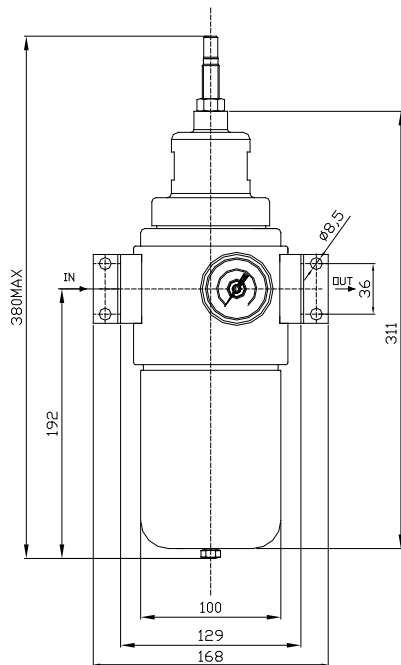
BT-FR16SS/C23B

## Overall dimension

Dimensioni di ingombro

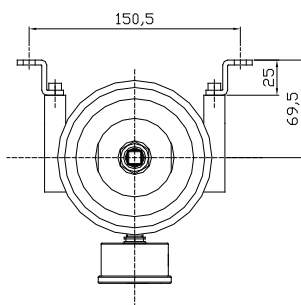
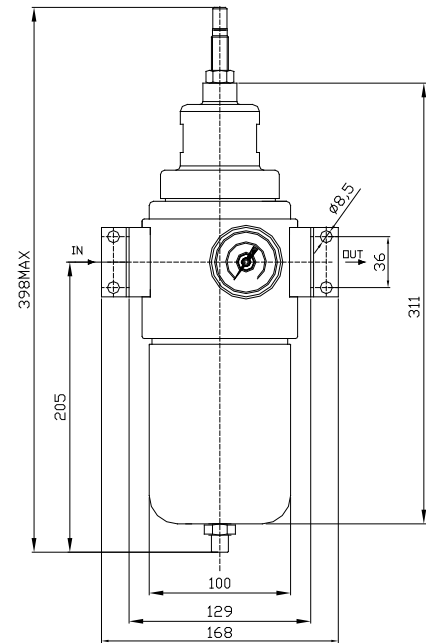
### Manual drain

Scarico manuale



### Automatic drain

Scarico automatico

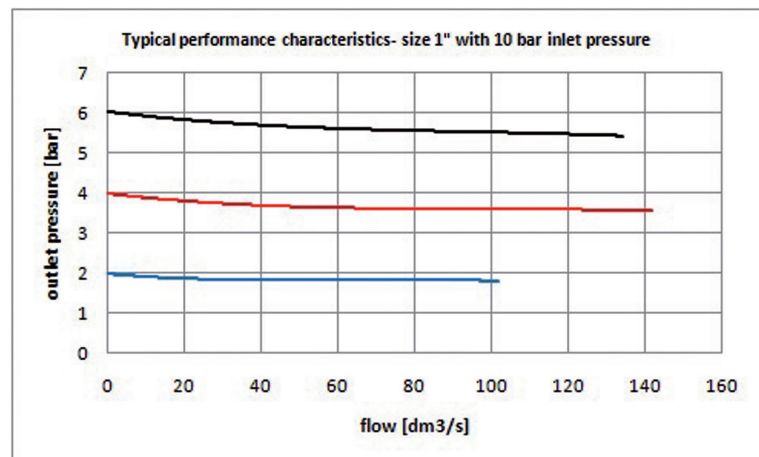


FR12 A = 3/4"

FR16 A = 1"

Note for automatic drain / Nota per scarico automatico:

- max inlet pressure 16bar / massima pressione di utilizzo 16bar
- not recommended for  $T < 2^{\circ}\text{C}$  / non raccomandato per  $T < 2^{\circ}\text{C}$



## Accessories and repair kit

Accessori e ricambi

Maintenance kit / Kit manutenzione	K-FR16-**-**-SS-***
Pressure gauge DN40mm, all SS, Bar+psi+kpa range / Manometro DN40mm, tutto inox, scala Bar+psi+kpa	0-2,5 bar MBS6P4S2PN04 0-4bar MBS6P4S2PN05 0-10bar MBS6P4S2PN07
Bracket / Staffa	SQ-FR16
Anti-tamper kit / Kit anti-manomissione	KTAM04-08

\* Refers to filter element option: 1→5 micron; 2→25 micron; 3→40 micron; 5→3 micron

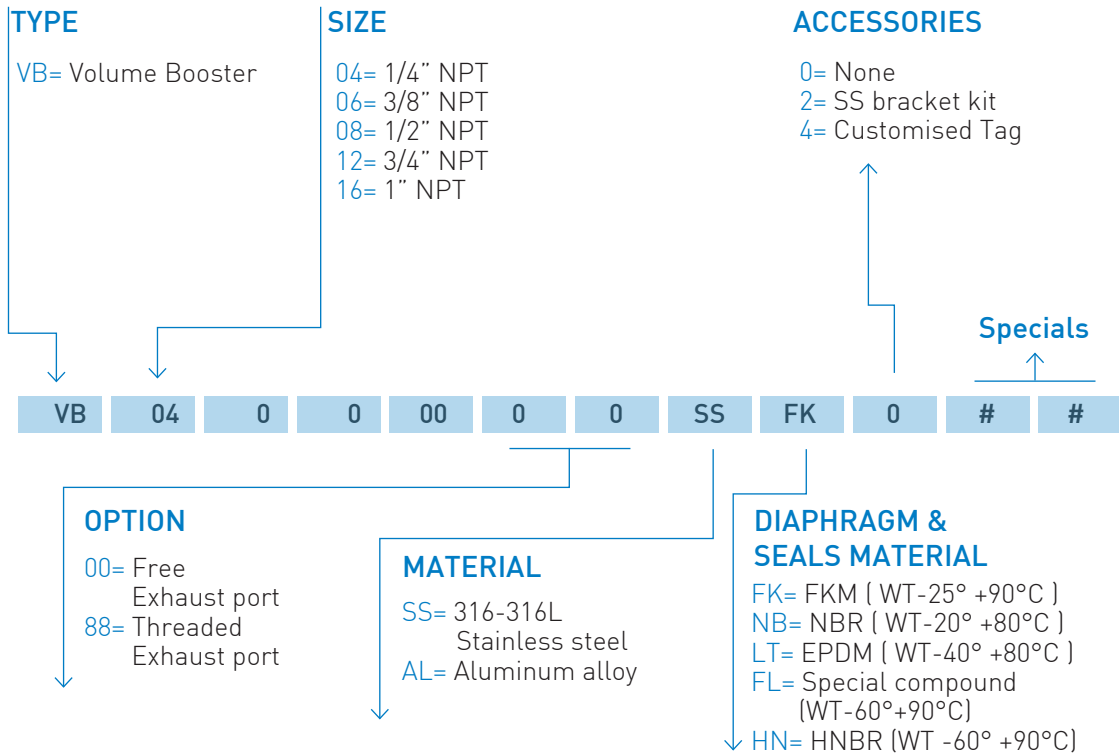
\*\* Refers to relieving options: 0→Relieving 5→Non Relieving

\*\*\* Refers to seals type: FK→FKM NB→NBR LT→EPDM FL→FVMQ HN→HNBR

www.sitecna.eu

# Ordering information

## Come ordinare



### CODE EXAMPLES



VB 04 0 0 00 0 0 SS FK 0

**1/4"NPT, SS316L, Volume booster, with FKM diaphragm & seals, Cv In - 2.20 exhaust- 2.40, WT -25°C to 90°C**

Amplificatore di flusso da 1/4"NPT in AISI316L con diaframma e tenute in FKM, Cv In - 2.20 exhaust- 2.40, temperatura di lavoro da -25°C a +90°C



VB 08 0 0 00 8 8 AL LT 0

**1/2"NPT, Epoxy painted aluminium alloy + SS304 or 316L, volume booster with FKM diaphragm & seals, threaded exhaust, Cv In/exhaust 2.80, WT -25°C to +90°C**

Amplificatore di flusso da 1/2"NPT in Lega di alluminio con verniciatura epossidica + AISI304-316L con diaframma e tenute in EPDM, Cv In/Exhaust 2.80, scarico filettato, temperatura di lavoro da -40°C a +80°C

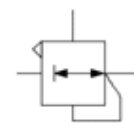
01-VB/C22A

## Copper free aluminum alloy 1/4"-1/2" NPT volume booster – VB serie

Amplificatore di flusso da 1/4" -1/2" NPT in lega di alluminio esente rame – serie VB

www.sitecna.eu

- Suitable for automation equipment to onshore, offshore, pharmaceutical, medical and food applications
- Full material traceability
- Excellent stability and repeatability
- Accurate adjustment and high flow capacity
- Integral by-pass valve
- ATEX 2014/34/UE II 2G Ex h IIC T6/T5 Gb X  
II 2D Ex h IIIC T85°C/T100°C Db X
- & approved / IP66/ SIL 3 - IEC 61508



- Adatto per automazione in applicazioni marine, petrolchimiche, farmaceutiche, medicali e alimentari
- Completa rintracciabilità dei materiali
- Eccellente stabilità e ripetibilità
- Precise regolazioni ed elevate portate
- Valvola di by-pass integrale
- ATEX 2014/34/UE II 2G Ex h IIC T6/T5 Gb X  
II 2D Ex h IIIC T85°C/T100°C Db X
- Approvato ed / IP66/ SIL 3 - IEC 61508

Media / Fluido	Compressed air, inert gases, sweet and sour gases
Port thread / Conessioni	1/4" -1/2" NPT
Signal Connection Connessione segnale	1/4" NPT
Max supply pressure Pressione massima di ingresso	10bar
Max signal/output pressure Pressione massima segnale/uscita	10bar
Flow rate (Cv)/Portata	1/4" - Input = 2.20; Exhaust = 2.40 1/2" - Input = 2.80; Exhaust = 2.80
Working temperature / Temperatura di esercizio	-20°C up to 80°C (NBR); -25°C up to 90°C (FKM); -40°C up to 80°C (EPDM); -60° up tp 90°C (FVMQ)*
Linearity/Linearità	+/- 0.90 FS
In/Output pressure ratio Rapporto di pressione In/Out	1:1

Air supply must be dry enough to avoid ice formation at temperatures below +2°C (+35°F).

**\*Special version in HNBR (WT -60°C + 90°C)**

**It provides excellent regulation with high flow for a wide range of applications. Rugged and corrosion-resistant – made of aluminum alloy and SS AISI304/316 – Compact small package size – light weight /** Permette una regolazione accurata con grandi portate per una vasta gamma di applicazioni. Robusto e resistente alla corrosione – Costruito in lega di alluminio ed AISI304/316 - Dimensioni di ingombro ridotte – Leggero

BUILDING MATERIALS	Materiali costruttivi
Body, spacer, top in epoxy painted copper free aluminum alloy	Corpo, distanziale, coperchio in lega di alluminio esente rame con verniciatura epossidica
Internals, bracket, lock and panel nuts, fixing screws in stainless steel	Vite di regolazione, staffa, dadi di bloccaggio e pannello, viti di fissaggio in acciaio inossidabile

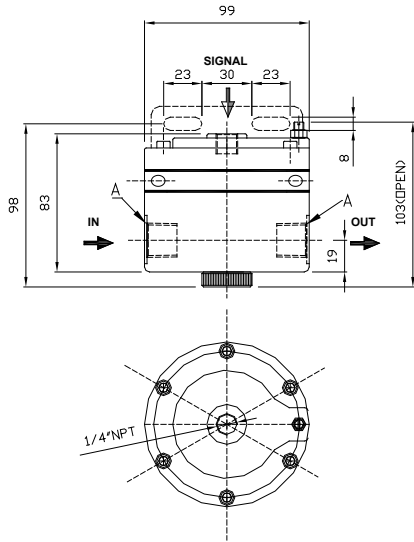
BT-VB04AL/C22A

## Overall dimension

Dimensioni di ingombro

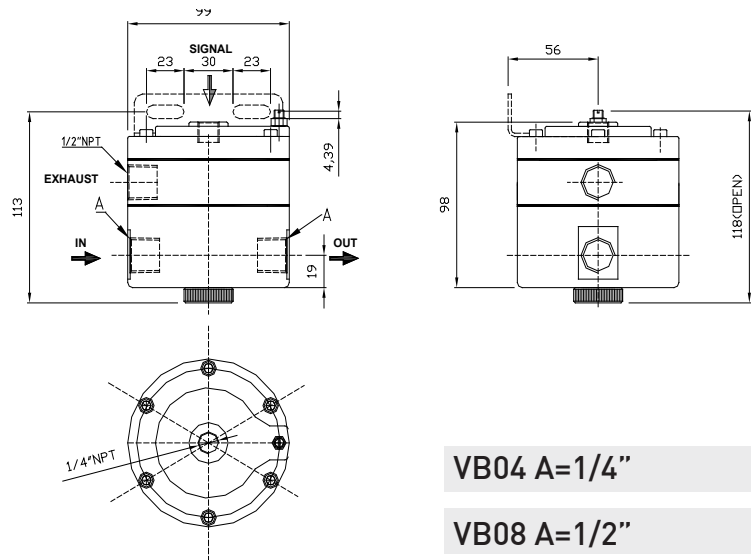
### Free exhaust port

Scarico libero



### Threaded exhaust port

Scarico convogliato



VB04 A=1/4"

VB08 A=1/2"

## Accessories and repair kit

Accessori e ricambi

Maintenance kit / Kit manutenzione	Items K-VB08- *-AL- **
Bracket / Staff	C0607-031

\* Refers to exhaust port: 00= free exhaust; 88 = threaded exhaust

\*\* Refers to seals type: FK→FKM NB→NBR LT→EPDM FL→FVMQ HN→HNBR

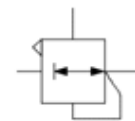


## Copper free aluminum alloy 3/4"-1"NPT volume booster – VB serie

Amplificatore di flusso da 3/4" -1"NPT in lega di alluminio esente rame – serie VB

www.sitecna.eu

- Suitable for automation equipment to onshore, offshore, pharmaceutical, medical and food applications
- Full material traceability
- Excellent stability and repeatability
- Accurate adjustment and high flow capacity
- Integral by-pass valve
- ATEX 2014/34/UE II 2G Ex h IIC T6/T5 Gb X  
II 2D Ex h IIIC T85°C/T100°C Db X



- & approved / IP66/ SIL 3 - IEC 61508

- Adatto per automazione in applicazioni marine, petrolchimiche, farmaceutiche, medicali e alimentari
- Completa rintracciabilità dei materiali
- Eccellente stabilità e ripetibilità
- Precise regolazioni ed elevate portate
- Valvola di by-pass integrale
- ATEX 2014/34/UE II 2G Ex h IIC T6/T5 Gb X  
II 2D Ex h IIIC T85°C/T100°C Db X
- Approvato ed / IP66/ SIL 3 - IEC 61508

Media / Fluido	Compressed air, inert gases, sweet and sour gases
Port thread / Conessioni	3/4"-1" NPT
Signal Connection Connessione segnale	1/4"NPT
Max supply pressure Pressione massima di ingresso	10bar
Max signal/output pressure Pressione massima segnale/uscita	10bar
Flow rate (Cv)/Portata	3/4" - Input = 5.60; Exhaust = 6.50 1" - Input = 8; Exhaust = 8
Working temperature / Temperatura di esercizio	-20°C up to 80°C (NBR); -25°C up to 90°C (FKM); -40°C up to 80°C (EPDM); -60° up tp 90°C (FVMQ)*
Linearity/Linearità	+/- 1.00 FS
In/Output pressure ratio Rapporto di pressione In/Out	1:1

Air supply must be dry enough to avoid ice formation at temperatures below +2°C (+35°F).

**\*Special version in HNBR (WT -60°C + 90°C)**

**It provides excellent regulation with high flow for a wide range of applications. Rugged and corrosion-resistant – made of aluminum alloy and SS AISI304/316 - Compact small package size – light weight /** Permette una regolazione accurata con grandi portate per una vasta gamma di applicazioni. Robusto e resistente alla corrosione – Costruito in lega di alluminio ed AISI304/316 - Dimensioni di ingombro ridotte – Leggero

BUILDING MATERIALS	Materiali costruttivi
Body, spacer, top in epoxy painted copper free aluminum alloy	Corpo, distanziale, coperchio in lega di alluminio esente rame con verniciatura epossidica
Internals, bracket, lock and panel nuts, fixing screws in stainless steel	Vite di regolazione, staffa, dadi di bloccaggio e pannello, viti di fissaggio in acciaio inossidabile

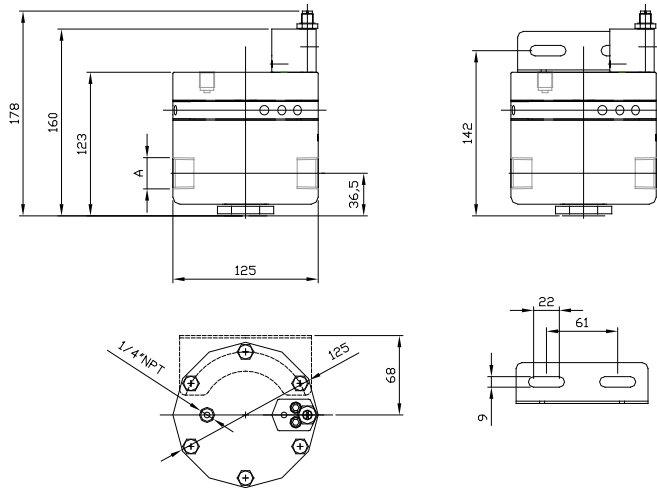
BT-VB16AL/C22A

## Overall dimension

Dimensioni di ingombro

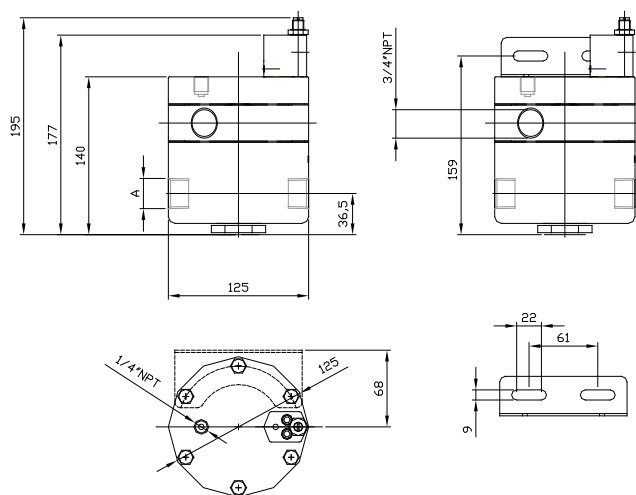
### Free exhaust port

Scarico libero



### Threaded exhaust port

Scarico convogliato



VB12 A=3/4"

VB16 A=1"

## Accessories and repair kit

Accessori e ricambi

Maintenance kit / Kit manutenzione	Items K-VB16-*AL-** [1"]
Bracket and lock nut / Staffa e Dado	C0740-40

\* Refers to exhaust port: 00= free exhaust; 88 = threaded exhaust

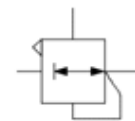
\*\* Refers to seals type: FK→FKM NB→NBR LT→EPDM FL→FVMQ HN→HNBR

### AISI316L 1/4"-1/2"NPT volume booster – VB serie

Amplificatore di flusso da 1/4" -1/2"NPT in AISI316L – serie VB

www.sitecna.eu

- Suitable for automation equipment to onshore, offshore, pharmaceutical, medical and food applications
- Full material traceability
- Excellent stability and repeatability
- Accurate adjustment and high flow capacity
- Integral by-pass valve
- ATEX 2014/34/UE II 2G Ex h IIC T6/T5 Gb X  
II 2D Ex h IIIC T85°C/T100°C Db X
- & approved / IP66/ SIL 3 - IEC 61508



- Adatto per automazione in applicazioni marine, petrolchimiche, farmaceutiche, medicali e alimentari
- Completa rintracciabilità dei materiali
- Eccellente stabilità e ripetibilità
- Precise regolazioni ed elevate portate
- Valvola di by-pass integrale
- ATEX 2014/34/UE II 2G Ex h IIC T6/T5 Gb X  
II 2D Ex h IIIC T85°C/T100°C Db X
- Approvato ed / IP66/ SIL 3 - IEC 61508

<b>Media / Fluido</b>	<b>Compressed air, inert gases, sweet and sour gases</b>
<b>Port thread / Connessioni</b>	<b>1/4"-1/2" NPT</b>
<b>Signal Connection</b> Connessione segnale	<b>1/4"NPT</b>
<b>Max supply pressure</b> Pressione massima di ingresso	<b>10bar</b>
<b>Max signal/output pressure</b> Pressione massima segnale/uscita	<b>10bar</b>
<b>Flow rate (Cv)/Portata</b>	<b>1/4" - Input = 2.20; Exhaust = 2.40 1/2" - Input = 2.80; Exhaust = 2.80</b>
<b>Working temperature /</b> Temperatura di esercizio	<b>-20°C up to 80°C (NBR); -25°C up to 90°C (FKM); -40°C up to 80°C (EPDM); -60° up tp 90°C (FVMQ)*</b>
<b>Linearity/Linearità</b>	<b>+/- 0.90 FS</b>
<b>In/Output pressure ratio</b> Rapporto di pressione In/Out	<b>1:1</b>

Air supply must be dry enough to avoid ice formation at temperatures below +2°C (+35°F).

**\*Special version in HNBR (WT -60°C + 90°C)**

**It provides excellent regulation with high flow for a wide range of applications. Rugged and corrosion-resistant – made in SS316L - Compact small package size – light weight**

Permette una regolazione accurata con grandi portate per una vasta gamma di applicazioni. Robusto e resistente alla corrosione – Costruito completamente in AISI316L - Dimensioni di ingombro ridotte – Leggero

BUILDING MATERIALS	Materiali costruttivi
<b>Body, spacer, top AISI316/316L stainless steel</b>	Corpo, distanziale, coperchio in acciaio inossidabile AISI316/316L
<b>Internals, bracket, lock and panel nuts, fixing screws in stainless steel</b>	Vite di regolazione, staffa, dadi di bloccaggio e pannello, viti di fissaggio in acciaio inossidabile
<b>Diaphragm &amp; seals in elastomer</b>	Diaframma e guarnizioni in elastomero

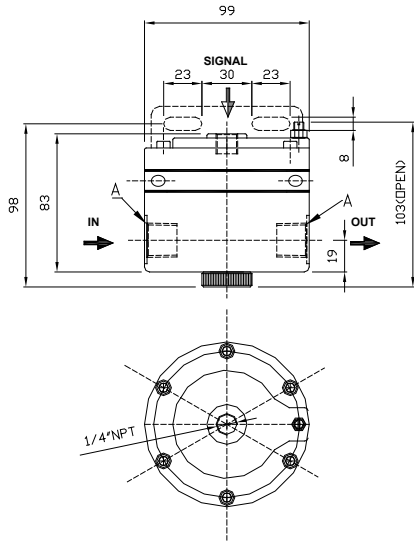
BT-VB04SS/C22A

## Overall dimension

Dimensioni di ingombro

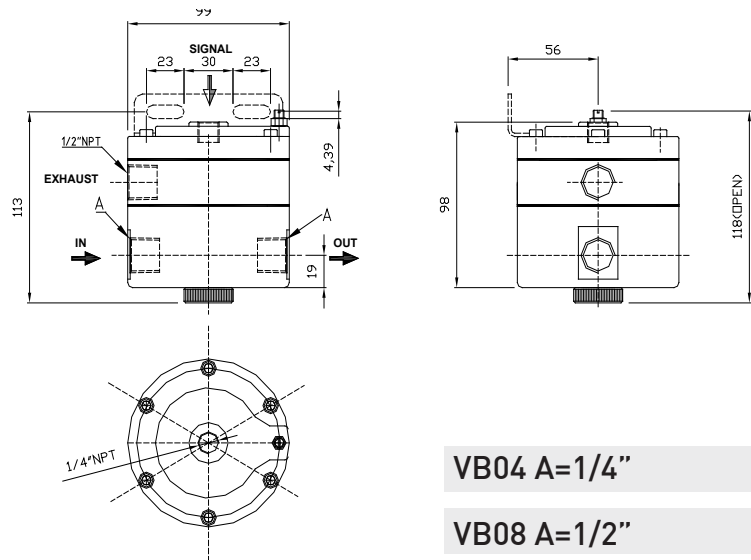
### Free exhaust port

Scarico libero



### Threaded exhaust port

Scarico convogliato



VB04 A=1/4"

VB08 A=1/2"

## Accessories and repair kit

Accessori e ricambi

Maintenance kit / Kit manutenzione	Items K-VB08-* -SS-** [1/2"]
Bracket /Staffa	C0607-031

\* Refers to exhaust port: 00= free exhaust; 88 = threaded exhaust

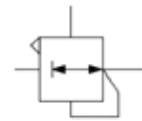
\*\* Refers to seals type: FK→FKM NB→NBR LT→EPDM FL→FVMQ HN→HNBR

## AISI316L 3/4"-1"NPT volume booster – VB serie

Amplificatore di flusso da 3/4" -1"NPT in AISI316L – serie VB

www.sitecna.eu

- Suitable for automation equipment to onshore, offshore, pharmaceutical, medical and food applications
- Full material traceability
- Excellent stability and repeatability
- Accurate adjustment and high flow capacity
- Integral by-pass valve
- ATEX 2014/34/UE II 2G Ex h IIC T6/T5 Gb X  
II 2D Ex h IIIC T85°C/T100°C Db X
- & approved / IP66/ SIL 3 - IEC 61508



- Adatto per automazione in applicazioni marine, petrolchimiche, farmaceutiche, medicali e alimentari
- Completa rintracciabilità dei materiali
- Eccellente stabilità e ripetibilità
- Precise regolazioni ed elevate portate
- Valvola di by-pass integrale
- ATEX 2014/34/UE II 2G Ex h IIC T6/T5 Gb X  
II 2D Ex h IIIC T85°C/T100°C Db X
- Approvato ed / IP66/ SIL 3 - IEC 61508

Media / Fluido	Compressed air, inert gases, sweet and sour gases
Port thread / Connessioni	3/4" - 1" NPT
Signal Connection Connessione segnale	1/4" NPT
Max supply pressure Pressione massima di ingresso	10bar
Max signal/output pressure Pressione massima segnale/uscita	10bar
Flow rate (Cv)/Portata	3/4" - Input = 5.60; Exhaust = 6.50 1" - Input = 8; Exhaust = 8
Working temperature / Temperatura di esercizio	-20°C up to 80°C (NBR); -25°C up to 90°C (FKM); -40°C up to 80°C (EPDM); -60° up to 90°C (FVMQ)*
Linearity/Linearità	+/- 1.00 FS
In/Output pressure ratio Rapporto di pressione In/Out	1:1

Air supply must be dry enough to avoid ice formation at temperatures below +2°C (+35°F).

\*Special version in HNBR (WT -60°C + 90°C)

**It provides excellent regulation with high flow for a wide range of applications. Rugged and corrosion-resistant – made in SS316L - Compact small package size – light weight**

Permette una regolazione accurata con grandi portate per una vasta gamma di applicazioni. Robusto e resistente alla corrosione – Costruito completamente in AISI316L - Dimensioni di ingombro ridotte – Leggero

BUILDING MATERIALS	Materiali costruttivi
Body, spacer, top AISI316/316L stainless steel	Corpo, distanziale, coperchio in acciaio inossidabile AISI316/316L
Internals, bracket, lock and panel nuts, fixing screws in stainless steel	Vite di regolazione, staffa, dadi di bloccaggio e pannello, viti di fissaggio in acciaio inossidabile
Diaphragm & seals in elastomer	Diaframma e guarnizioni in elastomero

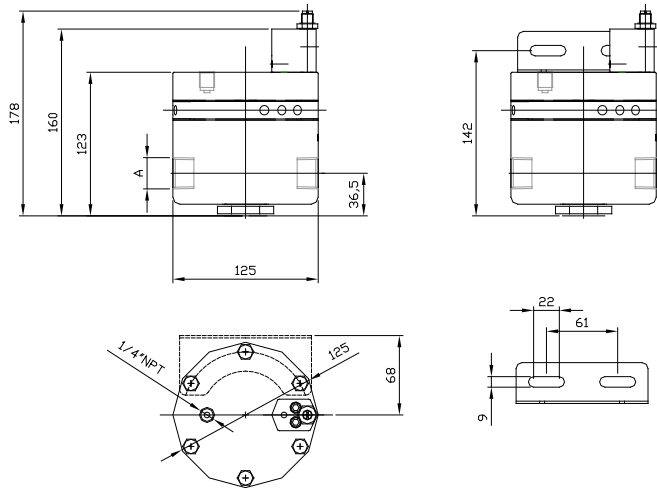
BT-VB16SS/C22A

## Overall dimension

Dimensioni di ingombro

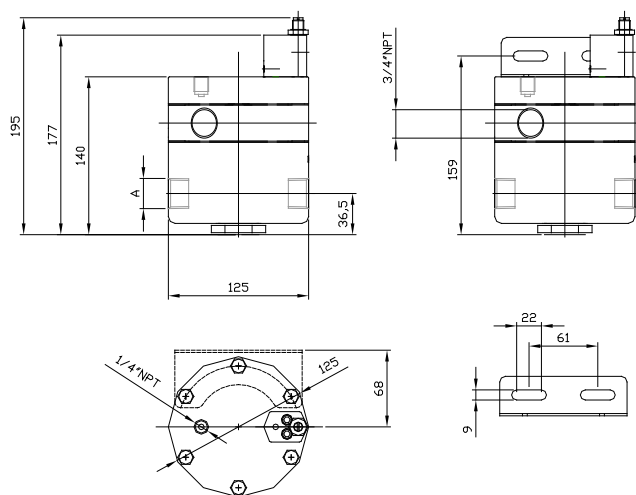
### Free exhaust port

Scarico libero



### Threaded exhaust port

Scarico convogliato



VB12 A=3/4"

VB16 A=1"

## Accessories and repair kit

Accessori e ricambi

Maintenance kit / Kit manutenzione	Items K-VB16-* -SS-** [1"]
Bracket/Staffa	C0740-40

\* Refers to exhaust port: 00= free exhaust; 88 = threaded exhaust

\*\* Refers to seals type: FK→FKM NB→NBR LT→EPDM FL→FVMQ HN→HNBR

## Section B – Control valves Sezione B – Valvole di controllo

**A complete range of balanced spool valves in copper free aluminum alloy or AISI316L with air or mechanical acting for use with air or compatible gas**

- Copper free aluminum alloy or Stainless steel 316L construction
- Standard Sizes 1/4", 3/8", 1/2", 3/4", 1"
- Three (3/2) or five (5/2) ways
- Standard seals in NBR/FKM/HNBR
- High flow features, DN8mm (1/4"), 12mm (3/8", 1/2", 3/4"), 16mm (3/4"), 21(1")
- Pneumatic acting
- Manual acting
- Choice of standard or special mechanical acting
- Max working pressure to 10bar
- Full material traceability
- Certifications to EN10204 3,1
- 100% Italian production
- 100% Tested
- ATEX, SIL3 and EAC certified range



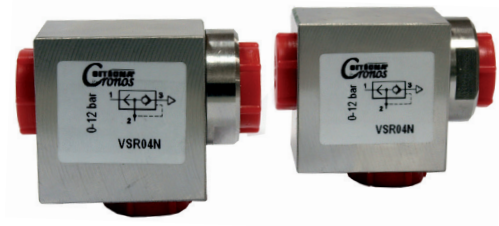
**Una gamma di valvole di controllo a cassetto bilanciato in alluminio esente rame o AISI316L a comando pneumatico o meccanico per uso con aria o gas compatibili**



- Costruzione in alluminio esente rame o AISI316L
- Connessioni std da 1/4", 3/8" e 1/2"
- Versioni a tre (3/2) o cinque (5/2) vie
- Tenute std in NBR/FKM/HNBR
- Elevate portate, passaggio 8mm (1/4"), 12mm (3/8", 1/2", 3/4"), 16mm (3/4") e 21mm (1")
- Azionamento pneumatico
- Azionamento manuale
- Varietà di azionamenti meccanici standard o speciali
- Pressioni di utilizzo 10BAR
- Completa rintracciabilità di tutti i componenti
- Certificati EN10204 3,1, TR CU, SIL3
- Produzione 100% italiana
- Collaudo al 100%
- Certificati ATEX, SIL3 ed EAC

## A complete range of uni or bi directional flow regulators and quick exhaust valves in copper free aluminum alloy or AISI316L for use with air or gas

- Copper free aluminum alloy or Stainless steel 316L construction
- Standard Sizes 1/4", 3/8", 1/2", 3/4", 1"
- Standard seals in NBR, FKM, EPDM, FVMQ, HNBR, PU, Silicone
- Max working pressure to 12bar
- Full material traceability
- Certifications to EN10204 3,1, ATEX, EAC
- Certification to SIL3 (only for quick exhaust)
- 100% Italian production
- 100% Tested



Quick exhaust valves

## Una gamma di regolatori di flusso uni e bi direzionali e valvole di scarico rapido in alluminio esente rame o AISI316 per uso con aria o gas

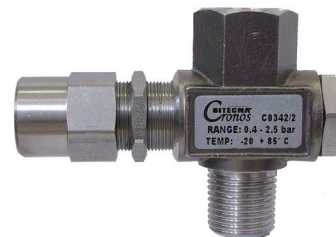
- Costruzione in alluminio esente rame o AISI316L
- Connessioni std da 1/4", 3/8", 1/2", 3/4" e 1"
- Tenute std in NBR, FKM, PU, Silicone
- Elevate portate
- Pressioni di utilizzo 12BAR
- Completa rintracciabilità di tutti i componenti
- Certificati EN10204 3,1, ATEX, EAC
- Scarichi rapidi certificati SIL3
- Produzione 100% italiana
- Collaudo al 100%



Uni directional flow regulator

## Overload protectors in AISI316L for use with air or gas or liquid

- Stainless steel 316L complete construction
- Standard Sizes 1/2" male x female
- Standard seals in NBR, FKM, EPDM
- Max working pressure to 400bar
- Full material traceability
- Certifications to EN10204 3,1, ATEX, EAC
- 100% Italian production
- 100% Tested



Overload protectors

## Limitatori di pressione in AISI316 per uso con aria o gas o liquidi

- Costruzione completamente in AISI316L
- Connessioni std da 1/2" maschio femmina
- Tenute std in NBR, FKM, EPDM
- Affidabilità di funzionamento
- Pressioni di utilizzo da 2 a 400BAR
- Completa rintracciabilità di tutti i componenti
- Certificati EN10204 3,1, ATEX, EAC
- Produzione 100% italiana
- Collaudo al 100%



www.sitecna.eu

## A complete range of single or double lock-up valves in copper free aluminum alloy or AISI316L for use with air or compatible gas

- Copper free aluminum alloy or Stainless steel 316L construction
- Standard Size 1/4" NPT, special Size 1/2" NPT
- Single or double lock-up valve
- Std seals and diaphragms in NBR, EPDM, FKM, FVQM, HNBR
- Max working pressure to 10BAR - 12BAR
- Sensibility 0.1 BAR
- Temperature range from -60°C to +90°C (for 1/2" from -55°C)
- Full material traceability
- Certifications to EN10204 3, ATEX, EAC
- 100% Italian production, 100% Tested



## Una gamma di valvole di lock-up singole o doppie in alluminio esente rame o in AISI316L per uso con aria o gas

- Costruzione in alluminio esente rame o AISI316L
- Connessioni std da 1/4", speciali: 1/2" NPT
- Valvola di lock-up singola o doppia
- Tenute e diaframmi std in NBR, EPDM, FKM, FVMQ, HNBR
- Pressione di utilizzo massima 10BAR - 12BAR
- Sensibilità 0.1 BAR
- Temperatura di utilizzo da -60°C a +90°C (1/2" da -55°C)
- Completa rintracciabilità di tutti i materiali
- Certificati EN10204 3,1, ATEX e EAC
- Produzione 100% italiana, 100% collaudata



## Back pressure regulators and 2 & 3 ways Switch valves in AISI316L

- Stainless steel 316L complete construction
- Standard Sizes 1/4"
- Std seals and diaphragms in NBR, EPDM, FKM, FVQM, HNBR
- Temperature range from -55°C to +90°C
- Full material traceability
- Certifications to EN10204 3, ATEX, EAC
- Certification to SIL3 (only for back pressure)
- 100% Italian production, 100% Tested



## Regolatori di contropressione e valvole di commutazione in AISI316L

- Costruzione completamente in AISI316L
- Connessioni std da 1/4"
- Tenute e diaframmi std in NBR, EPDM, FKM, FVMQ, HNBR
- Temperatura di utilizzo da -55°C a +90°C
- Completa rintracciabilità di tutti i componenti
- Certificati EN10204 3,1, ATEX, EAC
- Regolatori di contropressione erificati SIL3
- Produzione 100% italiana, 100% collaudata



BT-PICV/C21C

## Index - Indice

- p.107 **Ordering information DP serie**  
Informazioni per l'ordine serie DP



- p.108 **Aluminum alloy Air & Mechanical acting directional control Spool Valves**  
Valvole di controllo a cassetto ad azionamento pneumo-meccanico in lega di alluminio

1/4", 3/8", 1/2", 3/4", 1"NPT  
3/2, 5/2

**NEW  
PRODUCT**



- p.117 **Stainless Steel 316L Air & Mechanical acting directional control Spool Valves**  
Valvole di controllo a cassetto ad azionamento pneumo-meccanico in AISI316L

1/4", 3/8", 1/2", 3/4", 1"NPT  
3/2, 5/2,

**NEW  
PRODUCT**



- p.126 **Aluminum alloy pilot actuated poppet valves**  
Valvole pneumatiche ad otturatore in lega di alluminio

3/4", 1"NPT  
3/2

**NEW  
PRODUCT**



- p.128 **Stainless Steel 316L pilot actuated poppet valves**  
Valvole pneumatiche ad otturatore in AISI316L

3/4", 1"NPT  
3/2

**NEW  
PRODUCT**



**p.127 Ordering information LK serie**

Informazioni per l'ordine serie LK



**p.128 Aluminum alloy lock-up valves**

Valvole di lock-up in lega di alluminio

**Single or Double Lock-Up / Lock up singolo o doppio**  
1/4", 1/2" NPT



**p.133 Stainless Steel 316L lock-up valves**

Valvole di lock-up in AISI316L

**Single or Double Lock-Up / Lock up singolo o doppio**  
1/4", 1/2" NPT



**p.138 Aluminum Alloy Quick exhaust valves**

Valvole di scarico rapido in lega di alluminio

1/8", 1/4", 3/8", 1/2", 3/4", 1" NPT



**p.140 Stainless steel 316L Quick exhaust valves**

Valvole di scarico rapido in AISI316L

1/8", 1/4", 3/8", 1/2", 3/4", 1" NPT



**p.142 Aluminum alloy Flow regulators**

Regolatori di flusso in alluminio esente rame

1/4", 3/8", 1/2", 3/4", 1" NPT  
**Uni-Bidirectional - Uni-Bidirezionali**



**p.144 Stainless steel 316L Flow regulators**

Regolatori di flusso in AISI316L

1/4", 3/8", 1/2", 3/4", 1" NPT  
**Uni-Bidirectional - Uni-Bidirezionali**



---

**p.146 Ordering information**

Informazioni per l'ordine

**Back pressure regulators**

Regolatori di back pressure



---

**p.147 Stainless steel 316L back pressure**

Valvole di back pressure AISI316L

**1/4"NPT**



---

**p.149 Ordering information**

Informazioni per l'ordine

**Pneumatic Relays**

Relays Pneumatico



---

**p.150 Stainless steel 316L 2&3 way pneumatic relays**

Relays pneumatico a due e tre vie in AISI316L

**1/4"NPT**



---

**p.152 Stainless steel 316L Overload protector**

Limitatore di pressione tarabile in AISI316L



# Ordering information - Spool valves

Come ordinare - valvole a cassetto

www.sitecna.eu

### TYPE

- DP = Operator: Air pilot / Return: Spring
- DP.....-IR = Operator: Air pilot / Return: Spring + internal relief
- DPP = Operator: Air pilot // Return: Air Pilot
- DP.....-M1 = Operator: Knob push-pull / Return: Spring
- DP.....-M2\* = Operator: Knob push-pull/ Return: Knob push-pull
- DP.....RM = Operator: Air pilot // Return: Spring (manual reset)
- DP.....RM1 = Operator: Air pilot / & manual / Return: Spring (manual reset)
- DP.....W1 = Operator: Roller Lever / Return: Spring (only 1/4"NPT)

DP 32 AL 04N FK -M1

### WAYS

- 32= 3 ways, 2 positions
- 52= 5 ways, 2 positions

### MATERIAL

- SS= 316-316L  
Stainless steel
- AL= Copper free  
aluminum alloy  
with epoxy paint

### SIZE

- 04N= 1/4"NPT (DN8mm)
- 06N= 3/8"NPT (DN12mm)
- 08N= 1/2"NPT (DN12mm)
- 12N= 3/4"NPT (DN12mm)
- 14N= 3/4"NPT (DN16mm)\*\*
- 16N= 1"NPT\*\* (DN21mm)

### DIAPHRAGM & SEALS MATERIAL

- FK= FKM ( WT-25° +90°C )
- NB= NBR ( WT-20° +80°C )
- HN= HNBR (WT -55°+90°C)



### CODE EXAMPLES

DP 32 AL 04N FK -M1

**1/4"NPT, aluminum alloy with epoxy paint, 3 ways 2 positions, knob operated with spring return spool valve, with FKM seals**  
Valvola a cassetto da 1/4"NPT in alluminio esente rame, 3 vie 2 posizioni, azionamento manuale, ritorno a molla, tenute in FKM

DPP 52 SS 08N HN

**1/4"NPT, SS316, 5 ways 2 positions, pilot operated with pilot return spool valve, with HNBR seals**  
Valvola a cassetto da 1/2"NPT in AISI316, 5 vie 2 posizioni, doppio azionamento pneumatico, tenute in HNBR

\* Lockable version available

\*\* Available only Air Pilot/Spring & Air Pilot/Air Pilot versions - No HNBR seals available

## Copper free aluminum alloy 1/4", 3/8", 1/2", 3/4" NPT directional control spool valves - DP serie

Valvole di controllo a cassetto in alluminio esente rame da 1/4", 3/8", 1/2", 3/4" NPT - serie DP

- Suitable for automation equipment to onshore, offshore, pharmaceutical, medical and food applications
- Full material traceability
- 3/2 or 5/2 Functions
- 1/4" (DN8mm) & 3/8", 1/2", 3/4" (DN12mm) size
- Compact sizes
- Suitable for multidirectional flow
- Provided with through-holes in the body
- Suitable for dual pressure application
- Suitable for control and instrument gases
- High flow rate for the compact size of the valve
- ATEX 2014/34/UE II 2G Ex h IIC T6/T5 Gb X
- & approved II 2D Ex h IIIC T85°C/T100°C Db X
- SIL 3 - IEC 61508 (pilot operated models)



- Adatto per automazione in applicazioni marine, petrolchimiche, farmaceutiche, medicali e alimentari
- Completa rintracciabilità dei materiali
- Funzioni 3/2 e 5/2
- Taglie da 1/4" (DN 8mm) e 3/8", 1/2", 3/4" (DN12mm)
- Dimensioni compatte
- Adatte per flussi multidirezionali
- Dotate di fori passanti sul corpo

- Idonee per gas di controllo e strumentale
- Alte portate per le dimensioni compatte della valvola
- Adatte per applicazioni con doppia pressione
- ATEX 2014/34/UE II 2G Ex h IIC T6/T5 Gb X  
II 2D Ex h IIIC T85°C/T100°C Db X
- Approvato ed
- SIL 3 - IEC61508   
(modelli con azionamento pneumatico)

<b>Media / Fluido</b>	<b>Compressed air, inert gases, sweet and sour gases</b>
<b>Port thread / Connessioni</b>	<b>1/4"-3/8"-1/2"-3/4" NPT</b>
<b>Working Pressure</b> Pressione di lavoro	<b>-0.9 -10 bar</b>
<b>Minimum pilot pressure</b> Pressione massima di pilotaggio	<b>2.5bar</b>
<b>Working temperature /</b> Temperatura di esercizio	<b>-20°C up to 80°C (NBR); -25°C up to 90°C (FKM); -55°C + 90°C (HNBR)</b>
<b>Orefice/Orifizio</b>	<b>dn 8 mm (1/4") - dn 12 mm (3/8", 1/2", 3/4")</b>

Air supply must be dry enough to avoid ice formation at temperatures below +2°C (+35°F).

### TYPES

- Operator: Air pilot / Return: Spring
- Operator: Air pilot / Return: Spring + internal relief
- Operator: Air pilot / Return: Pilot
- Operator: Knob push-pull/ Return: Spring
- Operator: Knob push-pull/ Return: Knob push-pull
- Operator: Knob push-pull/ Return: Pneumatic
- Operator: Air pilot / Return: Spring (manual reset)
- Operator: Pilot & manual / Return: Spring (manual res.)
- Operator: Roller Lever / Return: Spring (only 1/4")

### Modelli

- Azionamento: Pneumatico / Ritorno: Molla
- Azion.: Pneum. / Ritorno: Molla + polmonaz. interna
- Azionamento: Pneumatico / Ritorno: Pneumatico
- Azionamento: Pulsante / Ritorno: Molla
- Azionamento: Pulsante / Ritorno: Pulsante
- Azionamento: Pulsante / Ritorno: Pneumatico
- Azionamento: Pneumatico / Ritorno: Molla (manuale)
- Azionamento: Pneum.&manuale /Ritorno: Molla (manuale)
- Azionamento: Leva Rotella / Ritorno: Molla (solo 1/4")

BUILDING MATERIALS	Materiali costruttivi
<b>Body and end adapters in copper free aluminum alloy with epoxy painting</b>	Corpo e adattatori terminali in alluminio esente rame con verniciatura epossidica
<b>Spool in copper free aluminum alloy</b>	Spola in alluminio esente rame
<b>Screws and springs in stainless steel</b>	Viti e molle in acciaio inossidabile
<b>Gasket &amp; seals in elastomer</b>	Guarnizioni e tenute in elastomero

## Operator: Air pilot / Return: Spring (with or without internal relief)

Azionamento: Pneumatico / Ritorno: molla (con o senza polmonazione interna)

### 1/4" NPT Overall dimension & pneumatic diaphragm

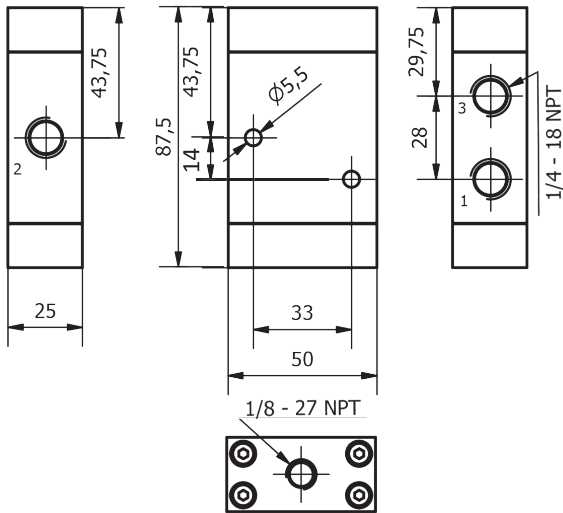
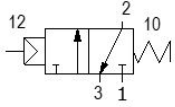
Dimensioni di ingombro taglia 1/4" NPT

Example code:

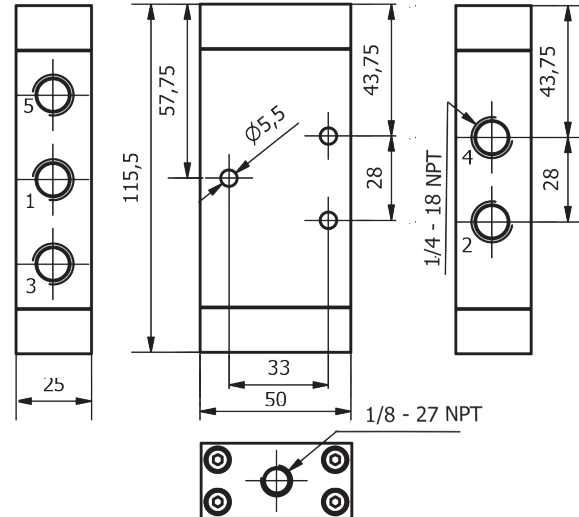
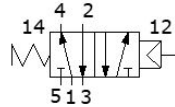
DP32AL04NNB

DP32AL04NNB-IR

3/2



5/2



### 1/2" NPT Overall dimension & pneumatic diaphragm

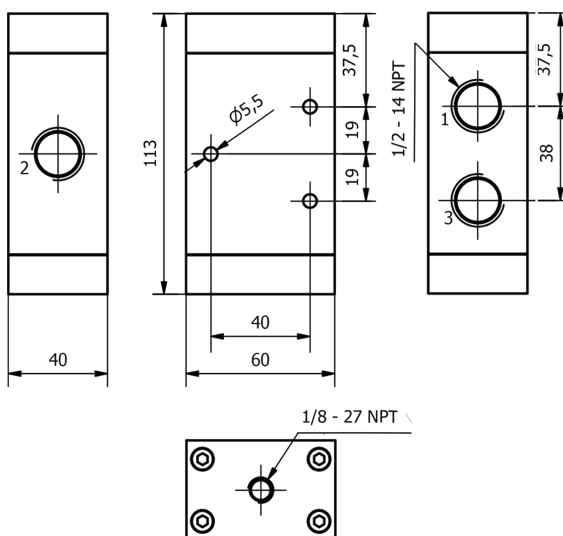
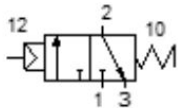
Dimensioni di ingombro taglia 1/2" NPT

Example code:

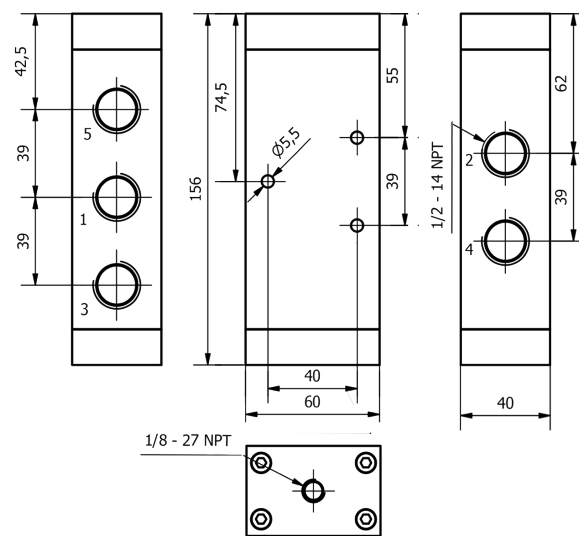
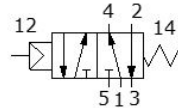
DP32AL08NNB

DP32AL08NNB-IR

3/2



5/2



**Operator: Air pilot / Return: Pilot**

Azionamento: Pneumatico / Ritorno: pneumatico

**1/4" NPT Overall dimension & pneumatic diaphragm**

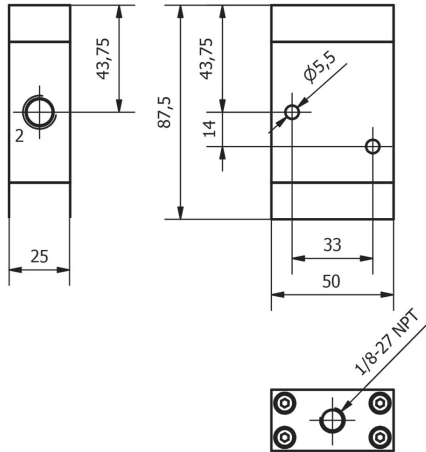
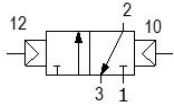
Dimensioni di ingombro taglia 1/4"NPT

**Example code:**

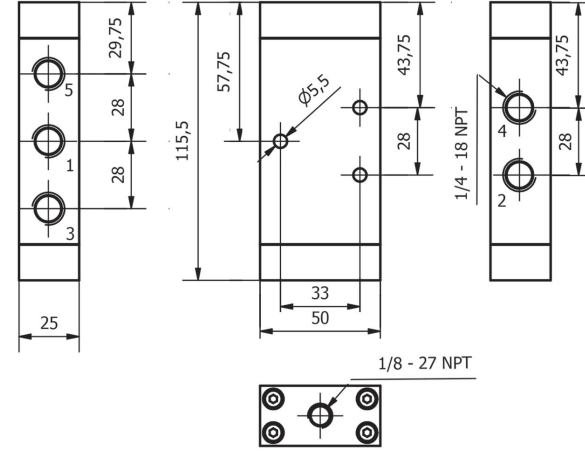
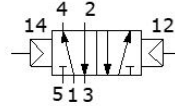
DPP32AL04NNB

www.sitecna.eu

3/2



5/2



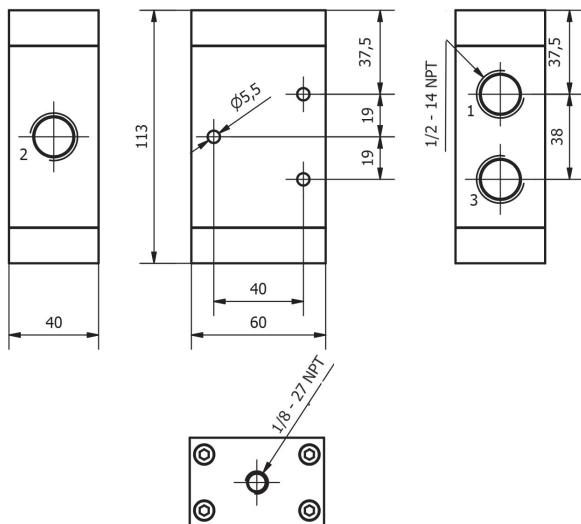
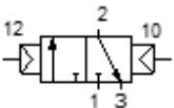
**1/2" NPT Overall dimension & pneumatic diaphragm**

Dimensioni di ingombro taglia 1/2"NPT

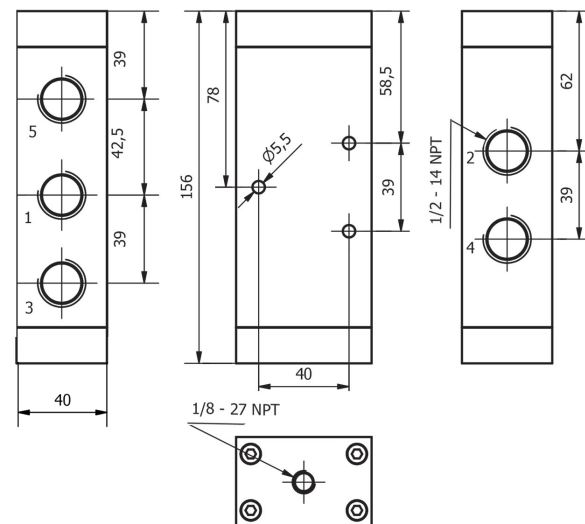
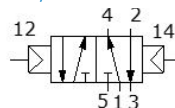
**Example code:**

DPP32AL08NNB

3/2



5/2



BT-DPAL/C24C



## Operator: Knob push-pull / Return: Spring

Azionamento: Pulsante palmo / Ritorno: molla

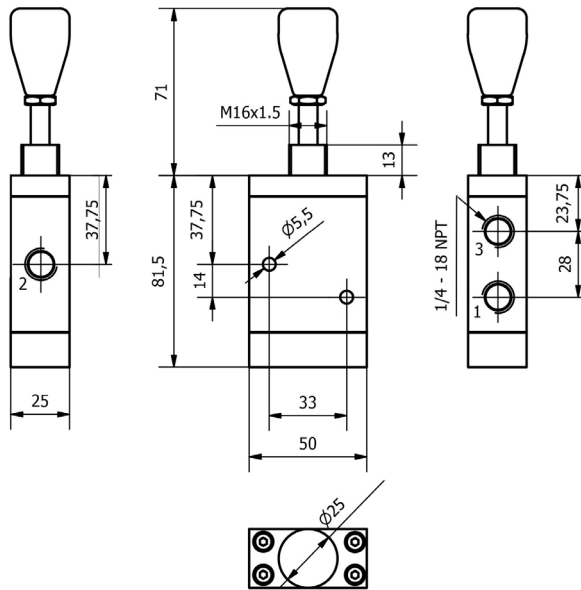
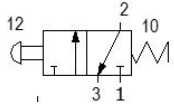
### 1/4" NPT Overall dimension & pneumatic diaphragm

Dimensioni di ingombro taglia 1/4"NPT

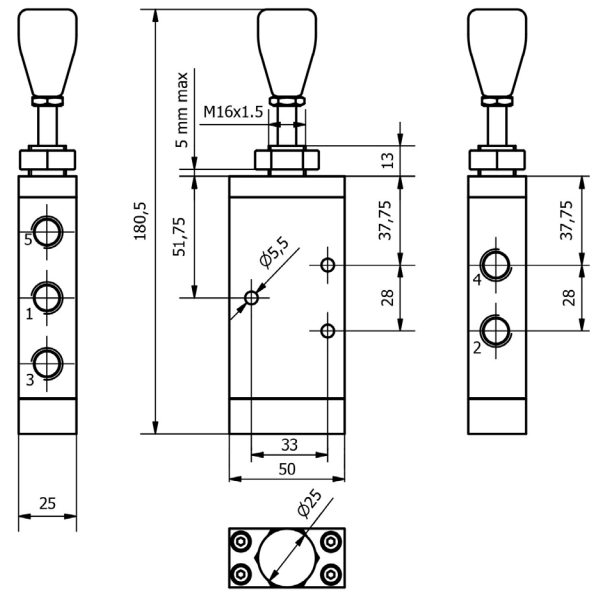
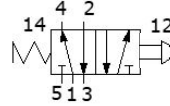
Example code:

DP32AL04NNB-M1

3/2



5/2



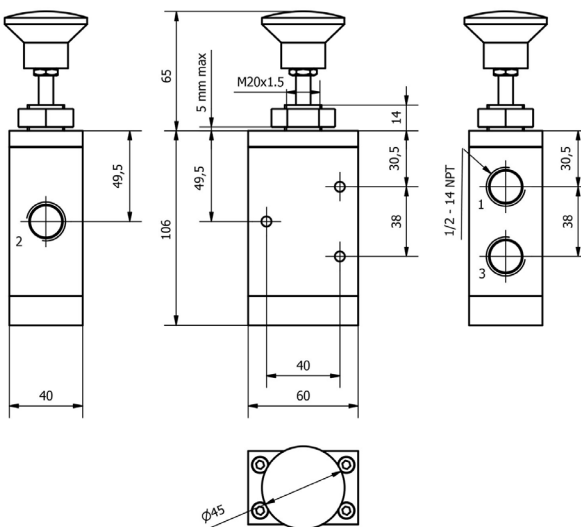
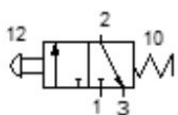
### 1/2" NPT Overall dimension & pneumatic diaphragm

Dimensioni di ingombro taglia 1/2"NPT

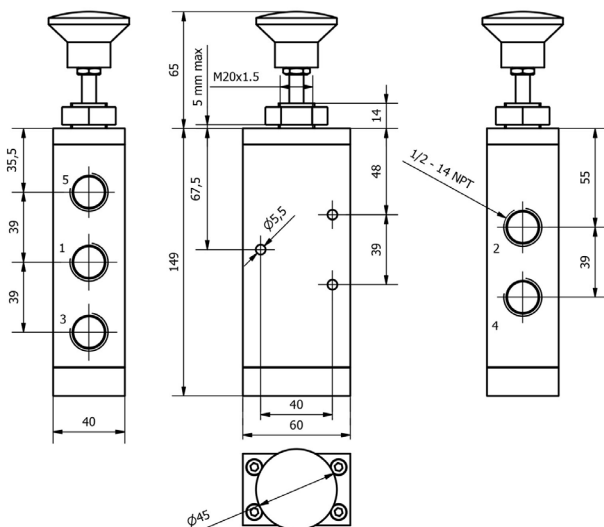
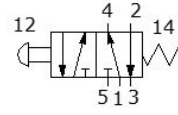
Example code:

DP32AL08NNB-M1

3/2



5/2



**Operator: Knob push-pull/ Return: Knob push-pull**

Azionamento: Pulsante palmo / Ritorno: pulsante palmo

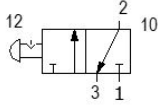
**1/4" NPT Overall dimension & pneumatic diaphragm**

Dimensioni di ingombro taglia 1/4"NPT

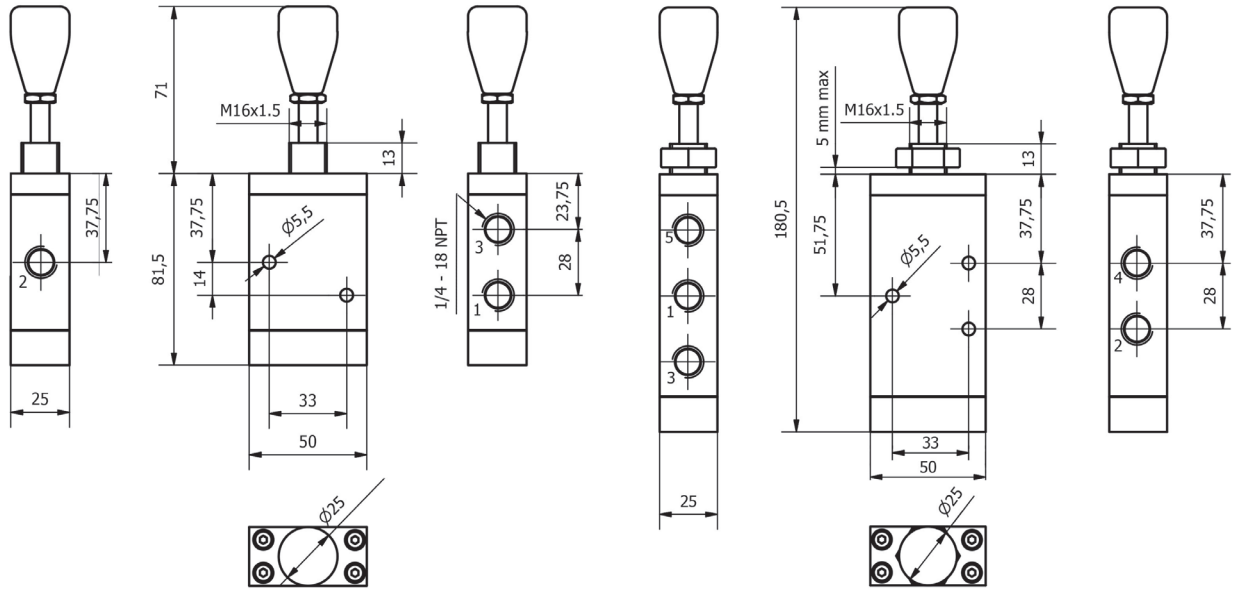
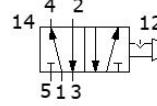
**Example code:**

DP32ALNB04N-M2

3/2



5/2



NB: Lockable version available

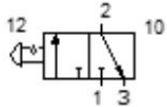
**1/2" NPT Overall dimension & pneumatic diaphragm**

Dimensioni di ingombro taglia 1/2"NPT

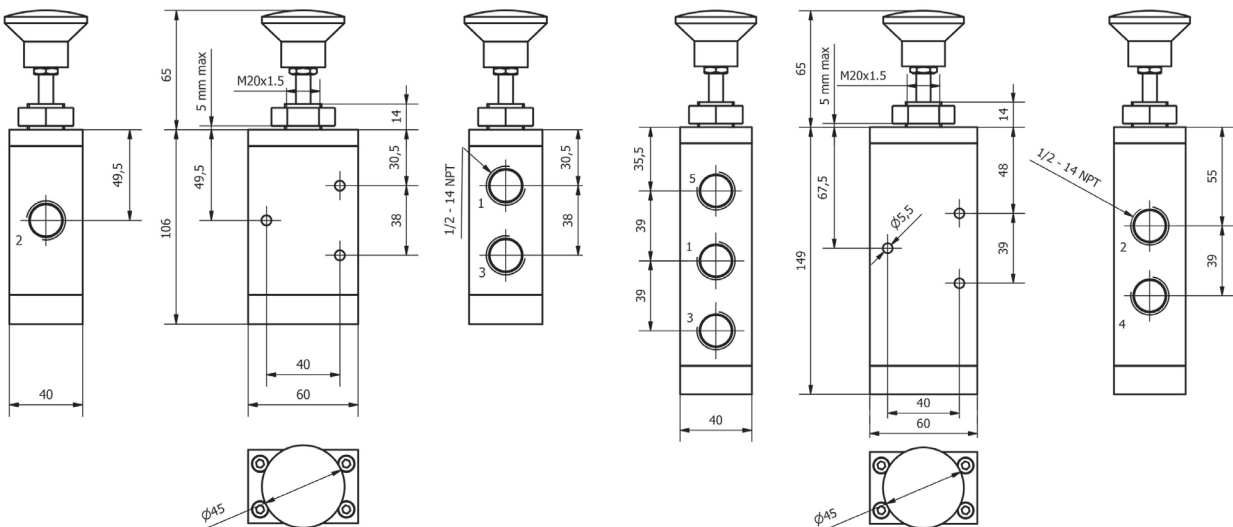
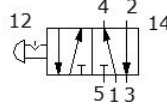
**Example code:**

DP32AL08NNB-M2

3/2



5/2



## Operator: Knob push-pull/ Return: pneumatic

Azionamento: Pulsante palmo / Ritorno: pneumatico

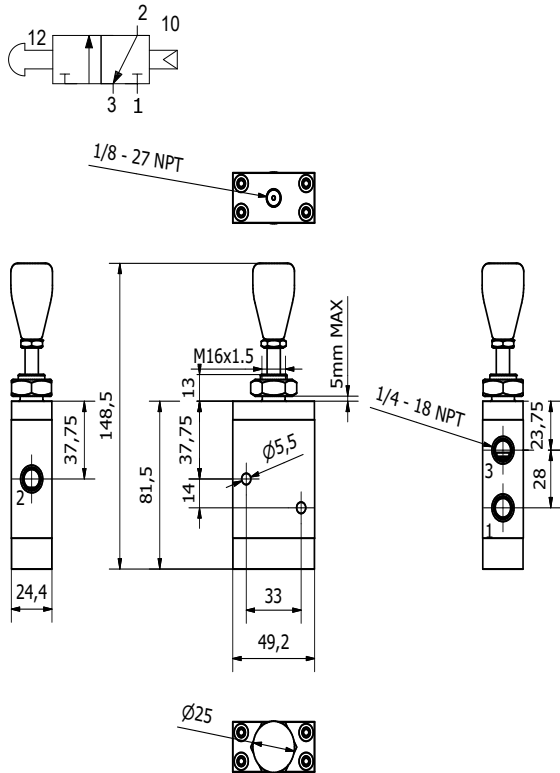
### 1/4" NPT Overall dimension & pneumatic diaphragm

Dimensioni di ingombro taglia 1/4"NPT

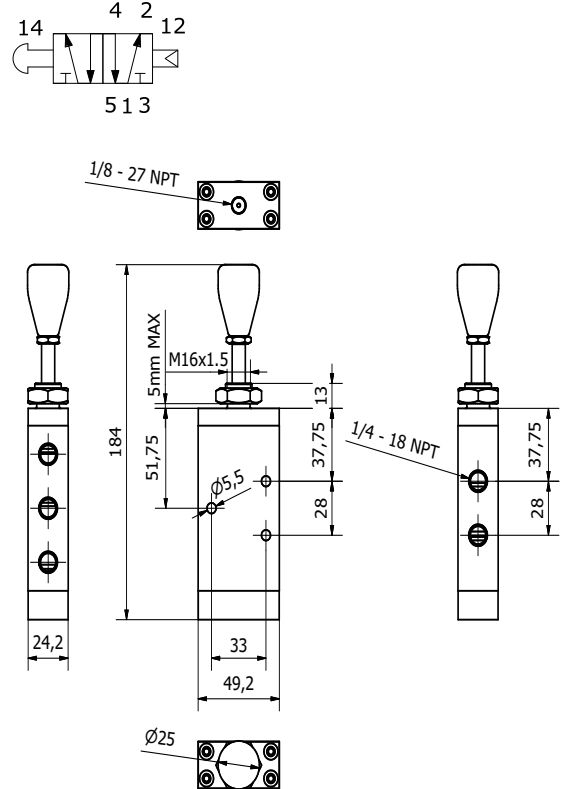
Example code:

DP32SS04NNB-M3

3/2



5/2



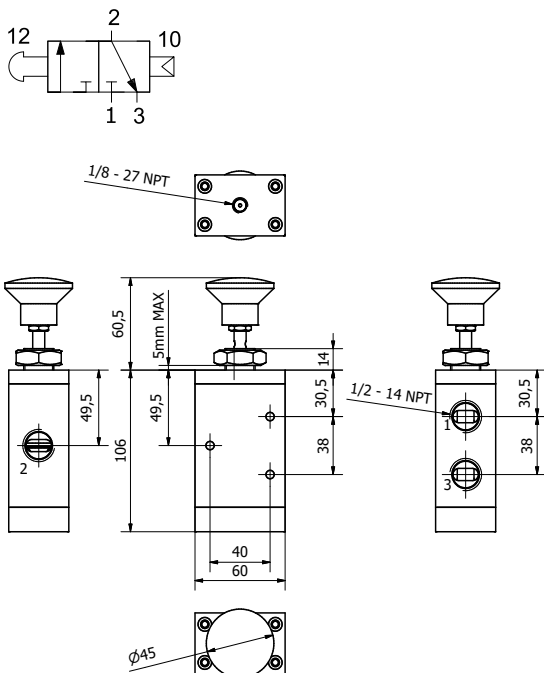
### 1/2" NPT Overall dimension & pneumatic diaphragm

Dimensioni di ingombro taglia 1/2"NPT

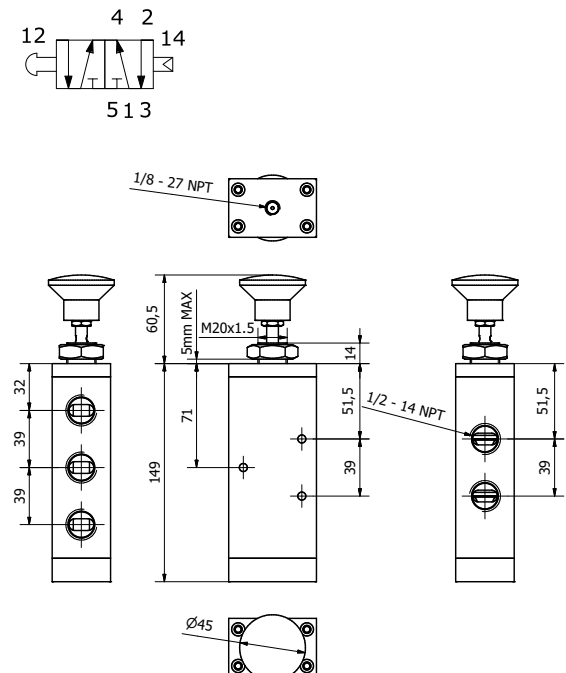
Example code:

DP32SS08NNB-M3

3/2



5/2



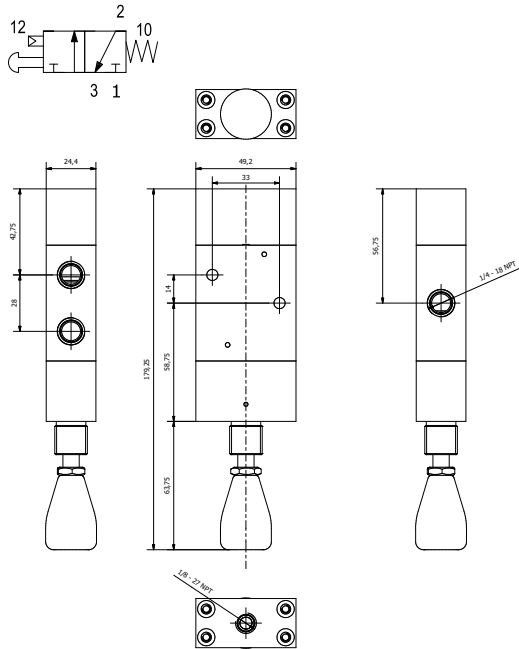
## Operator: Air pilot / Return: Spring (manual reset)

Azionamento: Pneumatico / Ritorno: molla (riarmo manuale)

### Overall dimension

Dimensioni di ingombro

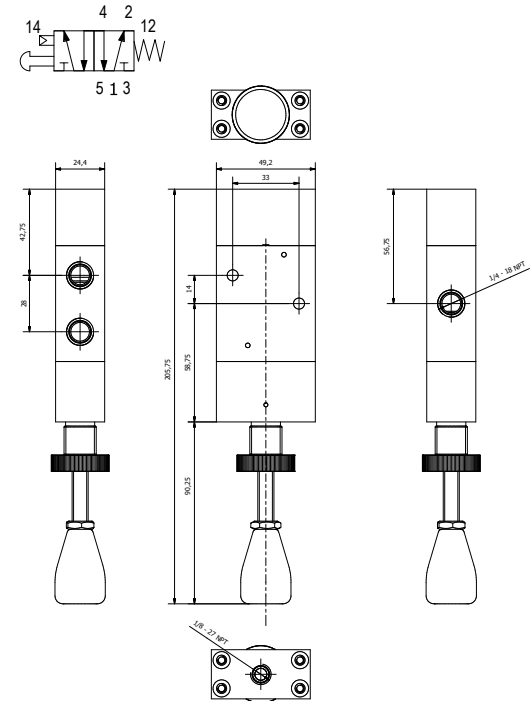
3/2



### Example code:

DP32SS04NNB-RM

5/2



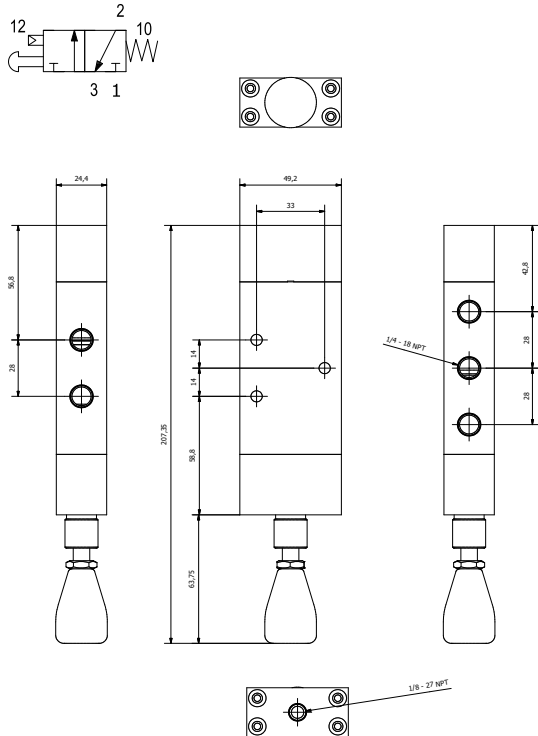
## Operator: Air pilot & manual / Return: Spring (manual reset)

Azionamento: Pneumatico e manuale / Ritorno: molla (riarmo manuale)

### Overall dimension

Dimensioni di ingombro

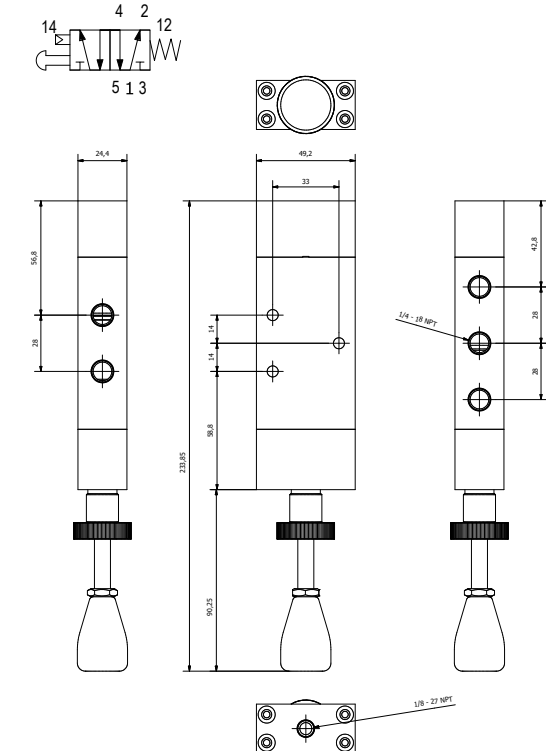
3/2



### Example code:

DP32SS04NNB-RM1

5/2



**Operator: Roller lever / Return: Spring**

Azionamento: Leva rotella / Ritorno: molla

**Overall dimension & pneumatic diaphragm**

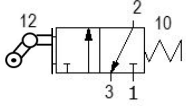
Dimensioni di ingombro

**Example code:**

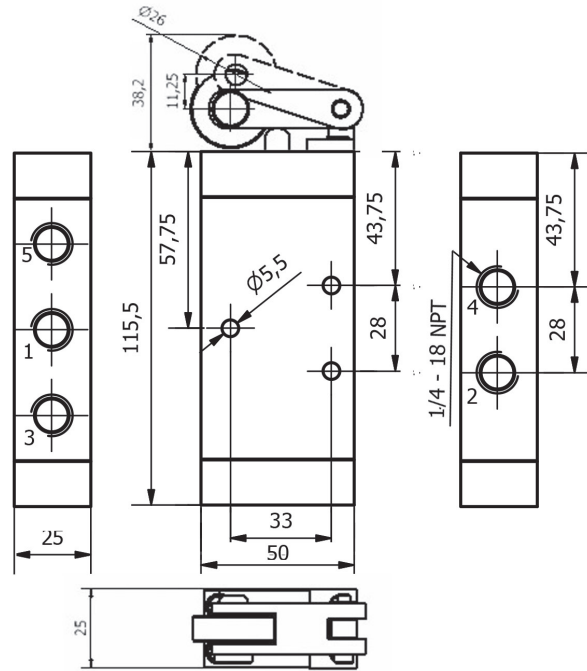
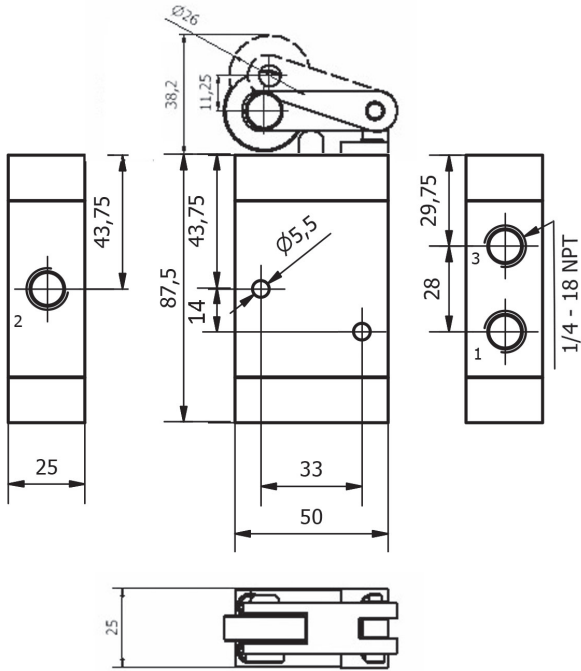
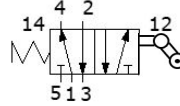
DP32AL04NNB-W1

www.sitecna.eu

3/2



5/2



## Copper free aluminum alloy 3/4", 1"NPT directional control spool valves - DP serie

Valvole di controllo a cassetto in alluminio esente rame da 3/4", 1"NPT - serie DP

www.sitecna.eu

- Suitable for automation equipment to onshore, offshore, pharmaceutical, medical and food applications
- Full material traceability
- 3/2 or 5/2 Functions
- 3/4" & 1" (DN21mm) size
- Suitable for multidirectional flow
- Provided with through-holes in the body
- Suitable for dual pressure application
- Suitable for control and instrument gases
- High flow rate for the compact size of the valve
- ATEX 2014/34/UE II 2G Ex h IIC T6/T5 Gb X\*
- II 2D Ex h IIIC T85°C/T100°C Db X
- & approved\*
- SIL 3 - IEC 61508 (pilot operated models) \*



- Adatto per automazione in applicazioni marine, petrolchimiche, farmaceutiche, medicali e alimentari
- Completa rintracciabilità dei materiali
- Funzioni 3/2 e 5/2
- Taglie da 3/4" e 1" (DN21mm)
- Adatte per flussi multidirezionali
- Dotate di fori passanti sul corpo
- Idonee per gas di controllo e strumentale

- Alte portate per le dimensioni compatte della valvola
- Adatte per applicazioni con doppia pressione
- ATEX 2014/34/UE II 2G Ex h IIC T6/T5 Gb X\*
- II 2D Ex h IIIC T85°C/T100°C Db X
- Approvato ed \*
- SIL 3 - IEC61508 \*  
(modelli con azionamento pneumatico)

<b>Media / Fluido</b>	<b>Compressed air, inert gases, sweet and sour gases</b>
<b>Port thread / Connessioni</b>	<b>3/4", 1"NPT</b>
<b>Working Pressure</b> Pressione di lavoro	<b>12 bar</b>
<b>Minimum pilot pressure</b> Pressione minima di pilotaggio	<b>2.5bar</b>
<b>Working temperature /</b> Temperatura di esercizio	<b>-20°C up to 80°C (NBR); -25°C up to 90°C (FKM); -55°C + 90°C (HNBR)</b>
<b>Orefice/Orifizio</b>	<b>dn 16 mm (3/4") dn 21 mm (1")</b>

Air supply must be dry enough to avoid ice formation at temperatures below +2°C (+35°F).

### TYPES

- Operator: Air pilot / Return: Spring
- Operator: Air pilot / Return: Pilot

### Modelli

- Azionamento: Pneumatico / Ritorno: Molla
- Azionamento: Pneumatico / Ritorno: Pneumatico

BUILDING MATERIALS	Materiali costruttivi
Body and end adapters in copper free aluminum alloy with epoxy painting	Corpo e adattatori terminali in alluminio esente rame con verniciatura epossidica
Spool in copper free aluminum alloy	Spola in alluminio esente rame
Screws and springs in stainless steel	Viti e molle in acciaio inossidabile
Gasket & seals in elastomer	Guarnizioni e tenute in elastomero

\* Pending

BT-DP16AL/C24A

**Overall dimension & pneumatic diaphragm**

Dimensioni di ingombro e schema pneumatico

www.sitecna.eu

**Operator: Air pilot / Return: Spring**

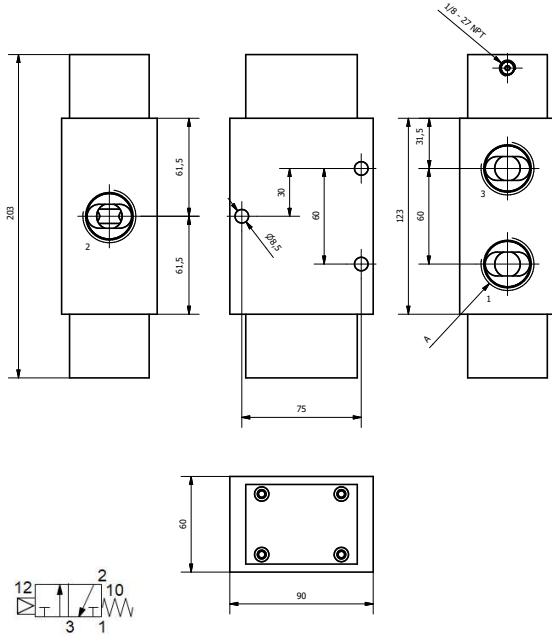
Azionamento: Pneumatico / Ritorno: molla

**Example code:**

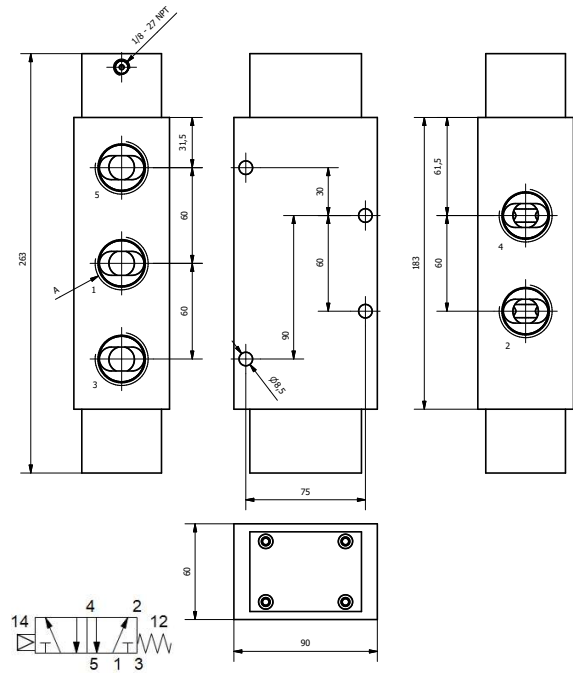
A= 3/4" : DP32AL14NNB

A= 1" : DP32AL16NNB

3/2



5/2



**Operator: Air pilot / Return: Pilot**

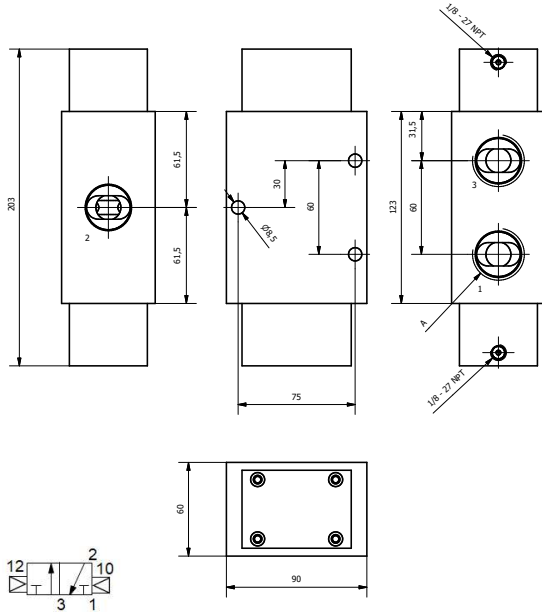
Azionamento: Pneumatico / Ritorno: pneumatico

**Example code:**

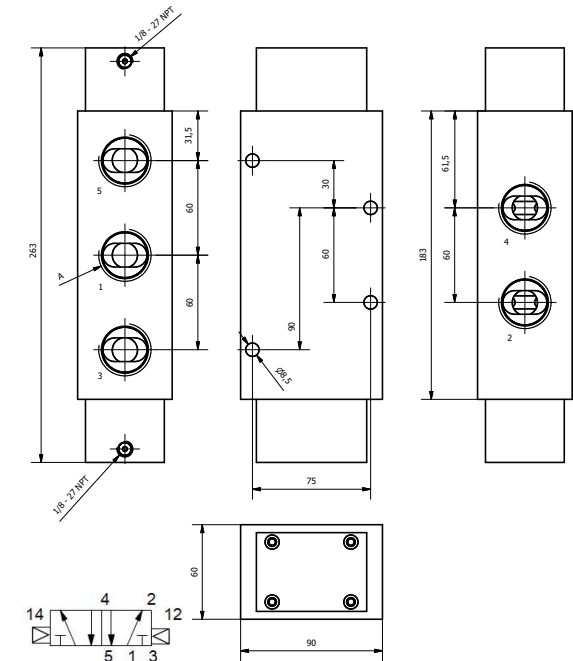
A= 3/4" : DPP32AL14NNB

A= 1" : DPP32AL16NNB

3/2







5/2



BT-DP16AL/C24B





## AISI316L 1/4", 3/8", 1/2", 3/4" NPT directional control spool valves - DP serie

Valvole di controllo direzione a cassetto in AISI316L da 1/4", 3/8", 1/2", 3/4" NPT

- Suitable for automation equipment to onshore, offshore, pharmaceutical, medical and food applications
- Full material traceability
- 3/2 or 5/2 Functions
- 1/4" (DN8mm) & 3/8", 1/2", 3/4" (DN12mm) size
- SS316L/316 full construction
- Suitable for multidirectional flow
- Provided with through-holes in the body
- Suitable for dual pressure application
- Suitable for control and instrument gases
- High flow rate for the compact size of the valve
- ATEX 2014/34/UE  II 2G Ex h IIC T6/T5 Gb X
-  &  approved II 2D Ex h IIIC T85°C/T100°C Db X
- SIL 3 - IEC 61508 (pilot operated models) 



- Adatto per automazione in applicazioni marine, petrolchimiche, farmaceutiche, medicali e alimentari
- Completa rintracciabilità dei materiali
- Funzioni 3/2 e 5/2
- Taglie da 1/4" (DN 8mm) e 3/8", 1/2", 3/4" (DN12mm)
- Costruzione in AISI316L/AISI316
- Adatte per flussi multidirezionali
- Dotate di fori passanti sul corpo

- Idonee per gas di controllo e strumentale
- Alte portate per le dimensioni compatte della valvola
- Adatte per applicazioni con doppia pressione
- ATEX 2014/34/UE  II 2G Ex h IIC T6/T5 Gb X  
II 2D Ex h IIIC T85°C/T100°C Db X
- Approvato  ed 
- SIL 3 - IEC61508   
(modelli con azionamento pneumatico)

Media / Fluido	Compressed air, inert gases, sweet and sour gases
Port thread / Conessioni	1/4"-3/8"-1/2"-3/4" NPT
Working Pressure Pressione di lavoro	-0.9 -10 bar
Minimum pilot pressure Pressione massima di pilotaggio	2.5bar
Working temperature / Temperatura di esercizio	-20°C up to 80°C (NBR); -25°C up to 90°C (FKM); -55°C + 90°C (HNBR)
Orefice/Orifizio	dn 8 mm (1/4") - dn 12 mm (3/8", 1/2", 3/4")

Air supply must be dry enough to avoid ice formation at temperatures below +2°C (+35°F).

### TYPES

- Operator: Air pilot / Return: Spring
- Operator: Air pilot / Return: Spring + internal relief
- Operator: Air pilot / Return: Pilot
- Operator: Knob push-pull/ Return: Spring
- Operator: Knob push-pull/ Return: Knob push-pull
- Operator: Knob push-pull/ Return: Pneumatic
- Operator: Air pilot / Return: Spring (manual reset)
- Operator: Pilot & manual / Return: Spring (manual res.)
- Operator: Roller Lever / Return: Spring (only 1/4")

### Modelli

- Azionamento: Pneumatico / Ritorno: Molla
- Azion.: Pneum. / Ritorno: Molla + polmonaz. interna
- Azionamento: Pneumatico / Ritorno: Pneumatico
- Azionamento: Pulsante / Ritorno: Molla
- Azionamento: Pulsante / Ritorno: Pulsante
- Azionamento: Pulsante / Ritorno: Pneumatico
- Azionamento: Pneumatico / Ritorno: Molla (manuale)
- Azionamento: Pneum.&manuale /Ritorno: Molla (manuale)
- Azionamento: Leva Rotella / Ritorno: Molla (solo 1/4")

<b>BUILDING MATERIALS</b>	<b>Materiali costruttivi</b>
Body, end adapters, spool in 316L stainless steel	Corpo, adattatori terminali e spola in acciaio inossidabile AISI316L
Screws and springs in stainless steel	Viti e molle in acciaio inossidabile
Gasket & seals in elastomer	Guarnizioni e tenute in elastomero



**Operator: Air pilot / Return: Spring (with or without internal relief)**

Azionamento: Pneumatico / Ritorno: molla (con o senza polmonazione interna)

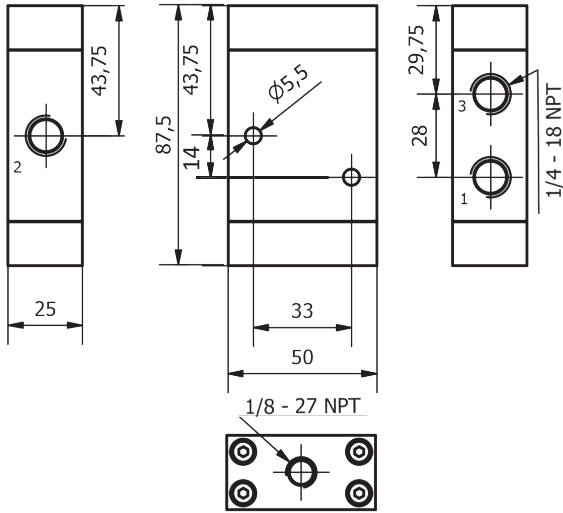
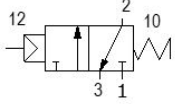
**1/4" NPT Overall dimension & pneumatic diaphragm**

Dimensioni di ingombro taglia 1/4"NPT

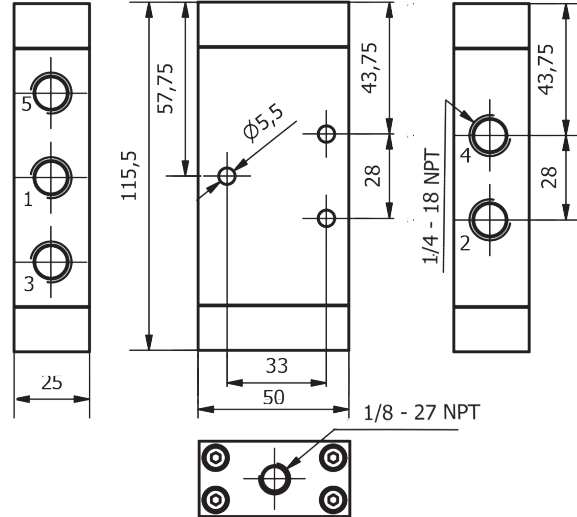
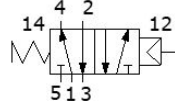
**Example code:**

DP32SS04NNB  
DP32SS04NNB-IR

3/2



5/2



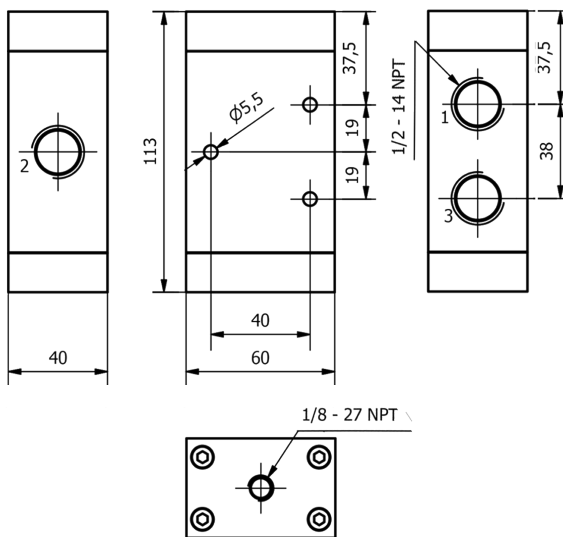
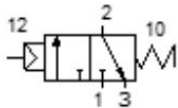
**1/2" NPT Overall dimension & pneumatic diaphragm**

Dimensioni di ingombro taglia 1/2"NPT

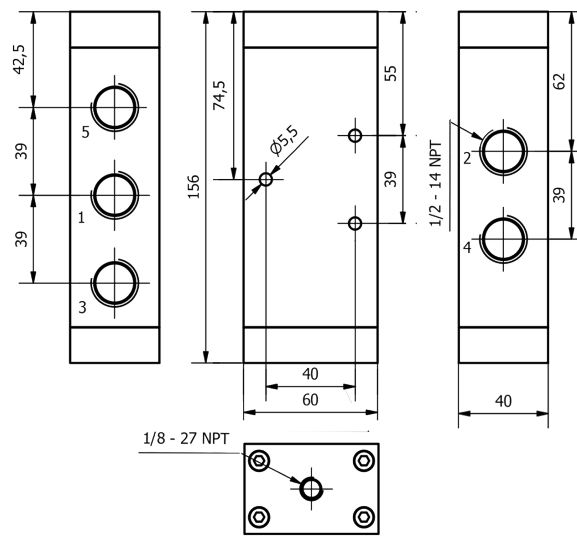
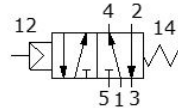
**Example code:**

DP32SS08NNB  
DP32SS08NNB-IR

3/2



5/2



BT-DPSS/C24B

## Operator: Air pilot / Return: Pilot

Azionamento: Pneumatico / Ritorno: pneumatico

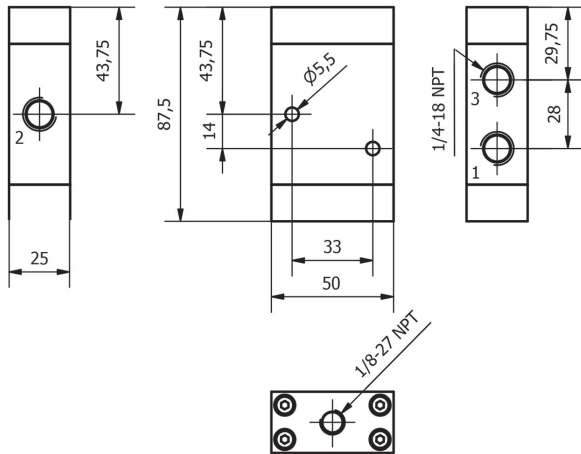
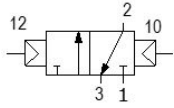
### 1/4" NPT Overall dimension & pneumatic diaphragm

Dimensioni di ingombro taglia 1/4"NPT

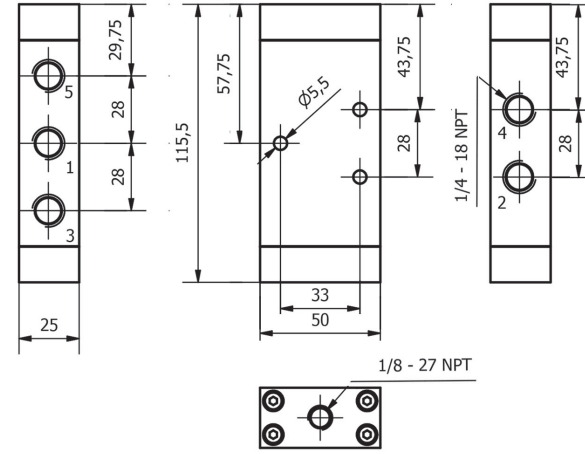
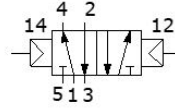
Example code:

DPP32SS04NNB

3/2



5/2



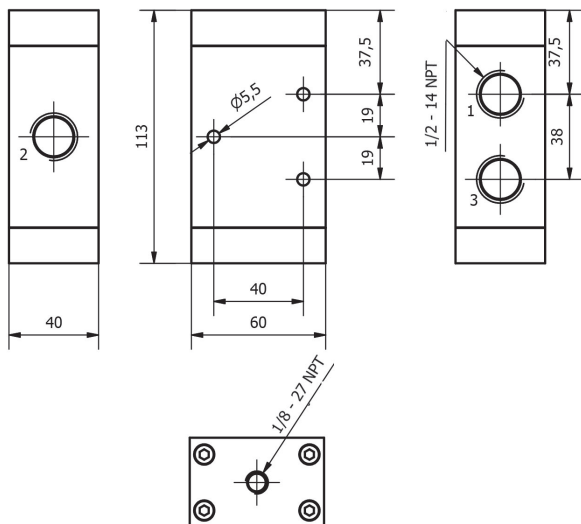
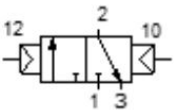
### 1/2" NPT Overall dimension & pneumatic diaphragm

Dimensioni di ingombro taglia 1/2"NPT

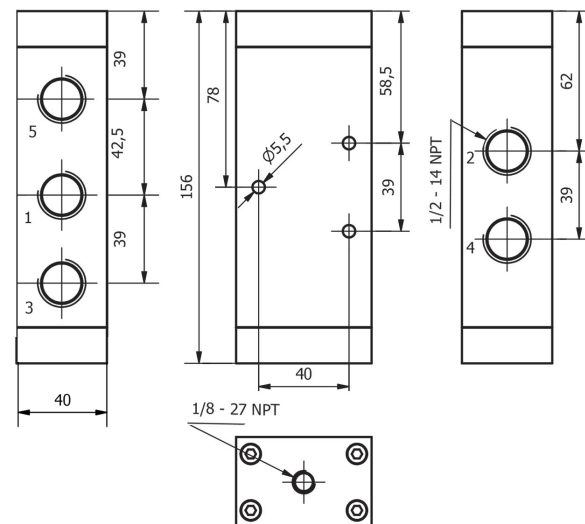
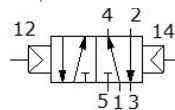
Example code:

DPP32SS08NNB

3/2



5/2



**Operator: Knob push-pull / Return: Spring**

Azionamento: Pulsante palmo / Ritorno: molla

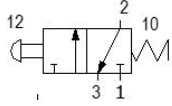
**1/4" NPT Overall dimension & pneumatic diaphragm**

Dimensioni di ingombro taglia 1/4"NPT

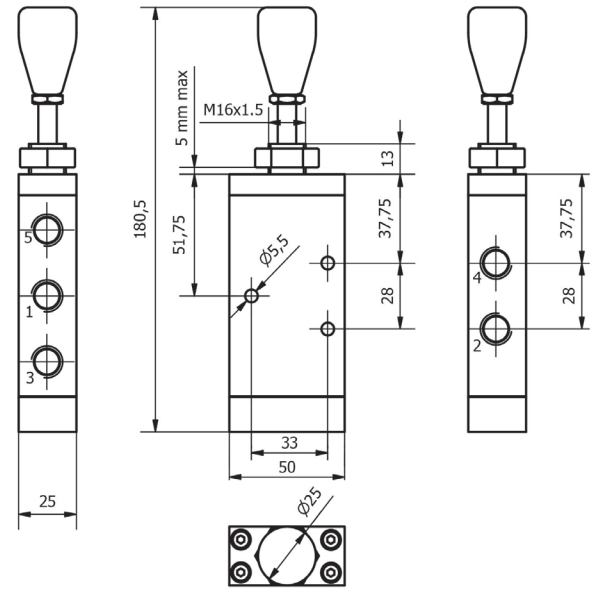
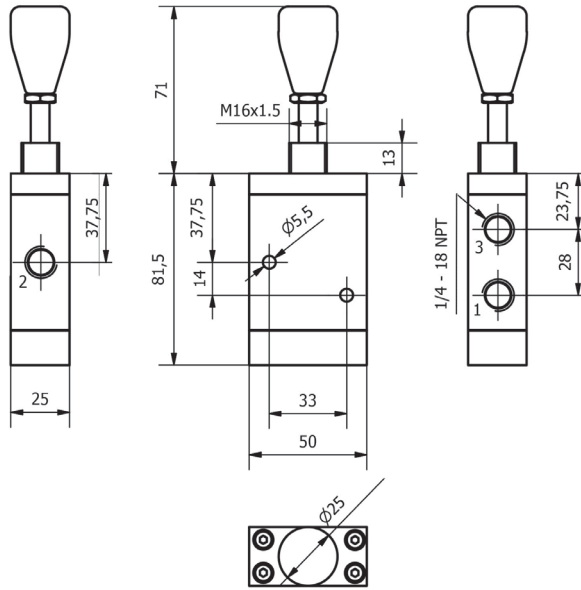
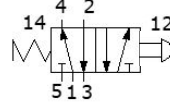
**Example code:**

DP32SS04NNB-M1

3/2



5/2



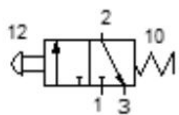
**1/2" NPT Overall dimension & pneumatic diaphragm**

Dimensioni di ingombro taglia 1/2"NPT

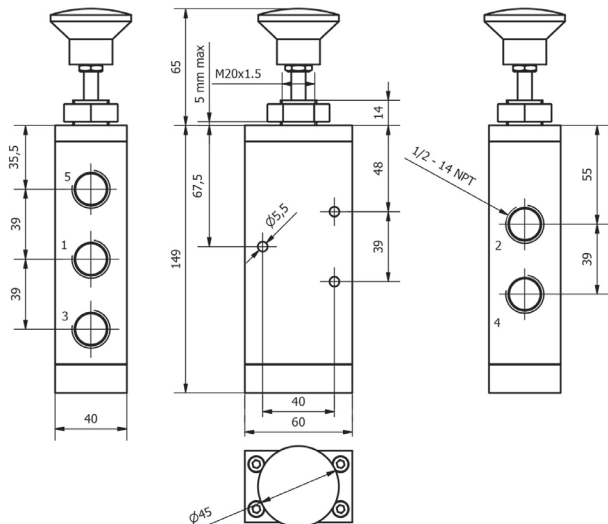
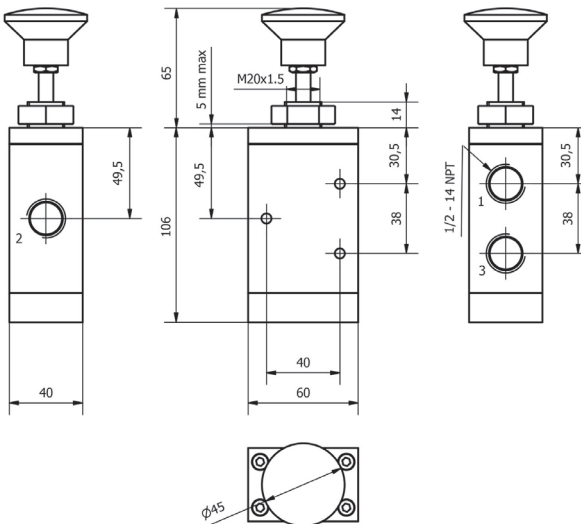
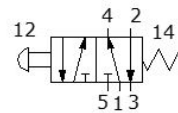
**Example code:**

DP32SS08NNB-M1

3/2



5/2



## Operator: Knob push-pull/ Return: Knob push-pull

Azionamento: Pulsante palmo / Ritorno: pulsante palmo

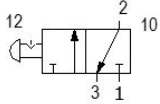
### 1/4" NPT Overall dimension & pneumatic diaphragm

Dimensioni di ingombro taglia 1/4"NPT

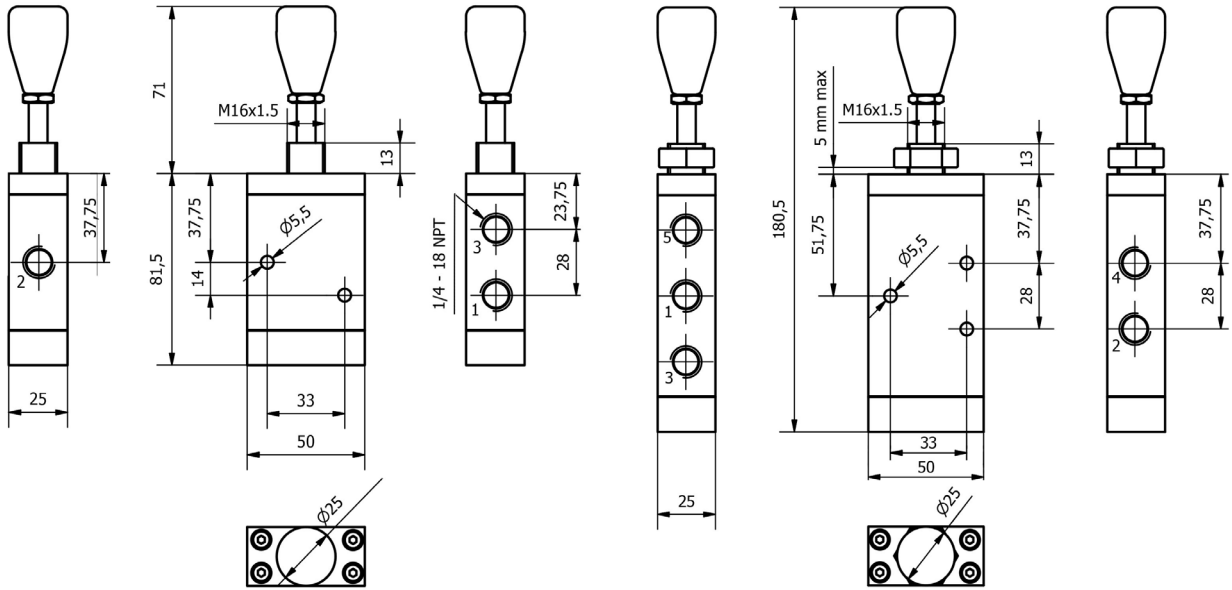
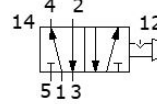
Example code:

DP32SS04NNB-M2

3/2



5/2



NB: Lockable version available

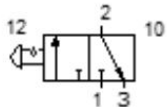
### 1/2" NPT Overall dimension & pneumatic diaphragm

Dimensioni di ingombro taglia 1/2"NPT

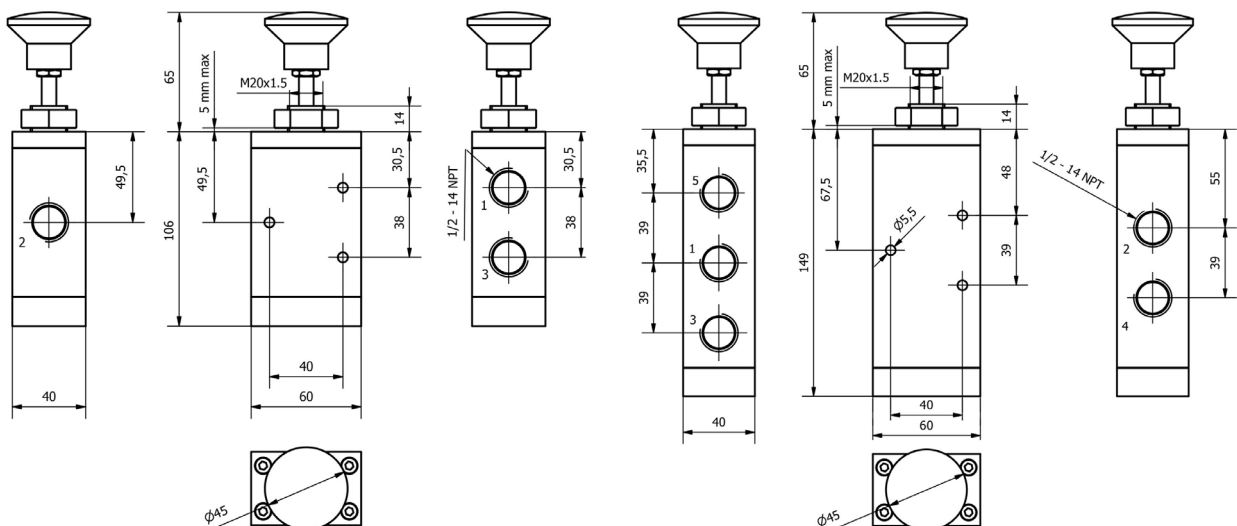
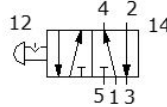
Example code:

DP32SS08NNB-M2

3/2



5/2



## Operator: Knob push-pull/ Return: pneumatic

Azionamento: Pulsante palmo / Ritorno: pneumatico

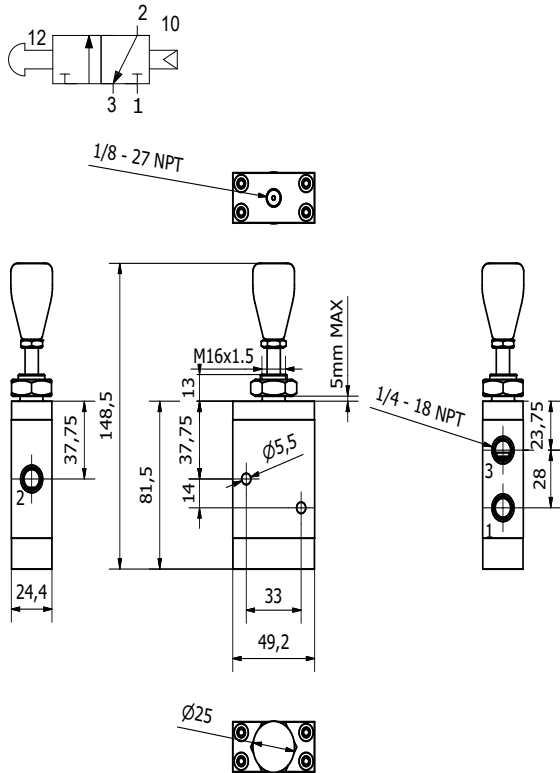
### 1/4" NPT Overall dimension & pneumatic diaphragm

Dimensioni di ingombro taglia 1/4"NPT

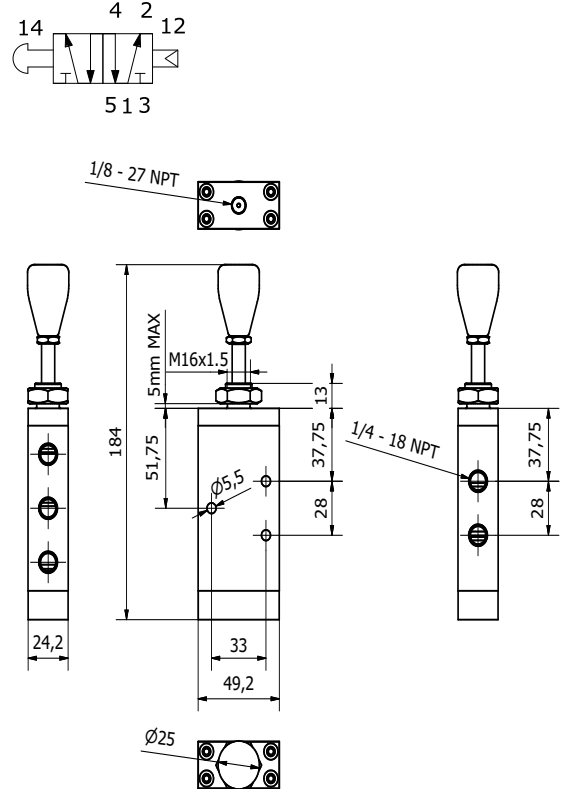
Example code:

DP32SS04NNB-M3

3/2



5/2



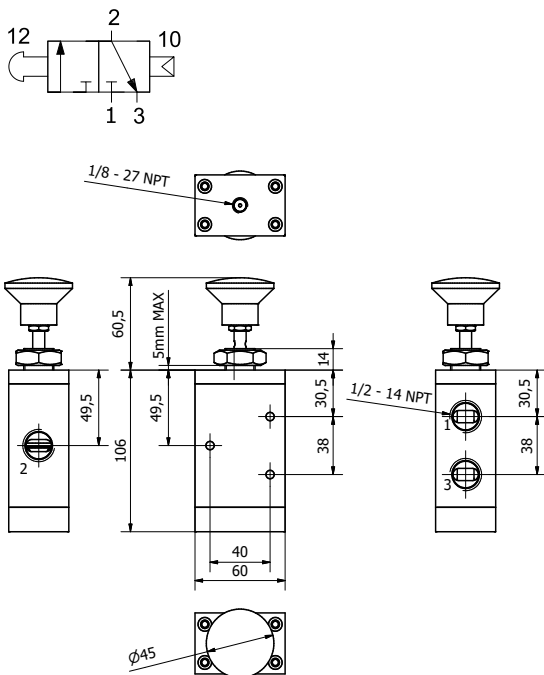
### 1/2" NPT Overall dimension & pneumatic diaphragm

Dimensioni di ingombro taglia 1/2"NPT

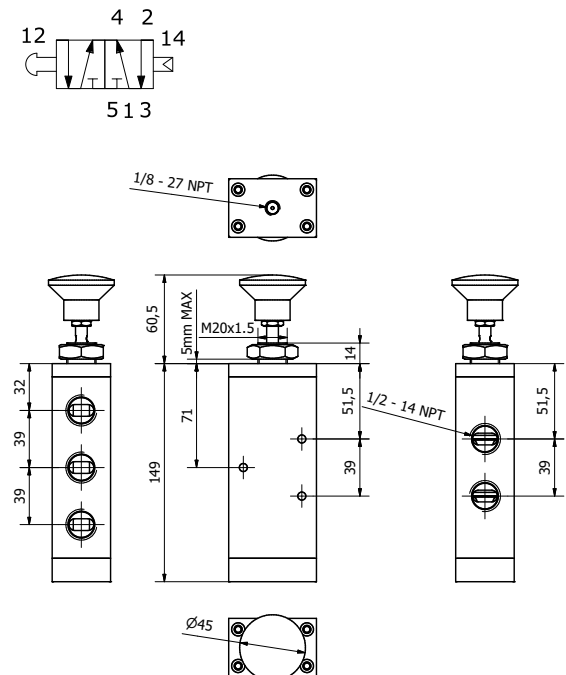
Example code:

DP32SS08NNB-M3

3/2



5/2



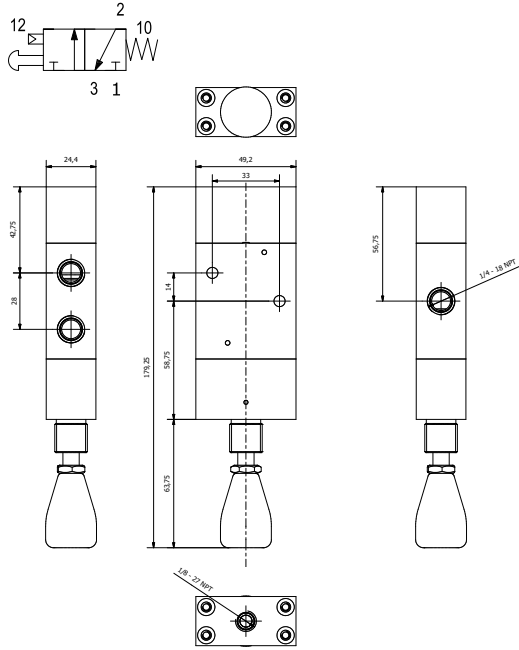
### Operator: Air pilot / Return: Spring (manual reset)

Azionamento: Pneumatico / Ritorno: molla (riarmo manuale)

#### Overall dimension

Dimensioni di ingombro

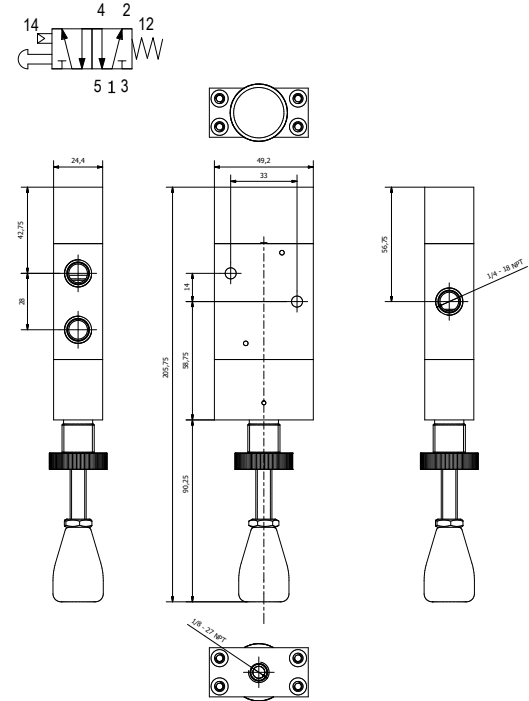
3/2



Example code:

DP32SS04NNB-RM

5/2



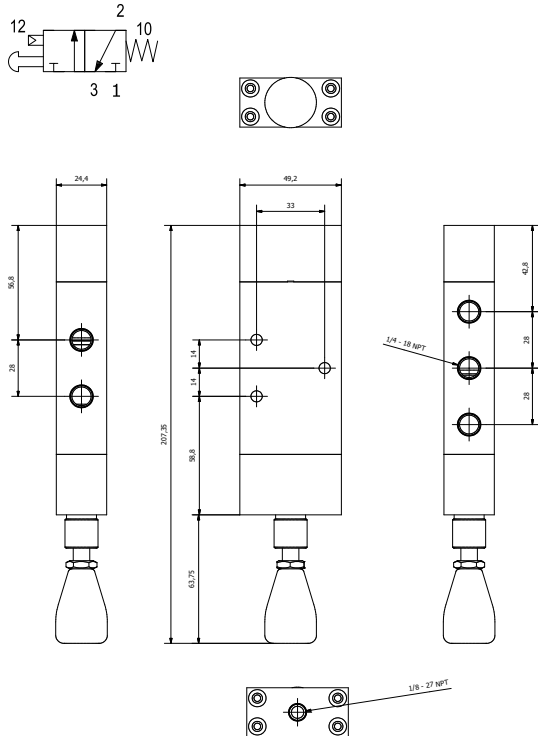
### Operator: Air pilot & manual / Return: Spring (manual reset)

Azionamento: Pneumatico e manuale / Ritorno: molla (riarmo manuale)

#### Overall dimension

Dimensioni di ingombro

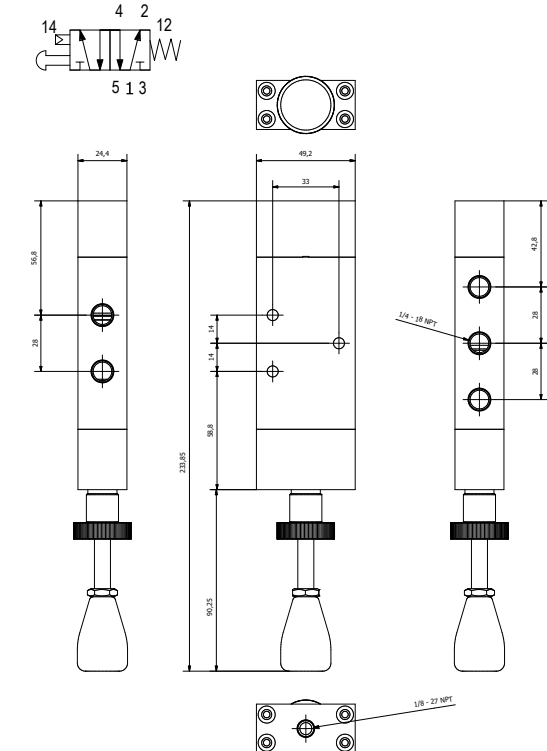
3/2



Example code:

DP32SS04NNB-RM1

5/2



## Operator: Roller lever / Return: Spring

Azionamento: Leva rotella / Ritorno: molla

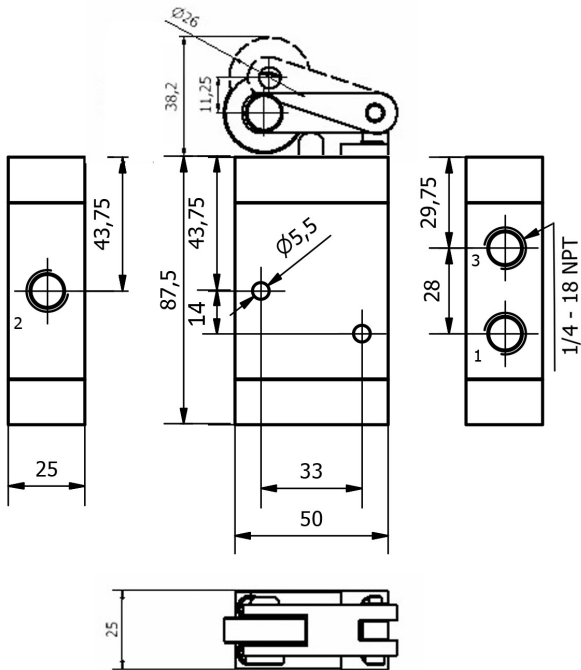
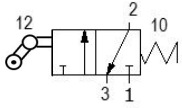
### Overall dimension & pneumatic diaphragm

Dimensioni di ingombro

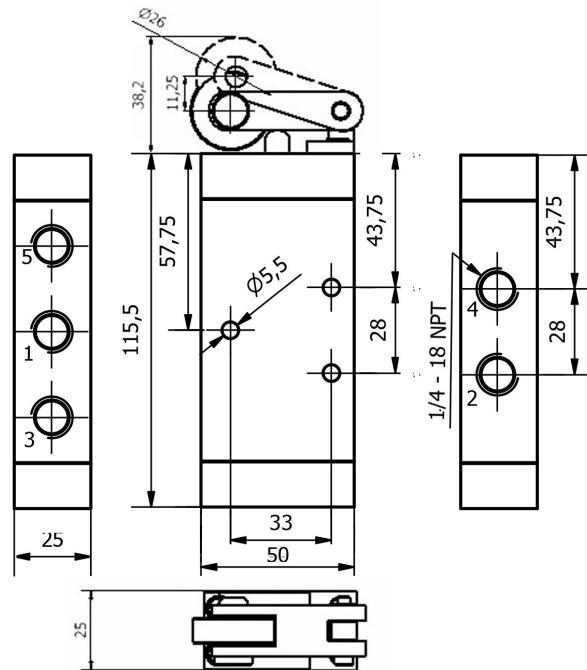
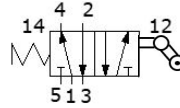
Example code:

DP32SS04NNB-W1

3/2



5/2



## AISI316L 3/4", 1"NPT directional control spool valves - DP serie

Valvole di controllo a cassetto in AISI316L 3/4", 1"NPT - serie DP

www.sitecna.eu

- Suitable for automation equipment to onshore, offshore, pharmaceutical, medical and food applications
- Full material traceability
- 3/2 or 5/2 Functions
- 3/4" & 1" (DN21mm) size
- Suitable for multidirectional flow
- Provided with through-holes in the body
- Suitable for dual pressure application
- Suitable for control and instrument gases
- High flow rate for the compact size of the valve
- ATEX 2014/34/UE II 2G Ex h IIC T6/T5 Gb X\*
- II 2D Ex h IIIC T85°C/T100°C Db X
- & approved\*
- SIL 3 - IEC 61508 (pilot operated models) \*



- Adatto per automazione in applicazioni marine, petrolchimiche, farmaceutiche, medicali e alimentari
- Completa rintracciabilità dei materiali
- Funzioni 3/2 e 5/2
- Taglie da 3/4" e 1" (DN21mm)
- Adatte per flussi multidirezionali
- Dotate di fori passanti sul corpo
- Idonee per gas di controllo e strumentale

- Alte portate per le dimensioni compatte della valvola
- Adatte per applicazioni con doppia pressione
- ATEX 2014/34/UE II 2G Ex h IIC T6/T5 Gb X\*
- II 2D Ex h IIIC T85°C/T100°C Db X
- Approvato ed \*
- SIL 3 - IEC61508 \*  
(modelli con azionamento pneumatico)

<b>Media / Fluido</b>	<b>Compressed air, inert gases, sweet and sour gases</b>
<b>Port thread / Connessioni</b>	<b>3/4", 1"NPT</b>
<b>Working Pressure</b> Pressione di lavoro	<b>12 bar</b>
<b>Minimum pilot pressure</b> Pressione minima di pilotaggio	<b>2.5bar</b>
<b>Working temperature /</b> Temperatura di esercizio	<b>-20°C up to 80°C (NBR); -25°C up to 90°C (FKM); -55°C + 90°C (HNBR)</b>
<b>Orefice/Orifizio</b>	<b>dn 16 mm (3/4") dn 21 mm (1")</b>

Air supply must be dry enough to avoid ice formation at temperatures below +2°C (+35°F).

### TYPES

- Operator: Air pilot / Return: Spring
- Operator: Air pilot / Return: Pilot

### Modelli

- Azionamento: Pneumatico / Ritorno: Molla
- Azionamento: Pneumatico / Ritorno: Pneumatico

BUILDING MATERIALS	Materiali costruttivi
<b>Body, end adapters, spool in 316L stainless steel</b>	Corpo, adattatori terminali e spola in acciaio inossidabile AISI316L
<b>Screws and springs in stainless steel</b>	Viti e molle in acciaio inossidabile
<b>Gasket &amp; seals in elastomer</b>	Guarnizioni e tenute in elastomero

\* Pending

BT-DP16SS/C24A



## Overall dimension & pneumatic diaphragm

Dimensioni di ingombro e schema pneumatico

### Operator: Air pilot / Return: Spring

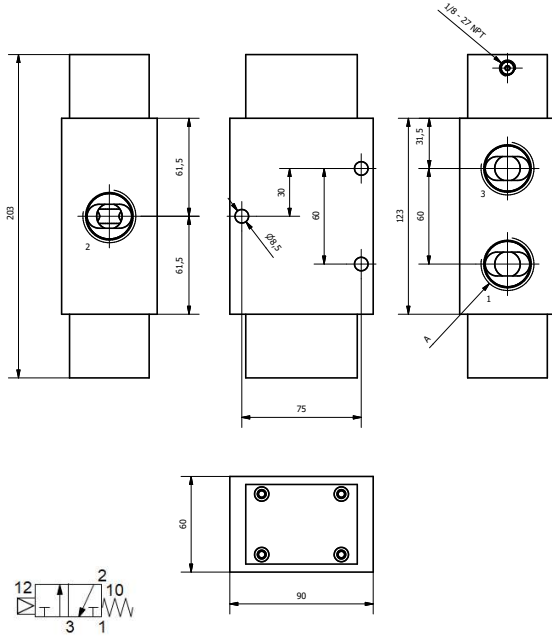
Azionamento: Pneumatico / Ritorno: molla

### Example code:

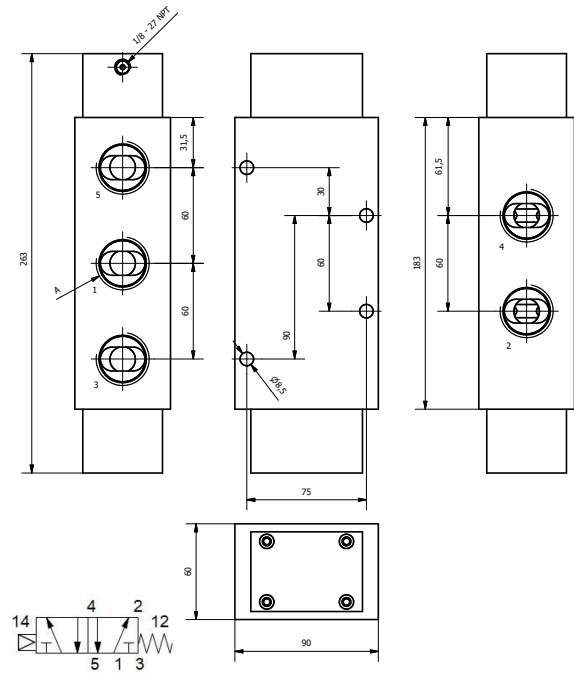
A= 3/4" : DP32SS14NNB

A= 1" : DP32SS16NNB

3/2



5/2



### Operator: Air pilot / Return: Pilot

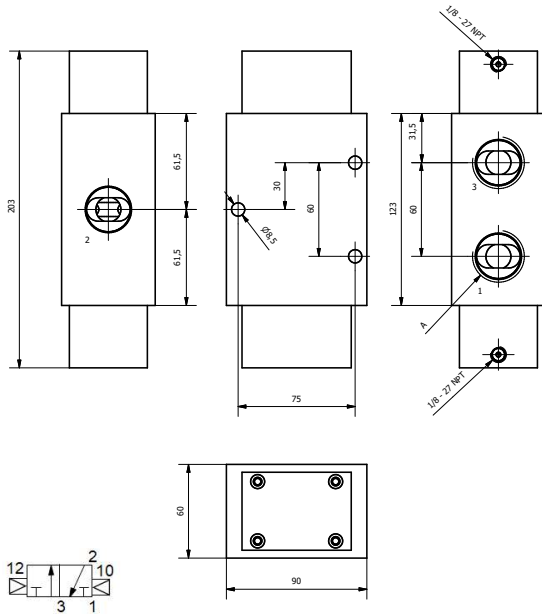
Azionamento: Pneumatico / Ritorno: pneumatico

### Example code:

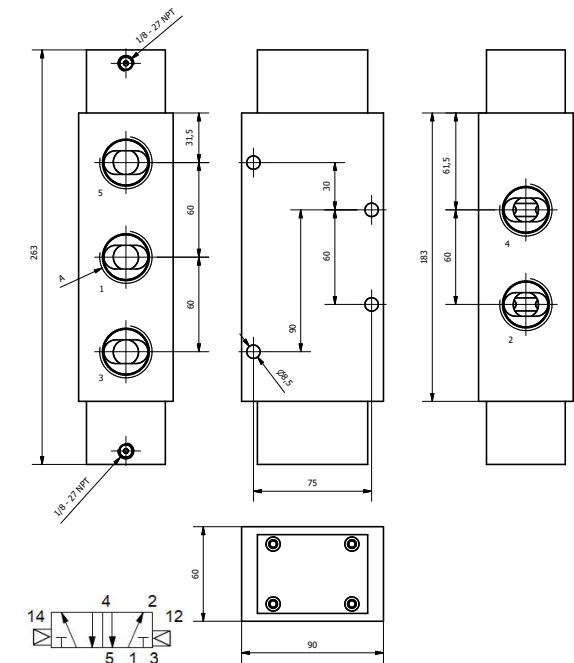
A= 3/4" : DPP32SS14NNB

A= 1" : DPP32SS16NNB

3/2



5/2



www.sitecna.eu

## Copper free aluminum alloy 1/2", 3/4", 1"NPT pilot actuated poppet valves - EP serie

Valvole pneumatiche ad otturatore in alluminio esente rame 1/2", 3/4", 1"NPT - serie EP

- Suitable for automation equipment to onshore, offshore, pharmaceutical, medical and food applications
- Full material traceability
- 3/2 universal function
- 1/2" (DN 12) 3/4" (DN12mm & 16mm) & 1" (DN21mm) size
- Suitable for multidirectional flow
- Provided with through-holes in the body
- Suitable for control and instrument gases
- \*ATEX 2014/34/UE II 2G Ex h IIC T6/T5 Gb X  
II 2D Ex h IIIC T85°C/T100°C Db X
- & approved
- SIL 3 - IEC 61508



- Adatto per automazione in applicazioni marine, petrolchimiche, farmaceutiche, medicali e alimentari
- Completa rintracciabilità dei materiali
- Funzione 3/2 universale
- Taglie da 3/4" (DN 16mm) e 1" (DN21mm)
- Dotate di fori passanti sul corpo

- Idonee per gas di controllo e strumentale
- ATEX 2014/34/UE II 2G Ex h IIC T6/T5 Gb X  
II 2D Ex h IIIC T85°C/T100°C Db X
- Approvato ed
- SIL 3 - IEC61508

Media / Fluido	Compressed air, inert gases, sweet and sour gases
Line port / Connessioni	1/2", 3/4", 1"NPT
Pilot port / Connessioni	1/8"NPT
Working Pressure Pressione di lavoro	10 bar
Minimum pilot pressure Pressione minima di pilotaggio	1.5bar
Working temperature / Temperatura di esercizio	-20°C up to 80°C (NBR); -25°C up to 90°C (FKM); -60°C + 90°C (HNBR)
Orefice/Orifizio	dn 12 (1/2", 3/4") dn 16 mm (3/4") dn 21 mm (1")
CV	4.1 (1/2"), 6.8 (3/4"DN12 ) 9.3 (3/4"DN16), 12.1 (1")

Air supply must be dry enough to avoid ice formation at temperatures below +2°C (+35°F).

### TYPES

- Operator: Air pilot / Return: Spring

### Modelli

- Azionamento: Pneumatico / Ritorno: Molla

BUILDING MATERIALS	Materiali costruttivi
Body and end adapters in copper free aluminum alloy with epoxy painting	Corpo e adattatori terminali in alluminio esente rame con verniciatura epossidica
Spool in AISI316	Spola in acciaio AISI316
Screws and springs in stainless steel	Viti e molle in acciaio inossidabile
Gasket & seals in elastomer	Guarnizioni e tenute in elastomero

\* pending for 1/2" & 3/4" (DN16) poppet

BT-EP16SS/C24A

## Overall dimension & pneumatic diaphragm

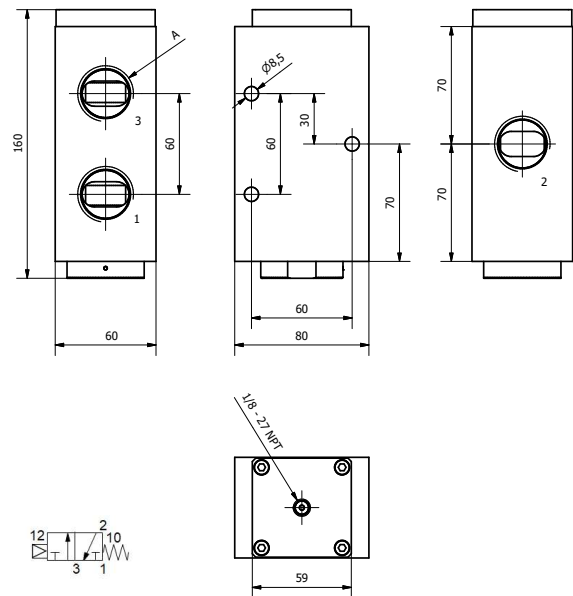
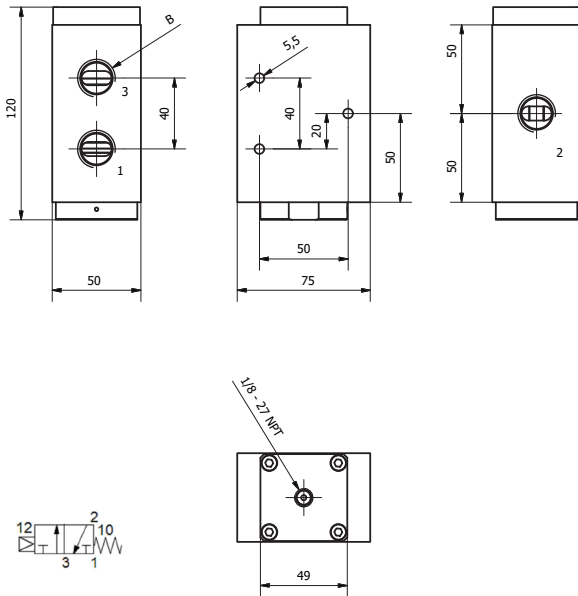
Dimensioni di ingombro e schema pneumatico

### Operator: Air pilot / Return: Spring

Azionamento: Pneumatico / Ritorno: molla

1/2", 3/4" (DN12)

3/4" (DN16), 1"



### Example code:

A=1/2" : EP32AL08NNB

A=3/4" DN12: EP32AL12NNB

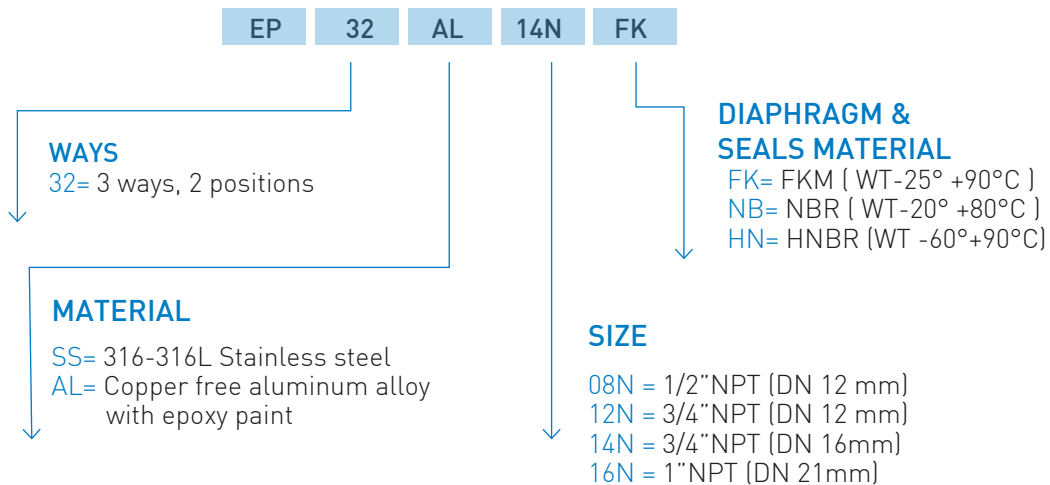
### Example code:

A=3/4" DN16: EP32AL14NNB

A=1" : EP32AL16NNB

## Ordering information

Come ordinare



BT-EP16SS/C24B

www.sitecna.eu

## AISI316L 3/4", 1"NPT pilot actuated poppet valves - EP serie

Valvole pneumatiche ad otturatore in AISI316L 3/4", 1"NPT - serie EP

- Suitable for automation equipment to onshore, offshore, pharmaceutical, medical and food applications
- Full material traceability
- 3/2 universal function
- 1/2" (DN 12) 3/4" (DN12mm & 16mm) & 1" (DN21mm) size
- Suitable for multidirectional flow
- Provided with through-holes in the body
- Suitable for control and instrument gases
- ATEX 2014/34/UE II 2G Ex h IIC T6/T5 Gb X  
II 2D Ex h IIIC T85°C/T100°C Db X
- & approved
- SIL 3 - IEC 61508



- Adatto per automazione in applicazioni marine, petrolchimiche, farmaceutiche, medicali e alimentari
- Completa rintracciabilità dei materiali
- Funzione 3/2 universale
- Taglie da 3/4" (DN 16mm) e 1" (DN21mm)
- Dotate di fori passanti sul corpo

- Idonee per gas di controllo e strumentale
- ATEX 2014/34/UE II 2G Ex h IIC T6/T5 Gb X  
II 2D Ex h IIIC T85°C/T100°C Db X
- Approvato ed
- SIL 3 - IEC61508

<b>Media / Fluido</b>	<b>Compressed air, inert gases, sweet and sour gases</b>
<b>Line port / Connessioni</b>	<b>1/2", 3/4", 1"NPT</b>
<b>Pilot port / Connessioni</b>	<b>1/8"NPT</b>
<b>Working Pressure</b> Pressione di lavoro	<b>10 bar</b>
<b>Minimum pilot pressure</b> Pressione minima di pilotaggio	<b>1.5bar</b>
<b>Working temperature /</b> Temperatura di esercizio	<b>-20°C up to 80°C (NBR); -25°C up to 90°C (FKM); -60°C + 90°C (HNBR)</b>
<b>Orefice/Orifizio</b>	<b>dn 12 (1/2", 3/4") dn 16 mm (3/4") dn 21 mm (1")</b>
<b>CV</b>	<b>4.1 (1/2"), 6.8 (3/4"DN12) 9.3 (3/4"DN16), 12.1 (1")</b>

Air supply must be dry enough to avoid ice formation at temperatures below +2°C (+35°F).

BUILDING MATERIALS	Materiali costruttivi
<b>Body, end adapters, spool in 316L stainless steel</b>	Corpo, adattatori terminali e spola in acciaio inossidabile AISI316L
<b>Screws and springs in stainless steel</b>	Viti e molle in acciaio inossidabile
<b>Gasket &amp; seals in elastomer</b>	Guarnizioni e tenute in elastomero

\* pending for 1/2" & 3/4" (DN16) poppet

BT-EP16SS/C24A

## Overall dimension & pneumatic diaphragm

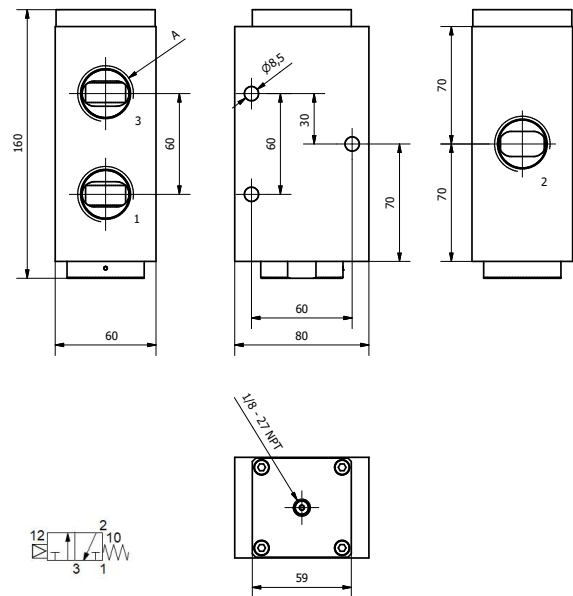
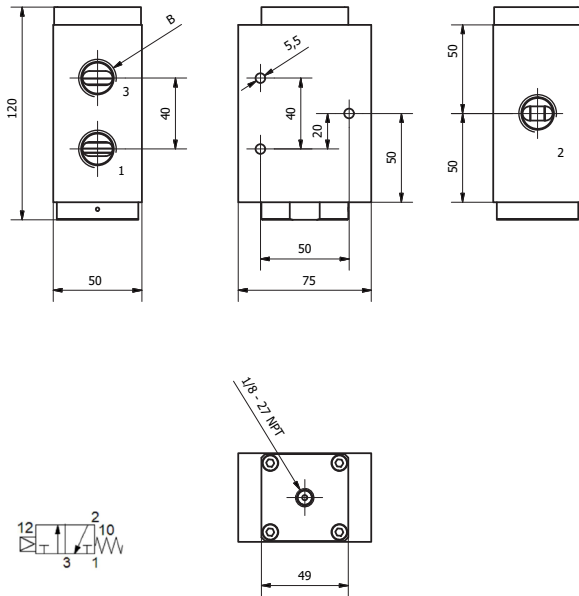
Dimensioni di ingombro e schema pneumatico

### Operator: Air pilot / Return: Spring

Azionamento: Pneumatico / Ritorno: molla

1/2", 3/4" (DN12)

3/4" (DN16), 1"



### Example code:

A=1/2" : EP32SS08NNB

A=3/4" DN12: EP32SS12NNB

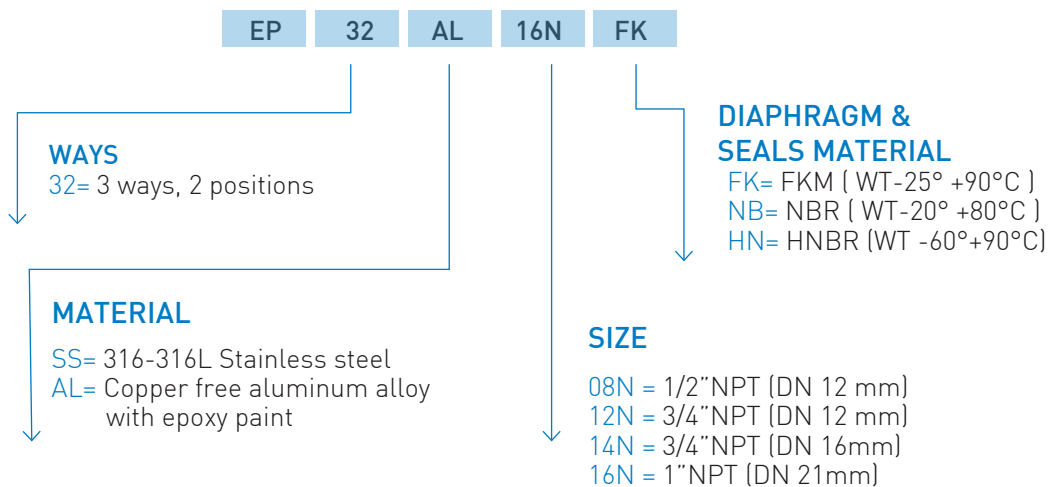
### Example code:

A=3/4" : DN16 EP32SS14NNB

A=1" : EP32SS16NNB

## Ordering information

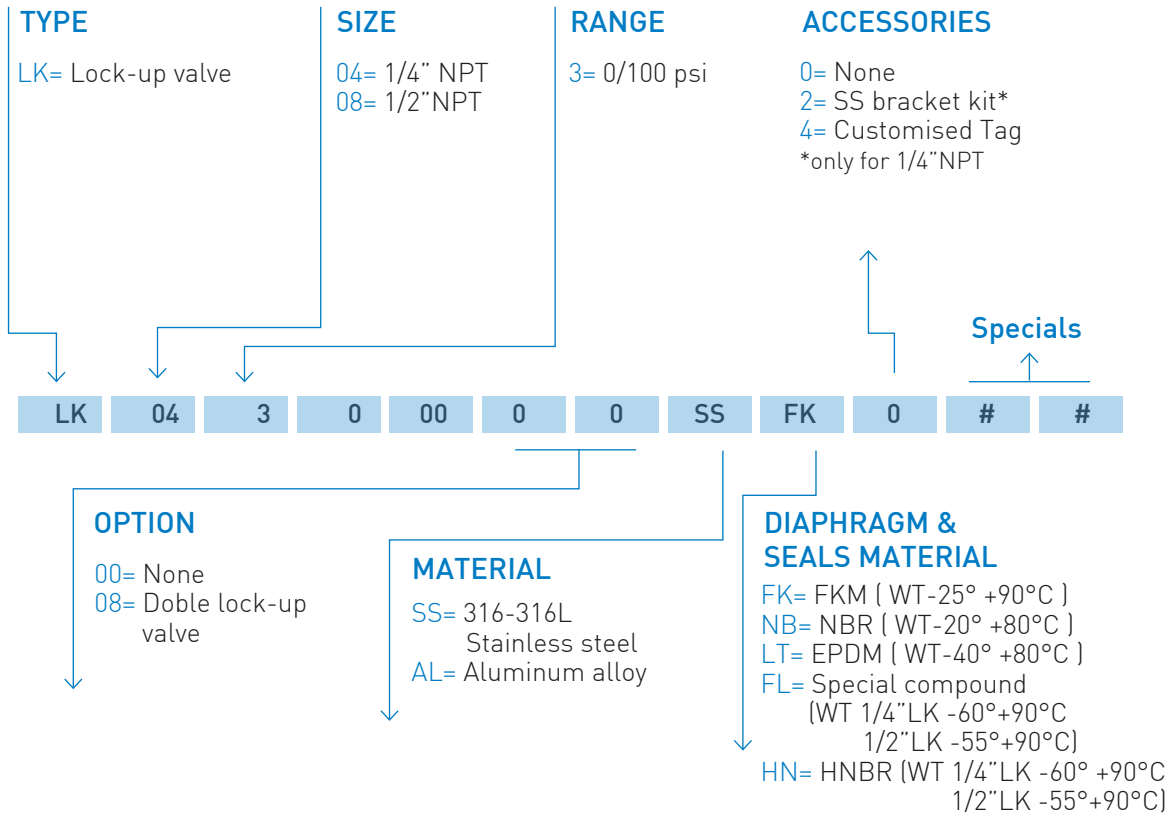
Come ordinare



BT-EP16SS/C24B

# Ordering information

## Come ordinare



### CODE EXAMPLES

LK	08	3	0	00	0	0	SS	FK	0	
----	----	---	---	----	---	---	----	----	---	--

**1/2" NPT, SS316L, Single Lock up valve, with FKM diaphragm & seals, Cv0.9, WT -25°C to 90°C, with SS bracket**

Valvola di lock-up singola da 1/4" NPT in AISI316L con diaframma e tenute in FKM, Cv 0.9, temperatura di lavoro da -25°C a +90°C

LK	04	3	0	00	0	8	AL	LT	2	
----	----	---	---	----	---	---	----	----	---	--

**1/4" NPT, Epoxy painted aluminium alloy + SS304 or 316L, Double lock up valve with EPDM diaphragm & seals, CV 0.9, WT -40°C to +80°C, with SS bracket**

Valvola di lock-up doppia da 1/4" NPT in lega di alluminio con verniciatura epossidica + AISI304-316L con diaframma e tenute in EPDM, Cv 0.9, temperatura di lavoro da -40°C a +80°C, con staffa inox



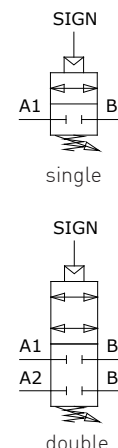
## Copper free aluminium alloy 1/4" NPT lock-up valves – LK serie

Valvole di lock-up da 1/4" NPT in lega di alluminio esente rame – serie LK

www.sitecna.eu

- Suitable for automation equipment to onshore, offshore, pharmaceutical, medical and food applications
- Full material traceability
- Excellent stability and repeatability
- Accurate adjustment and high flow capacity
- Single or double locking possibility
- ATEX 2014/34/UE II 2G Ex h IIC T6/T5 Gb X  
II 2D Ex h IIIC T85°C/T100°C Db X
- & approved

- Adatto per automazione in applicazioni marine, petrolchimiche, farmaceutiche, medicali e alimentari
- Completa rintracciabilità dei materiali
- Eccellente stabilità e ripetibilità
- Precise regolazioni ed elevate portate
- Possibilità di blocco singolo o doppio
- ATEX 2014/34/UE II 2G Ex h IIC T6/T5 Gb X  
II 2D Ex h IIIC T85°C/T100°C Db X
- Approvato ed



<b>Media / Fluido</b>	<b>Compressed air, inert gases, sweet and sour gases</b>
<b>Port thread / Conessioni</b>	<b>1/4" NPT</b>
<b>Signal connection</b> Connessione segnale	<b>1/4" NPT</b>
<b>Max supply pressure</b> Pressione massima di ingresso	<b>10bar</b>
<b>Max signal/output pressure</b> Pressione massima segnale/uscita	<b>7bar</b>
<b>Flow rate (Cv)/Portata</b>	<b>0.9 (1/4")</b>
<b>Working temperature /</b> Temperatura di esercizio	<b>-20°C up to 80°C (NBR); -25°C up to 90°C (FKM); -40°C up to 80°C (EPDM); -60° up tp 90°C (FVMQ)*</b>
<b>Sensibility/Sensibilità</b>	<b>0.1bar</b>
<b>Max lock-up pressure</b> Massima pressione di intervento	<b>7bar</b>

Air supply must be dry enough to avoid ice formation at temperatures below +2°C (+35°F).

\*Special version in HNBR (WT -60° +90°C)

**It provides reliable shut down & isolation from control devices of the actuator whenever air pressure falls below operating safety point. Rugged and corrosion-resistant – made of aluminum alloy and SS AISI304/316L - Compact small package size – light weight**  
 Permette affidabile intercettazione ed esclusione dell'attuatore quando la pressione dell'aria scende al di sotto del livello minimo operativo. Robusto e resistente alla corrosione – Costruito lega di alluminio ed AISI304/316L - Dimensioni di ingombro ridotte – Leggero

BUILDING MATERIALS	Materiali costruttivi
<b>Body, spacer, top in epoxy painted copper free aluminum alloy</b>	Corpo, distanziale, coperchio in lega di alluminio esente rame con verniciatura epossidica
<b>Internals, bracket, lock and panel nuts, fixing screws in stainless steel</b>	Vite di regolazione, staffa, dadi di bloccaggio e pannello, viti di fissaggio in acciaio inossidabile
<b>Diaphragms &amp; seals in elastomer</b>	Diaframmi e guarnizioni in elastomero

BT-LK04AL/C22A

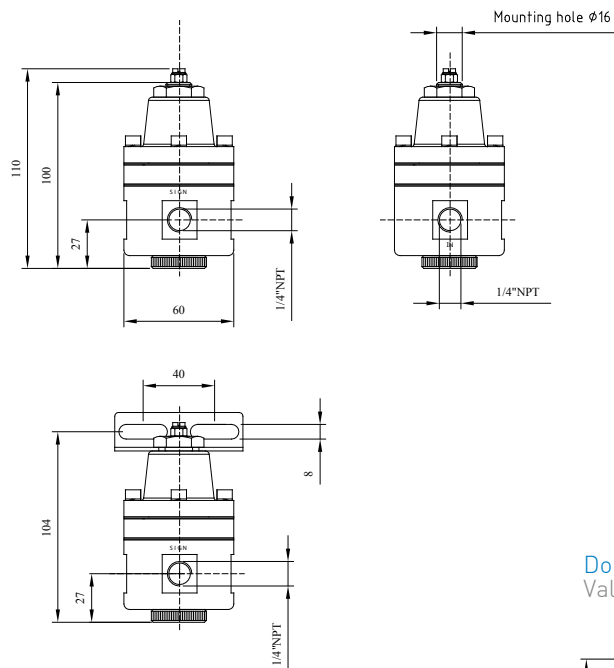
## Overall dimension

Dimensioni di ingombro

### Single Lock-up valve

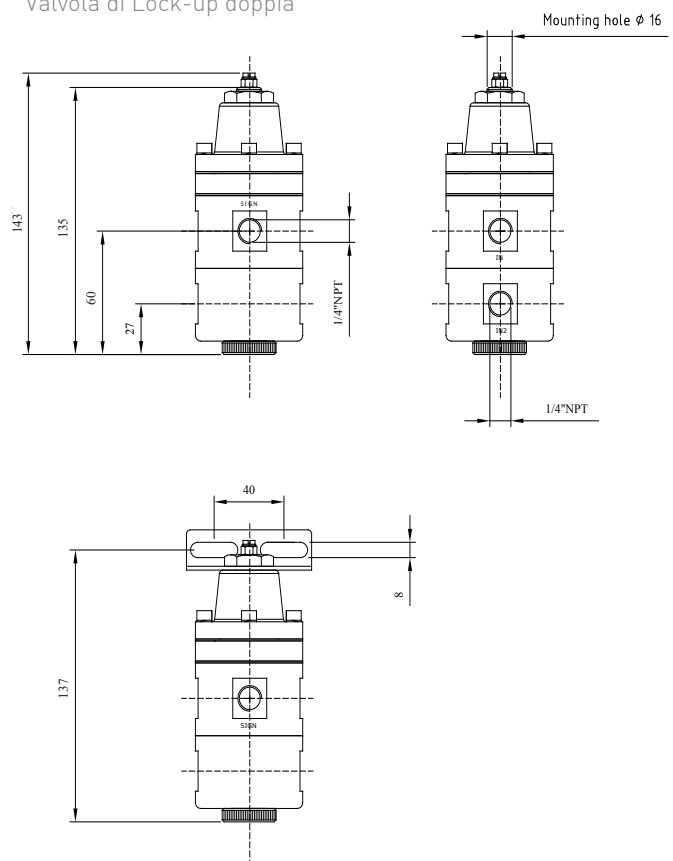
Valvola di Lock-up singola

LK04 A=1/4"



### Double Lock-up valve

Valvola di Lock-up doppia



## Accessories

Accessor

Bracket /Staffa	SQ-FR04
-----------------	---------

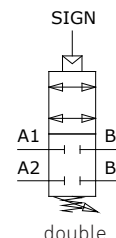
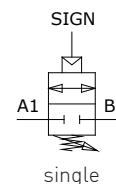
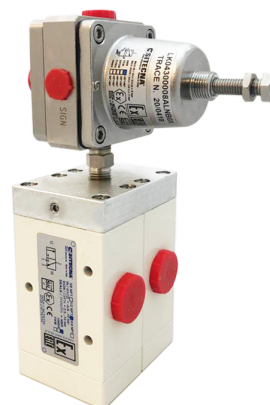


## Copper free aluminium alloy 3/8", 1/2", 3/4" NPT lock-up valves – LK serie

Valvole di lock-up da 3/8", 1/2", 3/4" NPT in lega di alluminio esente rame – serie LK

- Suitable for automation equipment to onshore, offshore, pharmaceutical, medical and food applications
- Full material traceability
- Excellent stability and repeatability
- Accurate adjustment and high flow capacity
- Single or double locking possibility
- ATEX 2014/34/UE II 2G Ex h IIC T6/T5 Gb X  
II 2D Ex h IIC T85°C/T100°C Db X

- Adatto per automazione in applicazioni marine, petrolchimiche, farmaceutiche, medicali e alimentari
- Completa rintracciabilità dei materiali
- Eccellente stabilità e ripetibilità
- Precise regolazioni ed elevate portate
- Possibilità di blocco singolo o doppio
- ATEX 2014/34/UE II 2G Ex h IIC T6/T5 Gb X  
II 2D Ex h IIC T85°C/T100°C Db X



<b>Media / Fluido</b>	<b>Compressed air, inert gases, sweet and sour gases</b>
<b>Port thread / Connessioni</b>	<b>3/8", 1/2", 3/4" NPT</b>
<b>Pilot connection</b> Connessione pilotaggio	<b>1/4" NPT</b>
<b>Signal connection</b> Connessione segnale	<b>1/8" NPT</b>
<b>Working pressure</b> Pressione di lavoro	<b>-0.9 - 10 bar</b>
<b>Max signal/output pressure</b> Pressione massima segnale/uscita	<b>7 bar</b>
<b>Working temperature /</b> Temperatura di esercizio	<b>-20°C up to 80°C (NBR); -25°C up to 90°C (FKM); -40°C up to 80°C (EPDM); -55° up tp 90°C (FVMQ)*</b>
<b>Upward adjustment/</b> Sensibilità in salita	<b>1 bar</b>
<b>Downward adjustment/</b> Sensibilità in discesa	<b>0,5 bar</b>
<b>Max lock-up pressure</b> Massima pressione di intervento	<b>7 bar</b>

Air supply must be dry enough to avoid ice formation at temperatures below +2°C (+35°F).

**\*Special version in HNBR (WT -55° +90°C)**

**It provides reliable shut down & isolation from control devices of the actuator whenever air pressure falls below operating safety point. Rugged and corrosion-resistant – made of aluminum alloy and SS AISI304/316L - Compact small package size – light weight**  
 Permette affidabile intercettazione ed esclusione dell'attuatore quando la pressione dell'aria scende al di sotto del livello minimo operativo. Robusto e resistente alla corrosione – Costruito lega di alluminio ed AISI304/316L - Dimensioni di ingombro ridotte – Leggero

BUILDING MATERIALS	Materiali costruttivi
<b>Body, bonnet, end plate of switch valve, nipple in AISI316</b>	Corpo, tazza superiore, piattello switch valve, nipple in AISI316
<b>Body, heads of spool valves in painted copper free aluminum alloy</b>	Corpo e testate spool valves in alluminio esente rame verniciato
<b>Internals, lock and panel nuts, fixing screws in stainless steel</b>	Vite di regolazione, dadi di bloccaggio e pannello, viti di fissaggio in acciaio inossidabile
<b>Diaphragms &amp; seals in elastomer</b>	Diaframmi e guarnizioni in elastomero

www.sitecna.eu

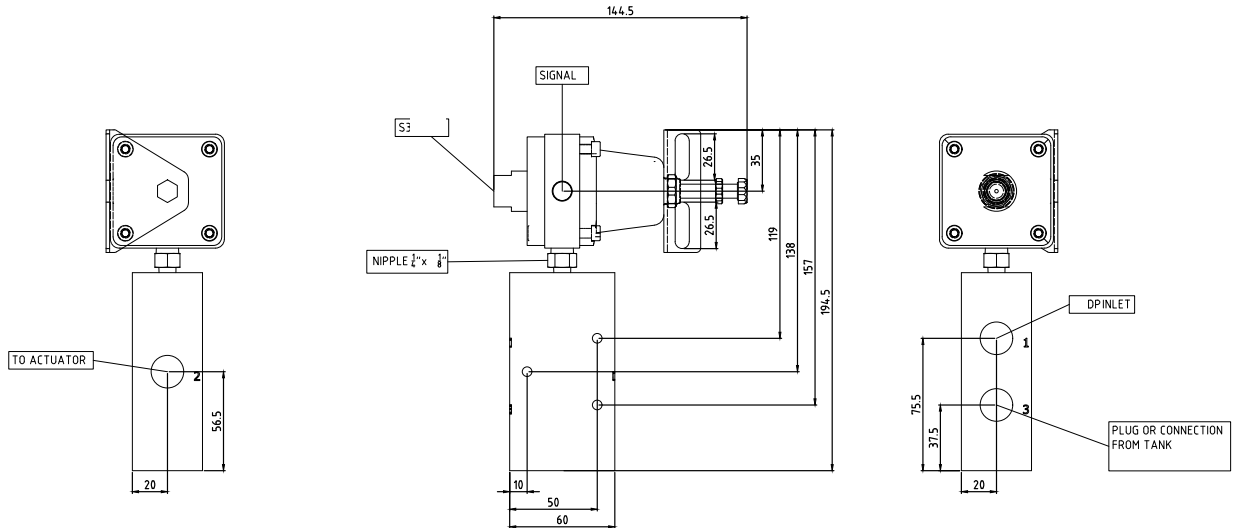
BT-LK08AL/C20A

## Overall dimension

Dimensioni di ingombro

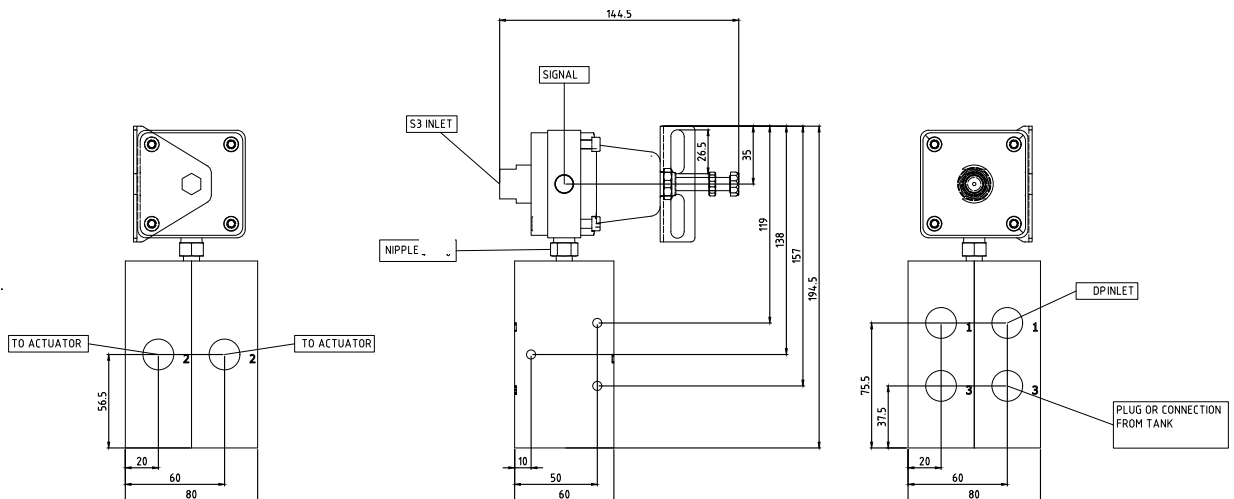
### Single Lock-up valve

Valvola di Lock-up singola



### Double Lock-up valve

Valvola di Lock-up doppia

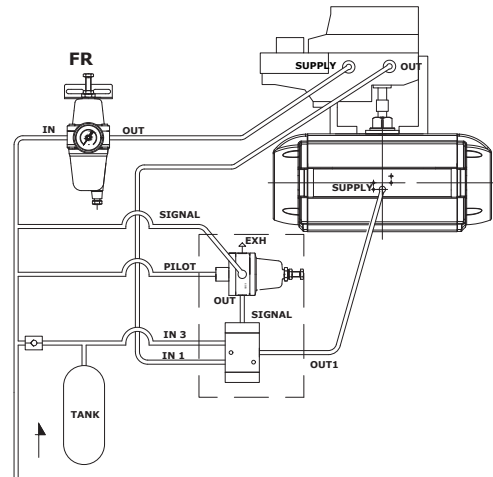
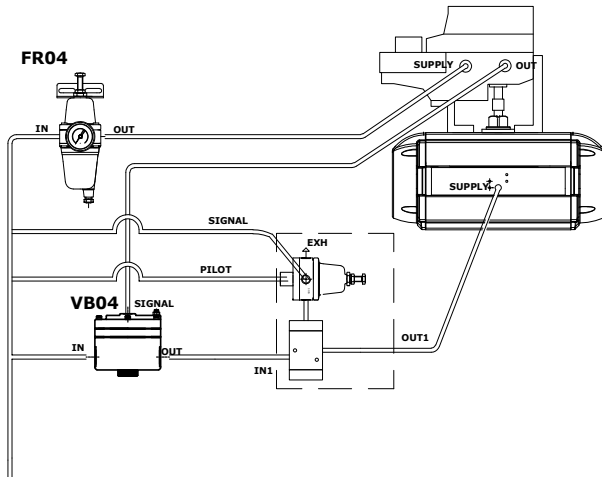


## Application examples for LK08

Esempi di applicazione del LK08

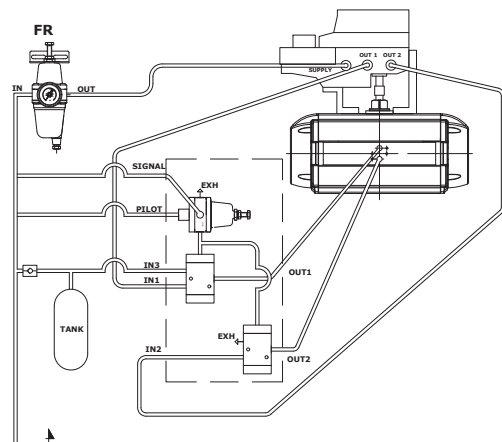
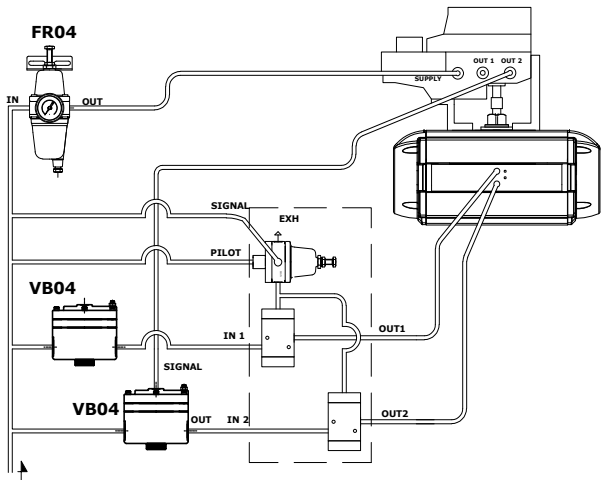
### Single actuating actuator

Attuatore a singolo effetto






### Double actuating actuator





Attuatore a doppio effetto

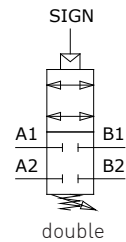
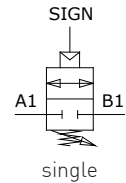


## SS316L 1/4" NPT lock-up valves – LK serie

Valvole di lock-up da 1/4" NPT in AISI316L – serie LK

- Suitable for automation equipment to onshore, offshore, pharmaceutical, medical and food applications
- Full material traceability
- Excellent stability and repeatability
- Accurate adjustment and high flow capacity
- Single or double locking possibility
- ATEX 2014/34/UE  II 2G Ex h IIC T6/T5 Gb X
-  &  approved II 2D Ex h IIC T85°C/T100°C Db X

- Adatto per automazione in applicazioni marine, petrolchimiche, farmaceutiche, medicali e alimentari
- Completa rintracciabilità dei materiali
- Eccellente stabilità e ripetibilità
- Precise regolazioni ed elevate portate
- Possibilità di blocco singolo o doppio
- ATEX 2014/34/UE  II 2G Ex h IIC T6/T5 Gb X
-  II 2D Ex h IIC T85°C/T100°C Db X
- Approvato  ed 



<b>Media / Fluido</b>	<b>Compressed air, inert gases, sweet and sour gases</b>
<b>Port thread / Conessioni</b>	<b>1/4" NPT</b>
<b>Signal Connection</b> Connessione segnale	<b>1/4" NPT</b>
<b>Max supply pressure</b> Pressione massima di ingresso	<b>10bar</b>
<b>Max signal/output pressure</b> Pressione massima segnale/uscita	<b>7bar</b>
<b>Flow rate (Cv)/Portata</b>	<b>0.9 (1/4")</b>
<b>Working temperature /</b> Temperatura di esercizio	<b>-20°C up to 80°C (NBR); -25°C up to 90°C (FKM); -40°C up to 80°C (EPDM); -60° up tp 90°C (FVMQ)*</b>
<b>Sensibility/Sensibilità</b>	<b>0.1bar</b>
<b>Max Lock up pressure</b> Massima pressione di intervento	<b>7bar</b>

Air supply must be dry enough to avoid ice formation at temperatures below +2°C (+35°F).

\*Special version in HNBR (WT -60° +90°C)

**It provides reliable shut down & isolation from control devices of the actuator whenever air pressure falls below operating safety point. Rugged and corrosion-resistant – made in SS316L - Compact small package size – light weight**

Permette affidabile intercettazione ed esclusione dell'attuatore quando la pressione dell'aria scende al di sotto del livello minimo operativo. Robusto e resistente alla corrosione – Costruito completamente in AISI316L - Dimensioni di ingombro ridotte – Leggero

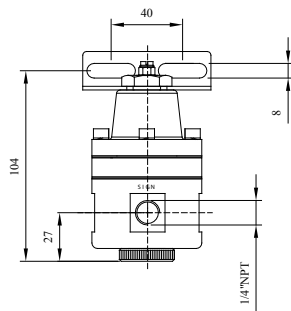
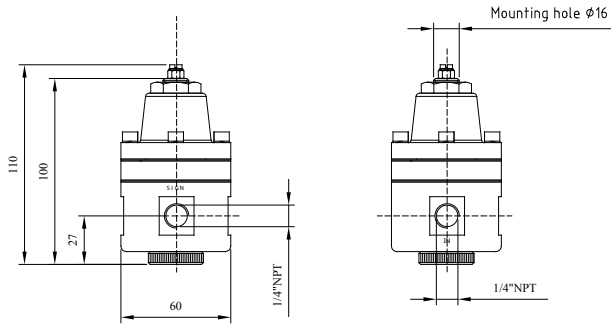
BUILDING MATERIALS	Materiali costruttivi
<b>Body, spacer, top in SS316L stainless steel</b>	Corpo, distanziale, coperchio in acciaio inossidabile AISI316/316L
<b>Internals, bracket, lock and panel nuts, fixing screws in stainless steel</b>	Vite di regolazione, staffa, dadi di bloccaggio e pannello, viti di fissaggio in acciaio inossidabile
<b>Diaphragms &amp; seals in elastomer</b>	Diaframmi e guarnizioni in elastomero

## Overall dimension

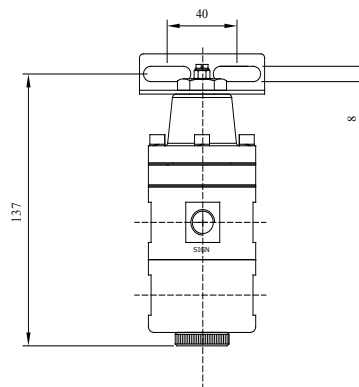
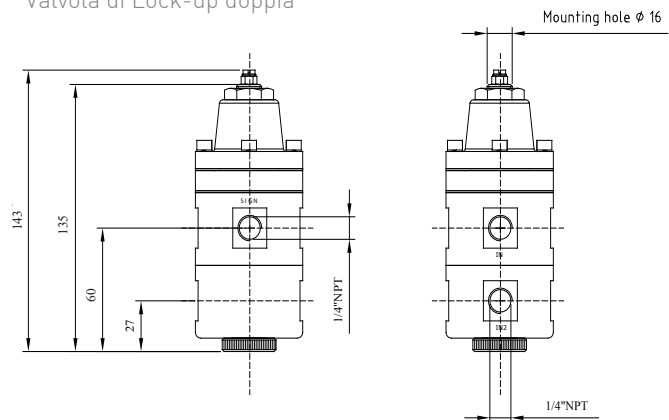
Dimensioni di ingombro

Single Lock-up valve  
Valvola di Lock-up singola

LK04 A=1/4"



Double Lock-up valve  
Valvola di Lock-up doppia



## Accessories


Accessor


Bracket /Staffa

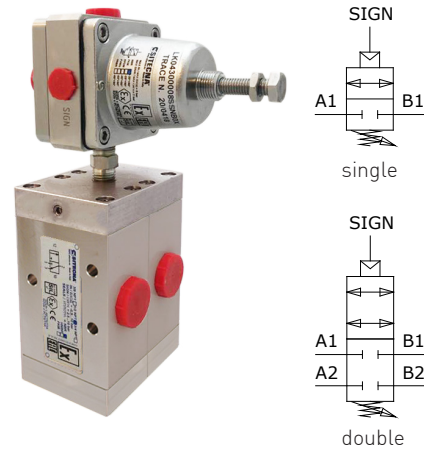
SQ-FR04

## SS316L 3/8", 1/2", 3/4" NPT lock-up valves – LK serie

Valvole di lock-up da 3/8", 1/2", 3/4" NPT in AISI316L – serie LK

- Suitable for automation equipment to onshore, offshore, pharmaceutical, medical and food applications
- Full material traceability
- Excellent stability and repeatability
- Accurate adjustment and high flow capacity
- Single or double locking possibility
- ATEX 2014/34/UE  II 2G Ex h IIC T6/T5 Gb X  
II 2D Ex h IIC T85°C/T100°C Db X

- Adatto per automazione in applicazioni marine, petrolchimiche, farmaceutiche, medicali e alimentari
- Completa rintracciabilità dei materiali
- Eccellente stabilità e ripetibilità
- Precise regolazioni ed elevate portate
- Possibilità di blocco singolo o doppio
- ATEX 2014/34/UE  II 2G Ex h IIC T6/T5 Gb X  
II 2D Ex h IIC T85°C/T100°C Db X



<b>Media / Fluido</b>	<b>Compressed air, inert gases, sweet and sour gases</b>
<b>Port thread / Connessioni</b>	<b>3/8", 1/2", 3/4" NPT</b>
<b>Pilot connection</b> Connessione pilotaggio	<b>1/4" NPT</b>
<b>Signal connection</b> Connessione segnale	<b>1/8" NPT</b>
<b>Working pressure</b> Pressione di lavoro	<b>-0.9 - 10 bar</b>
<b>Max signal/output pressure</b> Pressione massima segnale/uscita	<b>7 bar</b>
<b>Working temperature /</b> Temperatura di esercizio	<b>-20°C up to 80°C (NBR); -25°C up to 90°C (FKM); -40°C up to 80°C (EPDM); -55° up to 90°C (FVMQ)*</b>
<b>Upward adjustment/</b> Sensibilità in salita	<b>1 bar</b>
<b>Downward adjustment/</b> Sensibilità in discesa	<b>0,5 bar</b>
<b>Max lock-up pressure</b> Massima pressione di intervento	<b>7 bar</b>

Air supply must be dry enough to avoid ice formation at temperatures below +2°C (+35°F).

**\*Special version in HNBR (WT -55° +90°C)**

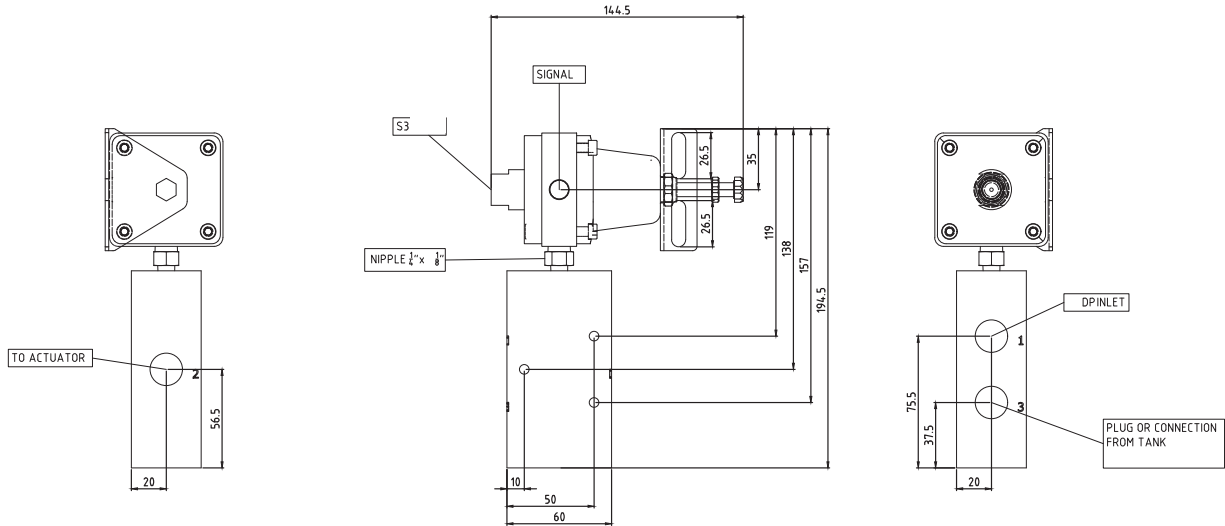
**It provides reliable shut down & isolation from control devices of the actuator whenever air pressure falls below operating safety point. Rugged and corrosion-resistant – made in SS316L - Compact small package size – light weight**

Permette affidabile intercettazione ed esclusione dell'attuatore quando la pressione dell'aria scende al di sotto del livello minimo operativo. Robusto e resistente alla corrosione – Costruito completamente in AISI316L - Dimensioni di ingombro ridotte – Leggero

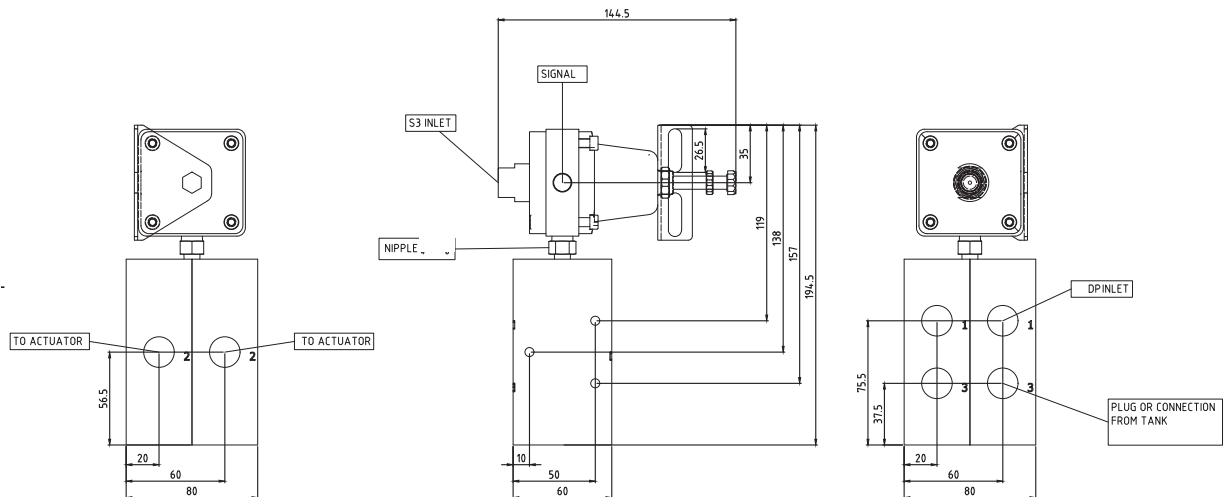
<b>BUILDING MATERIALS</b>	<b>Materiali costruttivi</b>
<b>Body, bonnet, end plate of switch valve, Body, heads of spool valves nipple in AISI316</b>	Corpo, tazza superiore, piattello switch valve, Corpo e testate spool valves. nipplo in AISI316
<b>Internals, lock and panel nuts, fixing screws in stainless steel</b>	Vite di regolazione, dadi di bloccaggio e pannello, viti di fissaggio in acciaio inossidabile
<b>Diaphragms &amp; seals in elastomer</b>	Diaframmi e guarnizioni in elastomero

**Overall dimension**  
Dimensioni di ingombro

**Single Lock-up valve**  
Valvola di Lock-up singola



**Double Lock-up valve**  
Valvola di Lock-up doppia



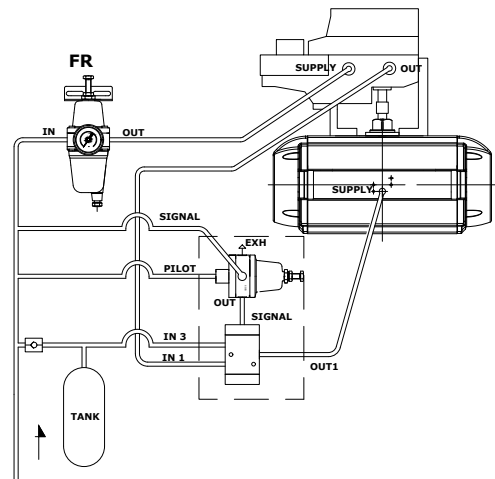
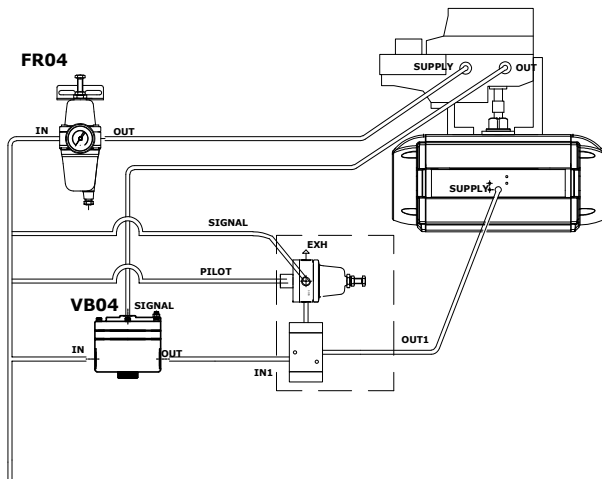
BT-LK08SS/C20B

# Application examples for LK08

Esempi di applicazione del LK08

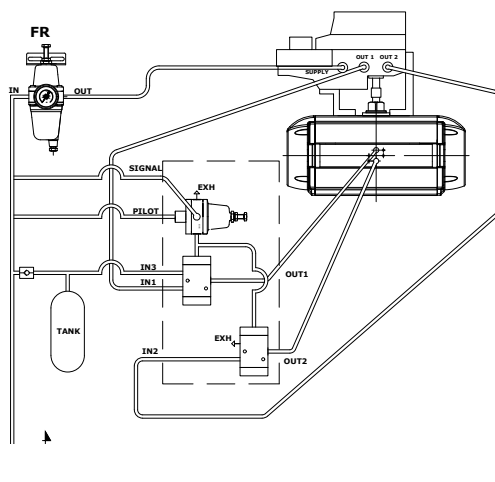
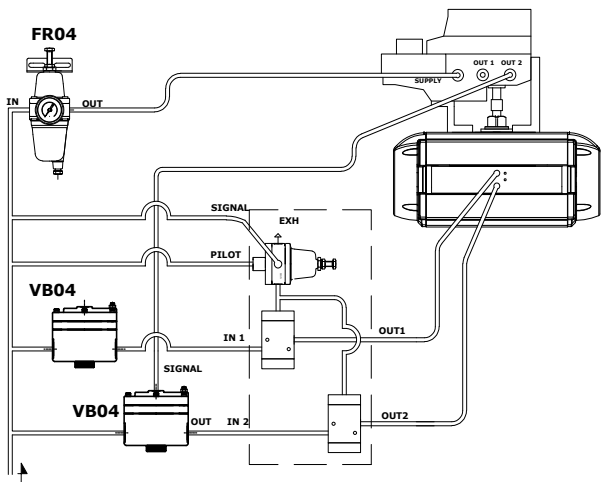
## Single actuating actuator

Attuatore a singolo effetto



## Double actuating actuator

Attuatore a doppio effetto



BT-LK08SS/C20C



www.sitecna.eu

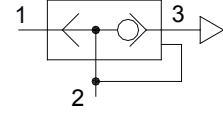
## Copper free aluminum alloy quick exhaust valves - VSR serie

Valvole di scarico rapido in alluminio esente rame - serie VSR

Enables air to be exhausted quickly from air reservoirs and cylinders allowing higher cylinder speeds to be achieved. Simple, compact design and construction that grants for reliability in operations . Body in copper free aluminum alloy allows the use in environment with corrosive environments.

Choice of plastic materials make this product suitable for a wide range of working temperatures. Valves can be used in every position , but for a prompt fluid discharge it is suggested to connect them as near as possible to the cylinder.

Connection 1 is air inlet , connection 2 is air use and connection 3 is the exhaust.



- ATEX 2014/34/UE II 2G Ex h IIC T6/T5 Gb X
- & approved II 2D Ex h IIIC T85°C/T100°C Db X
- SIL 3 - IEC 61508

Consentono un rapido scarico dell'aria da serbatoi e cilindri permettendo il raggiungimento di elevate velocità del cilindro.

Sistema e struttura semplici e compatti garantiscono un funzionamento altamente affidabile. Il corpo in alluminio esente rame consente l'utilizzo in ambienti corrosivi.

La scelta di differenti materiali plastici rendono utilizzabile questo prodotto in un'ampia gamma di temperature. Le valvole possono essere montate in qualunque posizione, ma per un'efficace evacuazione devono essere piazzate il più vicino possibile al cilindro.

La connessione 1 serve per l'alimentazione, la due è l'utilizzo e la 3 è lo scarico.

ATEX 2014/34/UE II 2G Ex h IIC T6/T5 Gb X  
II 2D Ex h IIIC T85°C/T100°C Db X

- Approvato ed
- Approvato SIL 3 - IEC 61508

### Technical features:

Caratteristiche tecniche:

- **Medium : compressed air or inert gases, filtered, lubricated and non lubricated**  
Fluido : aria compressa o gas inerti, filtrata, lubrificata e non lubrificata
- **Operating pressure : 2/12bar - special execution available 18bar**  
Pressione d'esercizio : 2/12bar - disponibile esecuzione speciale 18bar
- **Operating temperature : -20°C up to 80°C (NBR); -25°C up to 90°C (FKM);  
-40°C up to 80°C (EPDM); -60°C up to 90°C (FVMQ / HNBR)**  
Temperatura di esercizio: -20°C + 80°C (NBR); -25°C + 90°C (FKM)  
-40°C + 80°C (EPDM); -60°C + 90°C (FVMQ / HNBR)
- **Materials : Body aluminum alloy; Element in PU or low temperature PU**  
Materiali : Corpo in alluminio; elemento in PU o PU a bassa temperatura

BT-VSRAL/C22A

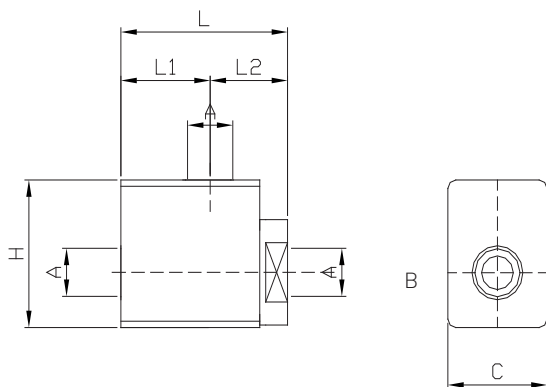
MODEL MODELLO	THREAD FILETTO	Dn mm	ELEMENT MATERIALE	WP PN	CV IN	CV OUT
VSR02NAL*	1/8" NPT	8	PU or LT PU	2-12BAR	-	-
VSR04NAL*	1/4" NPT	8	PU or LT PU	2-12BAR	1.2	2.0
VSR06NAL*	3/8" NPT	10	PU or LT PU	2-12BAR	3.6	6.9
VSR08NAL*	1/2" NPT	12	PU or LT PU	2-12BAR	4.3	6.9
VSR12NAL*	3/4" NPT	19	PU or LT PU	2-12BAR	10.0	11.3
VSR16NAL*	1" NPT	19	PU or LT PU	2-12BAR	10.5	15.7

\*Refers to seals type. Add:  
FK→FKM NB→NBR LT→EPDM FL→FVMQ HN→HNBR

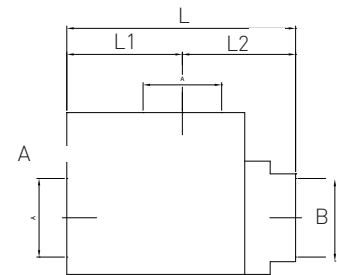
## Overall dimension

Dimensioni di ingombro

VSR02, VSR04



VSR06, VSR08, VSR12, VSR16



MODEL MODELLO	THREAD FILETTO	B	L mm	L1 mm	L2 mm	H mm	C mm
VSR02NAL*	1/8" NPT	1/4" NPT	42	22,5	19,5	35	25
VSR04NAL*	1/4" NPT	1/4" NPT	42	22,5	19,5	35	25
VSR06NAL*	3/8" NPT	1/2" NPT	56	33	23	53	40
VSR08NAL*	1/2" NPT	1/2" NPT	56	33	23	53	40
VSR12NAL*	3/4" NPT	3/4" NPT	99	50	49	70	49
VSR16NAL*	1" NPT	1" NPT	99	50	49	70	49

\*Refers to seals type. Add:  
FK→FKM NB→NBR LT→EPDM FL→FVMQ HN→HNBR

## SS316L quick exhaust valves - VSR serie

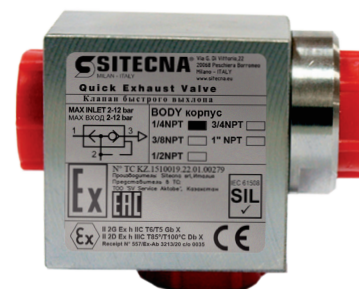
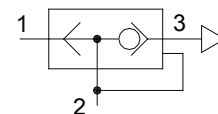
Valvole di scarico rapido in AISI316L - serie VSR

Enables air to be exhausted quickly from air reservoirs and cylinders allowing higher cylinder speeds to be achieved. Simple, compact design and construction that grants for reliability in operations . Corrosion resistant body in stainless steel 316L allows the use in high corrosive environment.

Choice of plastic materials make this product suitable for a wide range of working temperatures. Valves can be used in every position , but for a prompt fluid discharge it is suggested to connect them as near as possible to the cylinder.

Connection 1 is air inlet , connection 2 is air use and connection 3 is the exhaust .

- ATEX 2014/34/UE II 2G Ex h IIC T6/T5 Gb X  
II 2D Ex h IIIC T85°C/T100°C Db X
- & approved
- SIL 3 - IEC 61508



Consentono un rapido scarico dell'aria da serbatoi e cilindri permettendo il raggiungimento di elevate velocità del cilindro.

Sistema e struttura semplici e compatti garantiscono un funzionamento altamente affidabile Il corpo in AISI316L consente l'utilizzo in ambienti corrosivi.

La scelta di differenti materiali plastici rendono utilizzabile questo prodotto in un'ampia gamma di temperature. Le valvole possono essere montate in qualunque posizione , ma per un'efficace evacuazione devono essere piazzate il più vicino possibile al cilindro.

La connessione 1 serve per l'alimentazione, la due è l'utilizzo e la 3 è lo scarico.

ATEX 2014/34/UE II 2G Ex h IIC T6/T5 Gb X  
II 2D Ex h IIIC T85°C/T100°C Db X

- Approvato ed
- Approvato SIL 3 - IEC 61508

### Technical features:

Caratteristiche tecniche:

- **Medium : compressed air or inert gases, filtered, lubricated and non lubricated**  
Fluido : aria compressa o gas inerti, filtrata, lubrificata e non lubrificata
- **Operating pressure : 2/12bar - special execution available 18bar**  
Pressione d'esercizio : 2/12bar - disponibile esecuzione speciale 18bar
- **Operating temperature : -20°C up to 80°C (NBR); -25°C up to 90°C (FKM)**  
-40°C up to 80°C (EPDM); -60°C up to 90°C (FVMQ / HNBR)  
Temperatura di esercizio: -20°C + 80°C (NBR); -25°C + 90°C (FKM)  
-40°C + 80°C (EPDM); -60°C +90°C (FVMQ / HNBR)
- **Materials : Body SS316L; Element in PU or Element in PU or low temperature PU**  
Materiali : Corpo in AISI316L; elemento in PU o PU bassa temperatura

MODEL MODELLO	THREAD FILETTO	Dn mm	ELEMENT MATERIALE	WP PN	CV IN	CV OUT
VSR02NSS*	1/8" NPT	8	PU or LT PU	2-12BAR	-	-
VSR04NSS*	1/4" NPT	8	PU or LT PU	2-12BAR	1.2	2.0
VSR06NSS*	3/8" NPT	10	PU or LT PU	2-12BAR	3.6	6.9
VSR08NSS*	1/2" NPT	12	PU or LT PU	2-12BAR	4.3	6.9
VSR12NSS*	3/4" NPT	19	PU or LT PU	2-12BAR	10.0	11.3
VSR16NSS*	1" NPT	19	PU or LT PU	2-12BAR	10.5	15.7

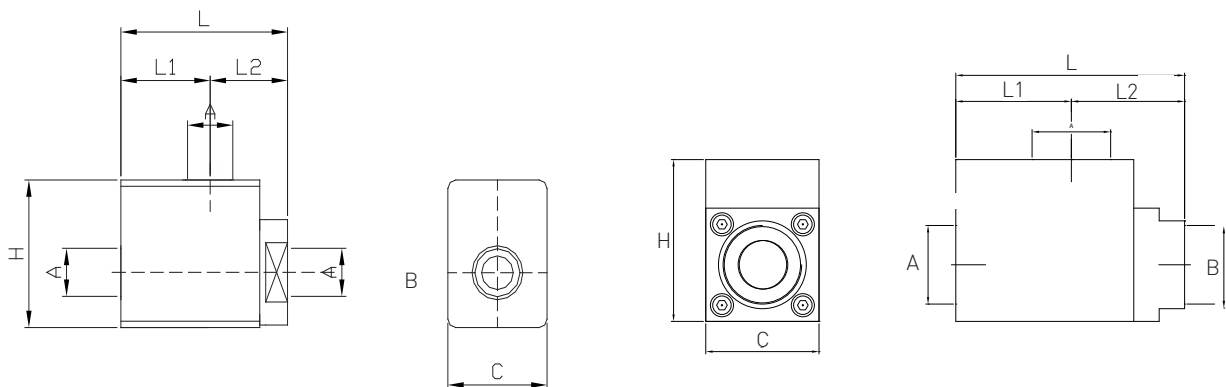
\*Refers to seals type. Add:  
FK→FKM NB→NBR LT→EPDM FL→FVMQ HN→HNBR

## Overall dimension

Dimensioni di ingombro

VSR02, VSR04

VSR06, VSR08, VSR12, VSR16



MODEL MODELLO	THREAD FILETTO	B	L mm	L1 mm	L2 mm	H mm	C mm
VSR02NSS*	1/8" NPT	1/4" NPT	42	22,5	19,5	35	25
VSR04NSS*	1/4" NPT	1/4" NPT	42	22,5	19,5	35	25
VSR06NSS*	3/8" NPT	1/2" NPT	56	33	23	53	40
VSR08NSS*	1/2" NPT	1/2" NPT	56	33	23	53	40
VSR12NSS*	3/4" NPT	3/4" NPT	99	50	49	70	49
VSR16NSS*	1" NPT	1" NPT	99	50	49	70	49

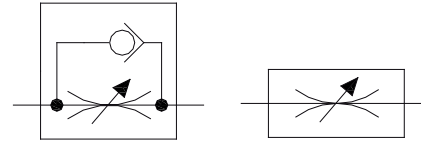
\*Refers to seals type. Add: FK→FKM NB→NBR LT→EPDM FL→FVMQ HN→HNBR

www.sitecna.eu

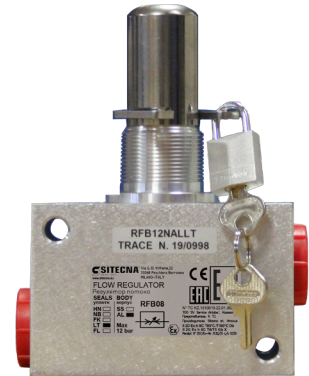
## Copper free aluminum alloy flow regulators - RF serie

Regolatori di flusso in alluminio esente rame - serie RF

Flow regulators are generally used to control the outflow of a media . A complete range of needle valves and flow regulators provides a variety of choices between uni or bi-directional versions and different precision features.



- Suitable for air or gas service
- Different end connections available
- 12bar max working pressure
- ATEX 2014/34/UE II 2G Ex h IIC T6/T5 Gb X  
 II 2D Ex h IIIIC T85°C/T100°C Db X
- & approved



I regolatori di flusso sono generalmente impiegati per il controllo della portata di efflusso del fluido controllato. Una selezione completa di regolatori consente un'ampia scelta fra le diverse tipologie, uni e bidirezionali e con diverse caratteristiche di precisione.

- Idonei per utilizzo con aria o gas
- Disponibili con varietà di connessioni
- Pressione di lavoro massima 12bar
- ATEX 2014/34/UE II 2G Ex h IIC T6/T5 Gb X  
 II 2D Ex h IIIIC T85°C/T100°C Db X
- Approvato ed

## Accessories and repair kit

Accessori e ricambi

<b>Anti-tamper kit / Kit anti-manomissione</b>	<b>Items</b> KTAM04-08
<b>Maintenance kit / Kit manutenzione</b>	<b>Items</b> K-RF-04-AL-**[1/4"] K-RF-08-AL-**[3/8", 1/2"] K-RF-16-AL-**[3/4", 1"]

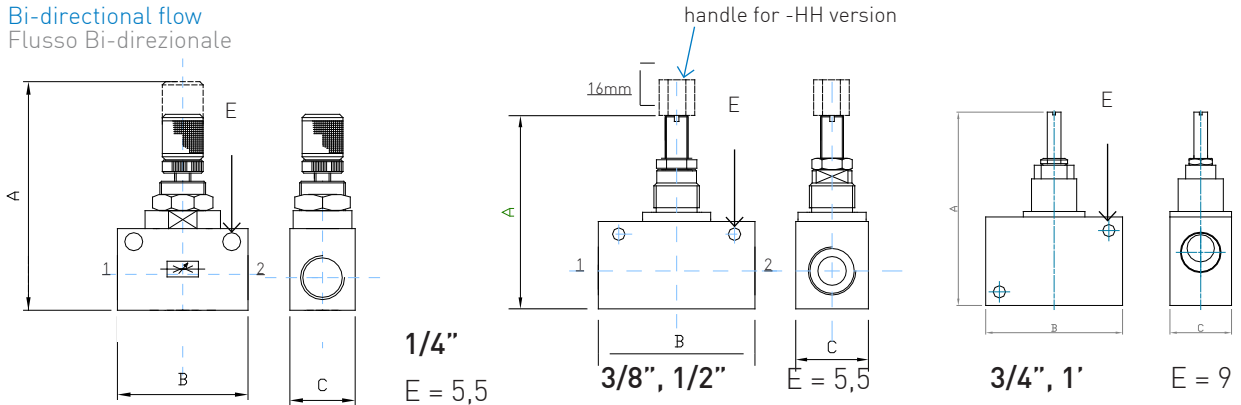
\*\* Refers to seals type: FK→FKM NB→NBR LT→EPDM FL→FVMQ HN→HNBR

BT-RFAL/C24A

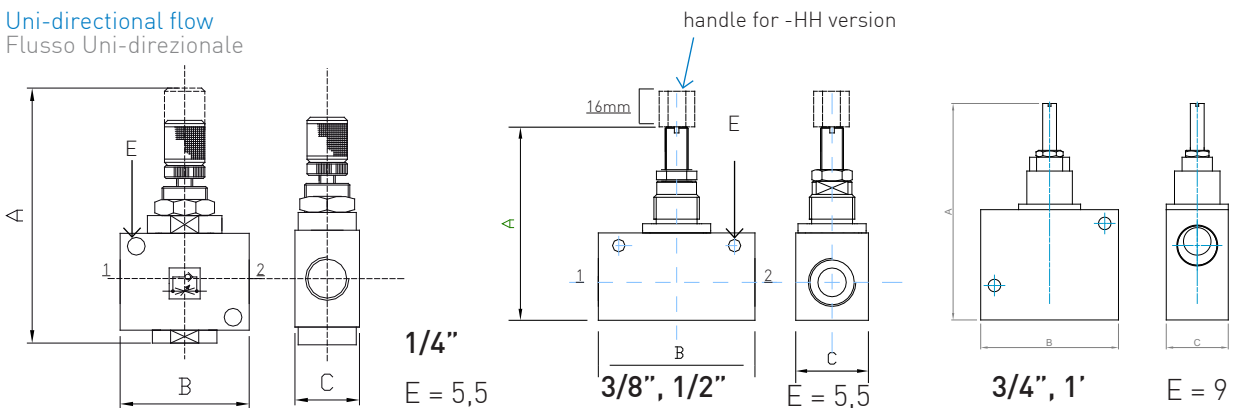
## Overall dimension

Dimensioni di ingombro

Bi-directional flow  
Flusso Bi-direzionale



Uni-directional flow  
Flusso Uni-direzionale



MODEL MODELLO	FUNCTION FUNZIONE	THREAD FILETTO	A mm	B mm	C mm	CV - Max flow 6 bar CV - Portata max 6 bar		Dn mm
						1→2	1←2	
RFB04NAL*	Bidirectional	1/4"NPT	70	40	20	1.05	--	6.5
RFB06NAL*	Bidirectional	3/8" NPT	84	69	32	3.56	--	12.5
RFB08NAL*	Bidirectional	1/2"NPT	84	69	32	3.56	--	12.5
RFB12NAL*	Bidirectional	3/4"NPT	142	100	45	8	--	18
RFB16NAL*	Bidirectional	1"NPT	142	100	45	9.94	--	20
RFU04NAL*	Unidirectional	1/4"NPT	70	40	20	1.05	1.45	6.5
RFU06NAL*	Unidirectional	3/8"NPT	84	69	32	3.56	4.36	12.5
RFU08NAL*	Unidirectional	1/2"NPT	84	69	32	3.56	4.36	12.5
RFU12NAL*	Unidirectional	3/4"NPT	142	100	45	8	9.2	18
RFU16NAL*	Unidirectional	1"NPT	142	100	45	9.94	11.14	20

\* for choosing seals' materials, add to the code the following digit (standard if not specified = NBR)

per i materiali delle tenute, aggiungere al codice i seguenti digit (standard se non specificato = NBR)

NB = NBR seals (WT -20°C/+80°C)

LT = EPDM seals (WT -40°C/+80°C)

FK = FKM seals (WT -25°C/+90°C)

FL / HN = FVMQ + EPDM / HNBR (WT -55°C/+90°C)

**NB: add -HH at the end of the code to have version with handle; for 1/4"NPT is standard.  
add PM at the end of the code to have version with panel nut.**

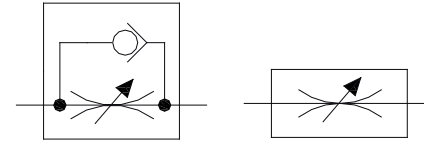
NB: aggiungere -HH alla fine del codice per avere la versione con pomello; per 1/4"NPT è standard  
aggiungere PM alla fine del codice per avere la versione con dado per montaggio a pannello

www.sitecna.eu

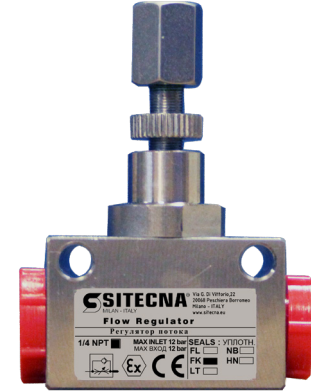
## SS316L flow regulators - RF serie

Regolatori di flusso in AISI316L - serie RF

Flow regulators are generally used to control the outflow of a media . A complete range of needle valves and flow regulators provides a variety of choices between uni or bi-directional versions and different precision features.



- Suitable for air or gas service
- Robust SS316L design
- Different end connections available
- 12bar max working pressure
- ATEX 2014/34/UE II 2G Ex h IIC T6/T5 Gb X  
II 2D Ex h IIIC T85°C/T100°C Db X
- & approved



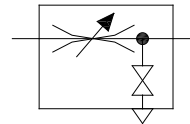
I regolatori di flusso sono generalmente impiegati per il controllo della portata di efflusso del fluido controllato. Una selezione completa di regolatori consente un'ampia scelta fra le diverse tipologie, uni e bidirezionali e con diverse caratteristiche di precisione.

- Idonei per utilizzo con aria o gas
- Robusta costruzione in AISI316L
- Disponibili con varietà di connessioni
- Pressione di lavoro massima 12bar
- ATEX 2014/34/UE II 2G Ex h IIC T6/T5 Gb X  
II 2D Ex h IIIC T85°C/T100°C Db X
- Approvato ed

## Alternative model - available on request

Modelli alternativi - Disponibile su richiesta

- drilled non closing valve
- panel mount nut option (add PM to the code)
- optional bleed - instrument block & bleed valve (add /V to the code)
- foratura valvola non chiude
- versione predisposta per montaggio a pannello (aggiungere PM al codice)
- opzione - block & bleed (aggiungere /V al codice)



Block and bleed version

## Accessories and repair kit

Accessori e ricambi

Anti-tamper kit / Kit anti-manomissione	Items KTAM04-08
Maintenance kit / Kit manutenzione	Items K-RF-04-SS-**[1/4"] K-RF-08-SS-**[3/8", 1/2"] K-RF-16-SS-**[3/4", 1"]

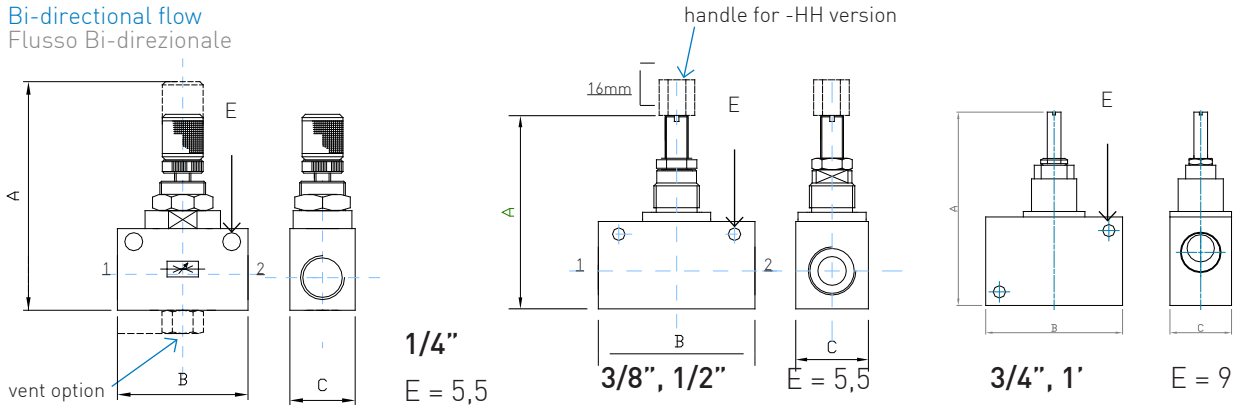
\*\* Refers to seals type: FK→FKM NB→NBR LT→EPDM FL→FVMQ HN→HNBR

BT-RFSS/C24A

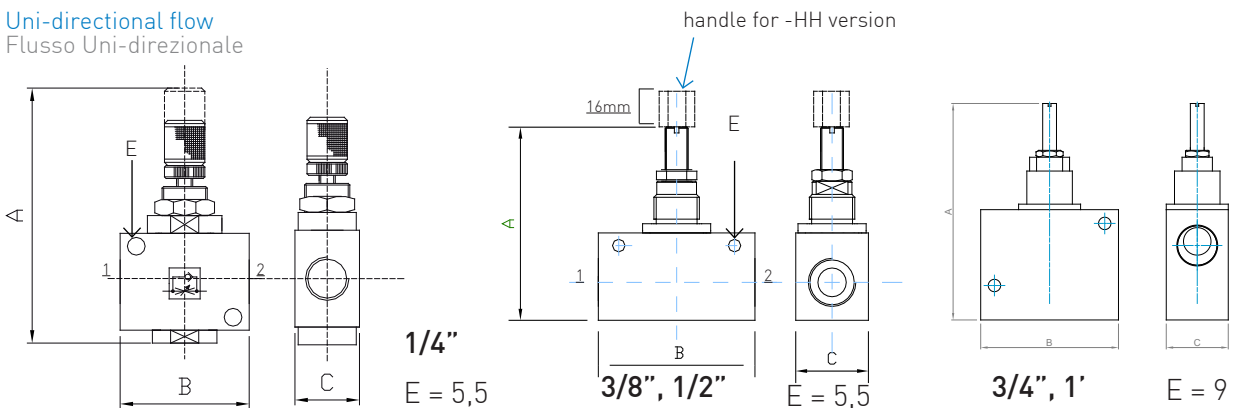
## Overall dimension

Dimensioni di ingombro

### Bi-directional flow Flusso Bi-direzionale



### Uni-directional flow Flusso Uni-direzionale



MODEL MODELLO	FUNCTION FUNZIONE	THREAD FILETTO	A mm	B mm	C mm	CV - Max flow 6 bar CV - Portata max 6 bar		Dn mm
						1→2	1←2	
RFB04NSS*	Bidirectional	1/4"NPT	70	40	20	1.05	--	6.5
RFB06NSS*	Bidirectional	3/8" NPT	84	69	32	3.56	--	12.5
RFB08NSS*	Bidirectional	1/2"NPT	84	69	32	3.56	--	12.5
RFB12NSS*	Bidirectional	3/4"NPT	142	100	45	8	--	18
RFB16NSS*	Bidirectional	1"NPT	142	100	45	9.94	--	20
RFU04NSS*	Unidirectional	1/4"NPT	70	40	20	1.05	1.45	6.5
RFU06NSS*	Unidirectional	3/8"NPT	84	69	32	3.56	4.36	12.5
RFU08NSS*	Unidirectional	1/2"NPT	84	69	32	3.56	4.36	12.5
RFU12NSS*	Unidirectional	3/4"NPT	142	100	45	8	9.2	18
RFU16NSS*	Unidirectional	1"NPT	142	100	45	9.94	11.14	20

\* for choosing seals' materials, add to the code the following digit (standard if not specified = NBR)

per i materiali delle tenute, aggiungere al codice i seguenti digit (standard se non specificato = NBR)

NB = NBR seals (WT -20°C/+80°C)

LT = EPDM seals (WT -40°C/+80°C)

FK = FKM seals (WT -25°C/+90°C)

FL / HN = FVMQ + EPDM / HNBR (WT -55°C/+90°C)

**NB: add -HH at the end of the code to have version with handle; for 1/4"NPT is standard.  
add PM at the end of the code to have version with panel nut.**

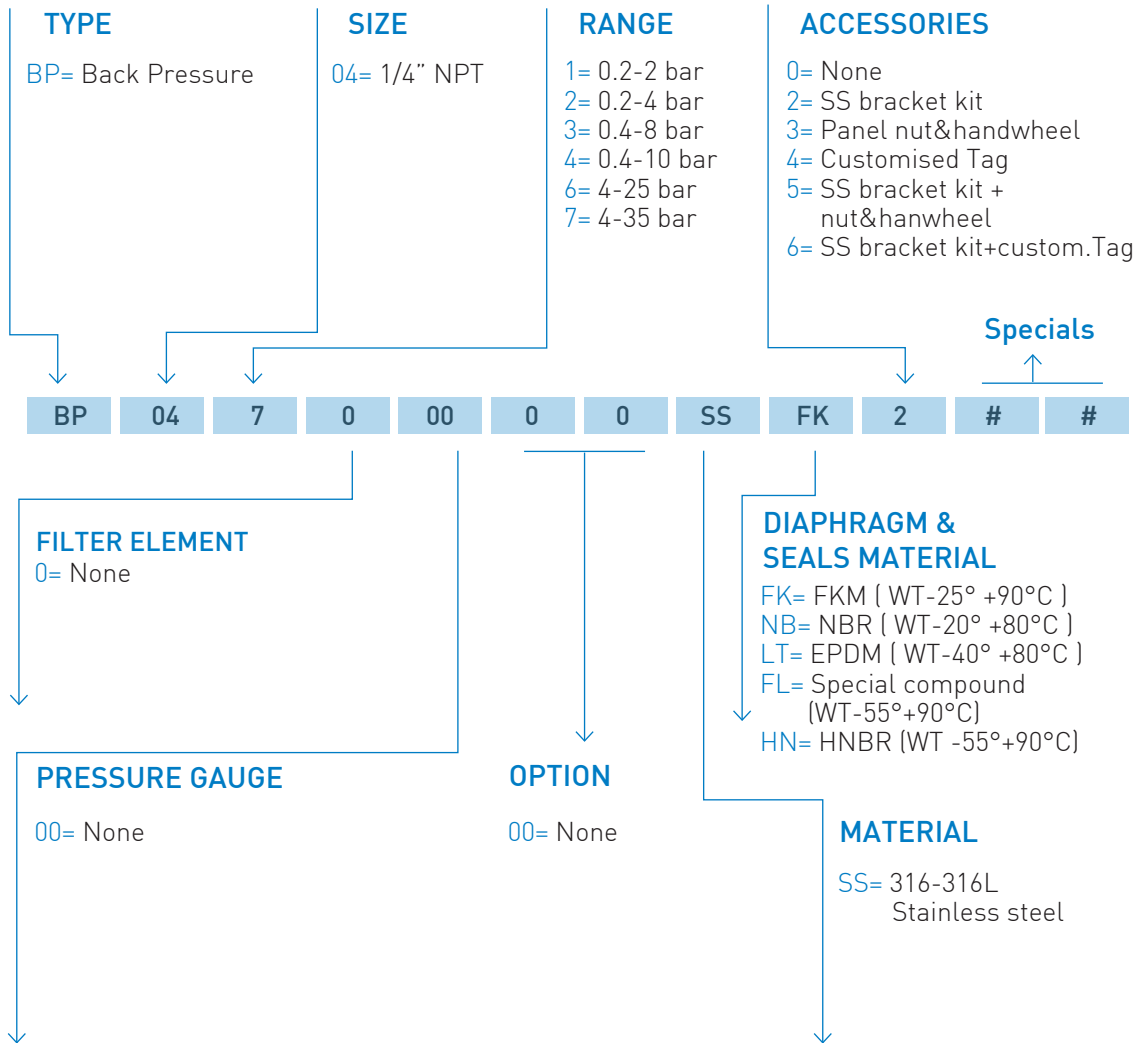
NB: aggiungere -HH alla fine del codice per avere la versione con pomello; per 1/4"NPT è standard  
aggiungere PM alla fine del codice per avere la versione con dado per montaggio a pannello



# Ordering information - Back-pressure regulators

## Come ordinare - Regolatori back-pressure

www.sitecna.eu



### CODE EXAMPLES

BP	04	7	0	00	0	0	SS	FK	2		
----	----	---	---	----	---	---	----	----	---	--	--

**1/4" NPT, SS316, 4 to 35 bar range, back-pressure regulator, ss bracket kit and FKM diaphragm & seals**

Regolatore di back-pressure da 1/4" NPT in AISI316, range regolato 4/35 bar, staffa inox, diaframma e tenute in FKM

01-BP/20A

## AISI316L 1/4" back pressure regulator - BP Series

Regolatore di contropressione da 1/4" in AISI316- Serie BP

- Suitable for automation equipment to onshore, offshore, pharmaceutical, medical and food applications
- Excellent accuracy
- Full material traceability
- Gauge port option
- ATEX 2014/34/UE II 2G Ex h IIC T6/T5 Gb X  
II 2D Ex h IIIC T85°C/T100°C Db X
- & approved

- Adatto per automazione in applicazioni marine, petrolchimiche farmaceutiche, medicali e alimentari
- Eccellente precisione
- Completa rintracciabilità dei materiali
- Varianti connessioni manometri
- ATEX 2014/34/UE II 2G Ex h IIC T6/T5 Gb X  
II 2D Ex h IIIC T85°C/T100°C Db X
- Approvato ed



<b>Media / Fluido</b>	<b>Compressed air, inert gases, sweet and sour gases</b>
<b>Port thread / Connessioni</b>	<b>1/4" NPT</b>
<b>Gauge Connection</b> Connessione manometro	<b>1/8"NPT (1/4"NPT option)</b>
<b>Filtering element</b> Elemento filtrante	<b>coalescing or 5, 25, 40 micron in st. st. 316</b>
<b>Max inlet pressure /</b> Pressione massima di ingresso	<b>Equal to pressure control range</b>
<b>Drain valve/ Scarico condensa</b>	<b>Manual or automatic</b>
<b>Control range ( psi )</b> <b>Campo di regolazione ( bar )</b>	<b>3-30 3-60 5-120 5-150 60-365 60-500</b> <b>0.2-2 0.2-4 0.4-8 0.4-10 4-25 4-35</b>
<b>Working temperature /</b> Temperatura di esercizio	<b>-20°C up to 80°C (NBR); -25°C up to 90°C (FKM); -40°C up to 80°C (EPDM); -55° up tp 90°C (FVMQ)*</b>

\*Special version in HNBR (WT -55°C + 90°C)

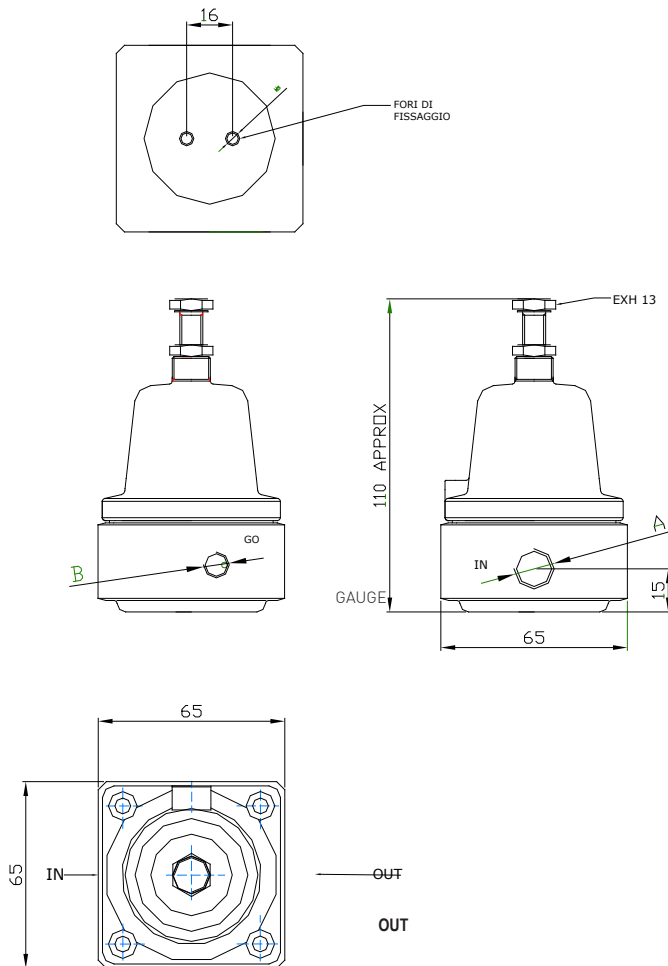
The BP series is a general-purpose regulator designed to control back-pressure levels in process or analytical systems upstream of the regulator. Its feature make it ideal for many type of application.

La serie BP è un regolatore per applicazioni generiche progettato per controllare i valori di contropressione a valle del regolatore di pressione nei sistemi di processo o di analisi. Le sue caratteristiche lo rendono adatto a molteplici applicazioni.

<b>BUILDING MATERIALS</b>	<b>Materiali costruttivi</b>
<b>Body, bonnet, end plate in AISI 316/316L stainless steel</b>	Corpo, coperchio, piastra inferiore acciaio inossidabile AISI316/316L
<b>Internals, adjustment screw, bracket, lock and panel nuts, fixing screws in stainless steel</b>	Parti interne, vite di regolazione, staffa, dadi di bloccaggio e pannello, viti di fissaggio in acciaio inossidabile
<b>Diaphragm &amp; seals in elastomer</b>	Diaframma eguarnizioni in elastomero

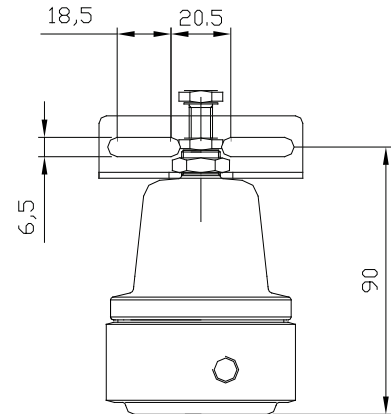
## Overall dimension

Dimensioni di ingombro



## Wall bracket dimension

Dimensioni staffa



## Accessories

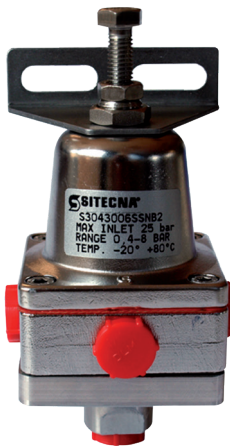
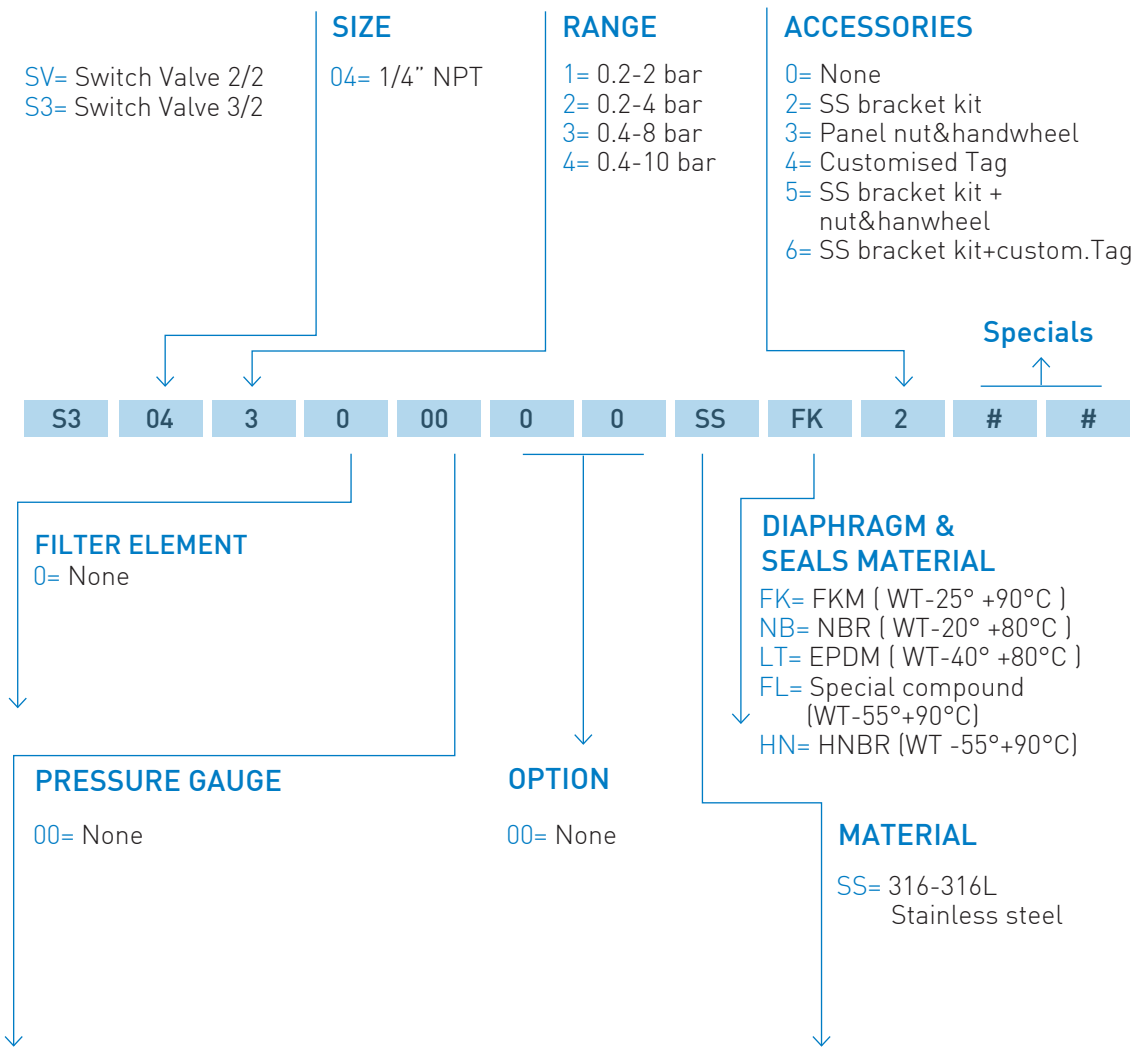
Accessori

Pressure gauge DN40mm, all SS, Bar+psi+kpa range / Manometro DN40mm, tutto inox, scala Bar+psi+kpa	0-2,5 bar MBS6P4S2PN04 0-4bar MBS6P4S2PN05 0-10bar MBS6P4S2PN07
Bracket / Staffa	SQ-FR04
Anti-tamper kit / Kit anti-manomissione	KTAM04-08

# Ordering information - Switch valves

Come ordinare - Switch valves

www.sitecna.eu



### CODE EXAMPLES

SV 04 3 0 00 0 0 SS FK 2

**1/4"NPT, SS316, 0 to 8 bar range, 2 ways switch valve, ss bracket kit and FKM diaphragm & seals**

Valvola a due vie da 1/4"NPT in AISI316, range regolato 0/8 bar, staffa inox, diaframma e tenute in FKM

S3 04 4 0 00 0 0 SS LT 0

**1/4"NPT, SS316, 0 to 10 bar range, 3 ways switch valve, EPDM diaphragm & seals**

Valvola a tre vie da 1/4"NPT in AISI316, range regolato 0/10 bar, diaframma e tenute in EPDM

01-SVS3/21A

## AISI316L 1/4" switching valve pneumatically operated - SV and S3 Series

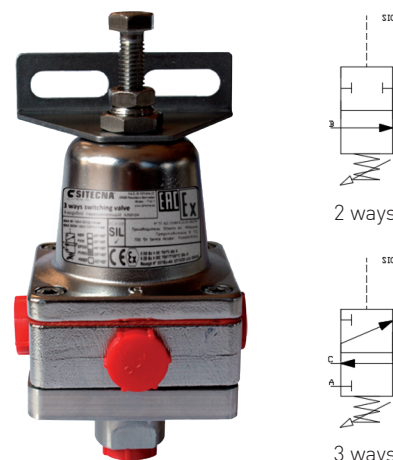
Valvola di commutazione ad azionamento pneumatico 1/4" in AISI316L - Serie SV e S3

www.sitecna.eu

- AISI 316L construction
- Excellent accuracy
- Easy, accurate adjustment
- 2/2 valve on off control
- 3/2 normally open switching valve
- ATEX 2014/34/UE II 2G Ex h IIC T6/T5 Gb X  
II 2D Ex h IIIC T85°C/T100°C Db X

• & approved / SIL 3 - IEC 61508

- Materiale di costruzione AISI 316L
- Eccellente precisione
- Facile e precisa regolazione
- Valvola 2/2 di controllo on off
- Valvola di commutazione 3/2 NA
- ATEX 2014/34/UE II 2G Ex h IIC T6/T5 Gb X  
II 2D Ex h IIIC T85°C/T100°C Db X
- Approvato ed / SIL 3 - IEC 61508



Media / Fluido	Compressed air, inert gases, sweet and sour gases
Port thread / Conessioni	1/4" NPT
Signal Port / Connessione segnale	1/8" NPT (1/4" NPT option)
Max inlet pressure (psi)/ Pressione massima di ingresso (bar)	150 10
Maximum signal (psi) / Segnale Massimo (bar)	100 7
Control range ( psi ) Campo di regolazione ( bar )	3-30 3-60 5-120 5-150 0.2-2 0.2-4 0.4-8 0.4-10
Working temperature / Temperatura di esercizio	-20°C up to 80°C (NBR); -25°C up to 90°C (FKM); -40°C up to 80°C (EPDM); -55° up tp 90°C (FVMQ)*

\*Special version in HNBR (WT -55°C + 90°C)

The Types SV switching valves is a pneumatically operated and controlled units, built with a wide range of capabilities to handle those switching application that involve on-off control, and failure modes. Operation of valve occurs when the pneumatic signal changes accordingly to the spring range. The Sv model switching valve is typically used as a normally close on-off switch. The model S3 switching valve directs flow through three ports. With a choice of springs for optimum resolution, the switching point is set to a specific requirement by an adjusting screw placed on top of the cover.

La valvola di commutazione tipo SV è un dispositivo azionato e controllato pneumaticamente, costruito con un'ampia gamma di possibilità per controllare applicazioni di commutazione che coinvolgono il controllo on-off e le modalità guasto. Il funzionamento della valvola avviene quando il segnale pneumatico varia in funzione delle caratteristiche della molla utilizzata. La valvola di commutazione modello SV è utilizzata tipicamente come interruttore on-off normalmente chiuso. Il modello S3 consente il passaggio del flusso in tre connessioni. Con la possibilità di scegliere diverse molle per una risoluzione ottimale, il punto di commutazione è regolato per mezzo di una vite posta nella parte superiore del coperchio.

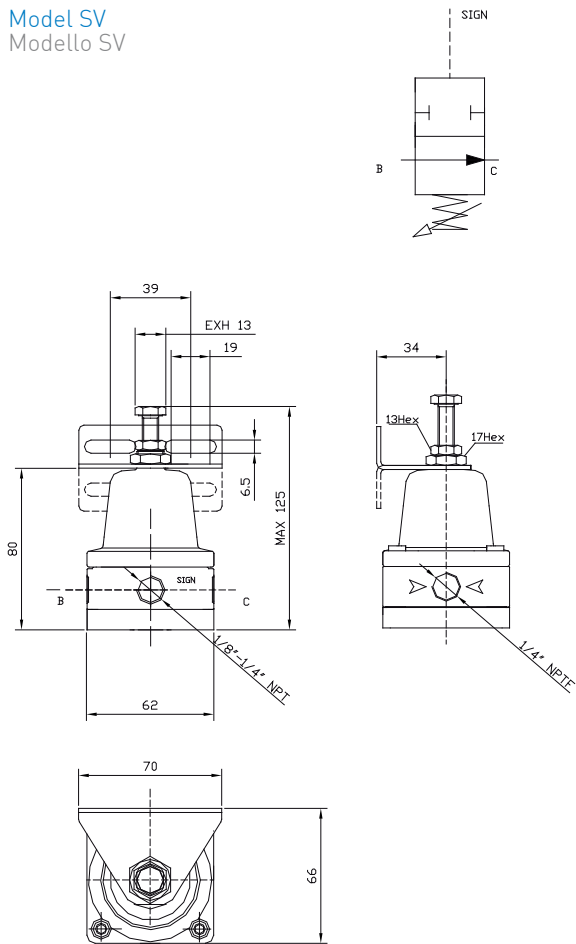
BUILDING MATERIALS	Materiali costruttivi
Body, bonnet, end plate in AISI 316/316L stainless steel	Corpo, coperchio, piastra inferiore acciaio inossidabile AISI316/316L
Internals, adjustment screw, bracket, lock and panel nuts, fixing screws in stainless steel	Parti interne, vite di regolazione, staffa, dadi di bloccaggio e pannello, viti di fissaggio in acciaio inossidabile
Diaphragm & seals in elastomer	Diaframma eguarnizioni in elastomero

BT-SV04/C21A

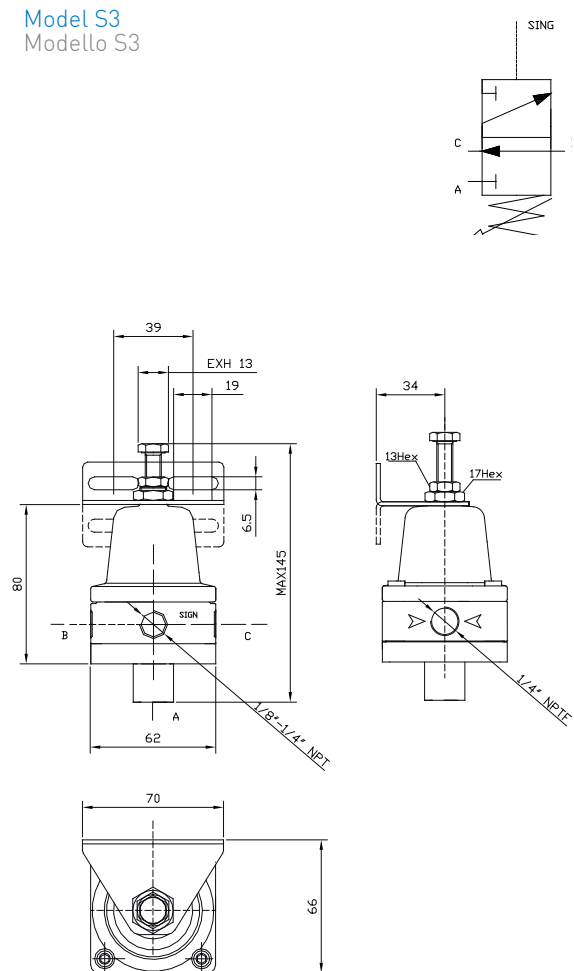
## Overall dimension

Dimensioni di ingombro

Model SV  
Modello SV



Model S3  
Modello S3



## Accessories

Accessori

Pressure gauge DN40mm, all SS, Bar+psi+kpa range / Manometro DN40mm, tutto inox, scala Bar+psi+kpa	0-2,5 bar MBS6P4S2PN04 0-4bar MBS6P4S2PN05 0-10bar MBS6P4S2PN07
Bracket / Staffa	SQ-FR04
<b>Anti-tamper kit / Kit anti-manomissione</b>	<b>KTAM04-08</b>

BT-SV04/C20B

www.sitecna.eu

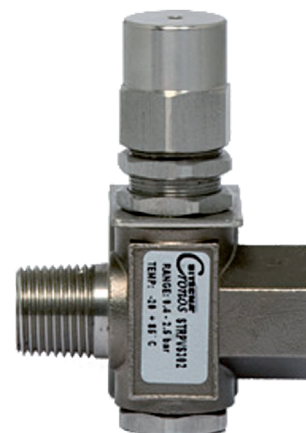
## SS316L adjustable overlad protector - Mod. SCLP30

Limitatore di pressione tarabile in AISI316L - Mod. SCLP30

This unit is intended as protector device to safeguard pressure gauges against the effect of pressures exceeding maximum pressure rating.

The overpressure protector consists of a piston valve spring actuated. Under normal pressure condition the spring holds the valve open. When in the system pressure exceeds the set value, the force exerted by the spring is overcome and the piston valve closes. The valve will remain in this position until the pressure value in the system drops approx 20-25% below the set pressure, then the force of the spring will open the valve.

The unit must not be used as safety device.



- No leakage when closing
- Adjustable from 0.4 to 400 bar
- Repeatability 1.6%
- Factory setting possible
- ATEX 2014/34/UE
- II 2G Ex h IIC T6/T5 Gb X  
 II 2D Ex h IIIC T85°C/T100°C Db X
- & approved

- Tenuta perfetta in chiusura
- Regolabile da 0.4 a 400 bar
- Ripetibilità di intervento 1.6%
- Possibilità di taratura in fabbrica
- ATEX 2014/34/UE
- II 2G Ex h IIC T6/T5 Gb X  
 II 2D Ex h IIIC T85°C/T100°C Db X
- Approvato ed

Questo dispositivo è utilizzato come elemento di protezione per salvaguardare i manometri dagli effetti causati dal superamento di un valore massimo di pressione prefissato.

Il limitatore di pressione è costituito da una valvola a pistone azionata da una molla. In condizioni di normale funzionamento la molla mantiene in condizione di apertura il pistone. Quando nel sistema la pressione supera il valore di taratura la forza esercitata dalla molla viene superata e la valvola si chiude. La valvola rimane in questa posizione sino a che il valore di pressione nel sistema si riduce di circa il 20-25% al di sotto del valore di taratura, dopo di che la molla riaprirà la valvola.

Il dispositivo di protezione non deve essere considerato elemento di sicurezza.

### Versioni disponibili

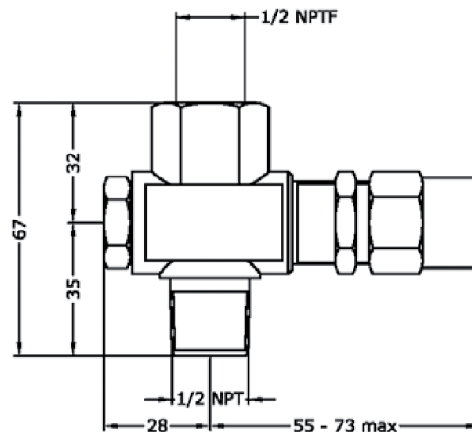
Versioni disponibili

Cracking Pressure ranges Campo di regolazione	Part number Codice	Weight Peso
0.4 – 2.5 bar	SCLP302	0.5 kg
1.5 – 12 bar	SCLP303	0.5 kg
5 – 25 bar	SCLP304	0.5 kg
10 – 40 bar	SCLP305	0.5 kg
25 – 100 bar	SCLP306	0.5 kg
50 – 250 bar	SCLP307	0.5 kg
200 – 400 bar	SCLP308	0.5 kg
Special range on request / Campi speciali a richiesta		

BT-SCLP/C20A

## Typical overall dimension

Dimensioni di ingombro tipiche



## Standard features

Caratteristiche standard

<b>Port connection</b> Connessioni	1/2" NPT
<b>Body</b> Corpo	AISI316
<b>Wetted parts</b> Parti a contatto con fluido	AISI316L - FPM
<b>O ring</b> O ring	FPM
<b>Spring</b> Molla	DIN 17224
<b>Operating temperature</b> Temperatura di funzionamento	2 + 80° C*

## Application

Applicazioni

- **Material of construction allow the unit To be used for corrosive pressure media, even in corrosive ambient**
- **Process industry**
- **Mechanical engineering and plan construction**
- **Onshore and offshore**
- **Power station**
- **Chemical and petrochemical plant**
- **Mining**
- I materiali di costruzione del dispositivo consentono l'impiego con fluidi aggressivi in pressione ed anche in ambienti aggressivi
- Industria di processo
- Ingegneria meccanica e delle costruzioni
- Onshore ed offshore
- Centrali elettriche
- Impianti chimici e petrolchimici
- Attività minerarie



## Section C – Section C – Instruments & accessories Sezione B – Strumenti ed accessori

### A range of instruments and accessories designed for specific applications to optimize the installations

- Flow meters for analysis, Variable flow vacuum pumps, Silencers and Pressure gauges
- Stainless steel complete construction
- Idoneus for installation in classified areas
- Eventual seals available in FPM, EPDM, specials
- Strong construction
- Easy maintenance
- Full material traceability
- Certifications to EN10204 3,1
- 100% Italian production
- 100% tested
- 24 hours shipment service available
- ATEX and EAC certified range



### Una gamma di accessori e strumenti realizzati per applicazioni specifiche e per ottimizzare le installazioni

- Flussimetri per analisi, Eiettori a portata variabile, Silenziatori e Manometri
- Costruzione completamente in acciaio inossidabile
- Idonei per installazione in area classificata
- Eventuali tenute in FPM, EPDM, speciali
- Costruzione robusta
- Facilità nelle eventuali manutenzioni
- Completa rintracciabilità di tutti i componenti
- Certificati EN10204 3,1
- Produzione 100% italiana
- Collaudo al 100%
- Spedizioni in 24 ore
- Certificati ATEX e EAC



### AISI316L high flow, bug-screen & flush silencers

- Stainless steel 316L complete construction
- 1/8", 1/4", 3/8", 1/2", 3/4", 1" sizes
- Std NPT threads
- Certifications to EN10204 3,1, ATEX, EAC
- 100% Italian production

### Silenziatori ad alta portata, anti-insetto e a scomparsa in AISI316L

- Costruzione completamente in AISI316L
- Taglie da 1/8", 1/4", 3/8", 1/2", 3/4", 1"
- Filettature std NPT
- Certificati EN10204 3,1, ATEX, EAC
- Produzione 100% italiana



## Index - Indice

p.158 **Stainless steel 316L glass tube flow meter**  
Flussimetri a tubo vi vetro in AISI316

1/8"NPT



p.159 **SS316L variable flow vacuum pump**  
Eiettori a portata regolabile in AISI316L

1/4"NPT



p.161 **AISI316L sample probe**  
Sonda di campionamento in AISI316L

**NEW  
PRODUCT**

1/2" NPT F



p.163 **Aluminum & SS316L silencers**  
Silenziatori di scarico in alluminio ed AISI316L

1/8", 1/4", 3/8", 1/2", 3/4", 1"NPT



p.165 **Stainless steel 316L Dust Excluder**  
Dust Excluder in AISI316L

1/4", 3/8", 1/2", 3/4", 1"NPT



**p.166 Bourdon type pressure gauges**

Manometri Bourdon

**DN 40, 50, 60**

SS case/nickel plated brass connection; all Stainless steel



**p.168 Stainless Steel 316L Tamperproof kit**

Kit anti/manomissione in AISI316L

**suitable for 1/4, 3/8, 1/2", 3/4", 1"NPT  
FR, R, RF, BP, SV, S3**



**p.169 AISI316L Hexagon ball valves**

Valvole a sfera in AISI316L

**1/4", 1/2"**



**p.170 Auxiliary assembly fittings**

Raccordo ausiliari per montaggio

**30bar /450psi max operating pressure**



www.sitecna.eu

## AISI 316L glass tube flowmeter – FLGS series

Flussimetro a tubo di vetro in AISI 316L – serie FLGS

- Instant flowmeters for low flows
- Excellent accuracy
- Rear ports
- FKM gasket (other on demand)
- Low cost
- ATEX 2014/34/UE II 2G Ex h IIC T6/T5 Gb X
- & approved II 2D Ex h IIIC T85°C/T100°C Db X

- Flussimetro per misurazioni istantanee di basse portate
- Eccellente precisione
- Connessioni posteriori
- Guarnizioni in FKM (altre su richiesta)
- Basso costo
- ATEX 2014/34/UE II 2G Ex h IIC T6/T5 Gb X
- Approvato ed II 2D Ex h IIIC T85°C/T100°C Db X

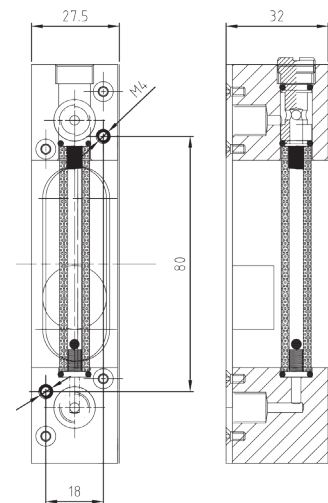


### Technical datas

Informazioni tecniche

Port threads Connessioni	1/8" NPT F
Flow range Portata	0.2-2,5 NL/m air 20°C P=1013mbar 0.8-10 NL/m air 20°C P=1013mbar
Accuracy Precisione	± 5% of max scale value
Length of reading scale Lunghezza scala lettura	63 mm
Float Galleggiante	Stainless Steel
Body material Materiale corpo	AISI 316L - Aluminum bracket
Metering tube Tubo di misura	Borosilicate glass (Pyrex)
Linings - Guarnizioni	FKM (other on demand)
Max Inlet Pressure Pressione max ingresso	10 bar
Temperature range Temperatura	-20° +90°C
Options Opzioni	Stainless steel bracket

### Dimension Dimensioni



### Ordering information

Come ordinare

#### FLOW

A = Flow 0.2 - 2,5 NL/m  
H = Flow 0.8 - 10 NL/m

**FLGSN H SE1 -VI**

#### SENSOR

000 = No alarm included  
SE1 = monostable alarm P+F RC10-14-NO  
SE2 = monostable alarm P+F NCB5-18GM40-NO\*  
\*only with flow H

#### METERING VALVE




-- = none  
VI = inlet metering valve  
VO = outlet metering valve

BT-FLGS/C24A





## AISI 316L Variable flow vacuum pump – VP serie

Eiettori a flusso variabile in AISI316L – serie VP

The variable performance of the vacuum pump is achieved by increasing the annular gap between the Venturi nozzle and the diffuser. Rotating the diffuser section counter clock-wise will increase the opening, allowing more compressed air to flow through the unit and increasing both the vacuum flow and the vacuum level. The result is variable vacuum pump that can be adjusted to meet an application's exact requirements.

- ATEX 2014/34/UE  II 2G Exh IIC T6/T5 Gb x
-  &  approved II 2D Exh IIIC T85°C/T100°C Db

Le prestazioni della pompa per vuoto sono ottenute aumentando lo spazio tra l'ugello Venturi ed il diffusore. Ruotando la sezione del diffusore in senso orario l'apertura aumenta permettendo il passaggio di una quantità maggiore di aria compressa attraverso l'unità incrementando il flusso di aspirazione ed il livello di vuoto. Il risultato è una pompa per il vuoto a flusso variabile che può essere regolata per soddisfare la più esigente richiesta

- ATEX 2014/34/UE  II 2G Exh IIC T6/T5 Gb x
-  approvato  ed  II 2D Rxh IIIC T85°C/T100°C Db

### Performance data\*

Prestazioni\*

- Vacuum level : -15" HG
- Max vacuum flow : 10 scfm
- Air consumption : 6scfm
- Livello di vuoto : -15" HG
- Flusso massimo di vuoto : 10 scfm
- Consumo d'aria: 6scfm

\*@80psi pressare supply

\* a 5.5 bar di alimentazione

SS316L version Model

ST-VP0204N4P

- High performance for vacuum flow rate and vacuum level .

Ottime prestazioni di portata e di livello di vuoto

- Non-clogging, straight -through design .

La progettazione a passaggio diretto impedisce ogni possibilità di intasamento

- Low air consumption ratio

Bassi consumi di aria

- Air velocity and flow are field adjustable to provide a wide range of conditions to meet individual application requirements .

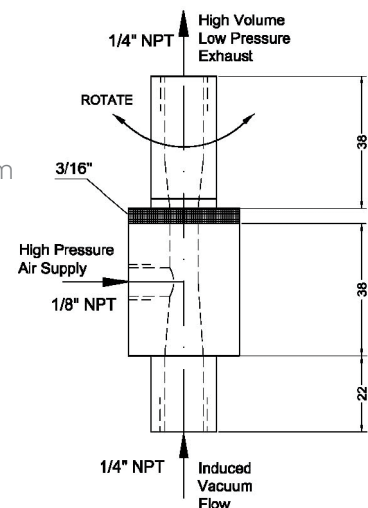
Possibilità di regolare la velocità e la portata dell'aria per fornire un'ampia versatilità di funzionamento e soddisfare le più varie esigenze.

- Can be used to pick and place concrete block or packaging materials

Può essere usato per realizzare l'effetto ventosa nell'automazione industriale

- Typical applications : remove liquid/solid mixtures in air driven vacuum cleaners from sump areas, blow drying, fume evacuation, cooling

Tipiche applicazioni : rimozione di composti solido/liquido in pompe di aspirazione per pozzi di estrazione, essiccazione, aspirazione fumi, raffreddamento



www.sitecna.eu

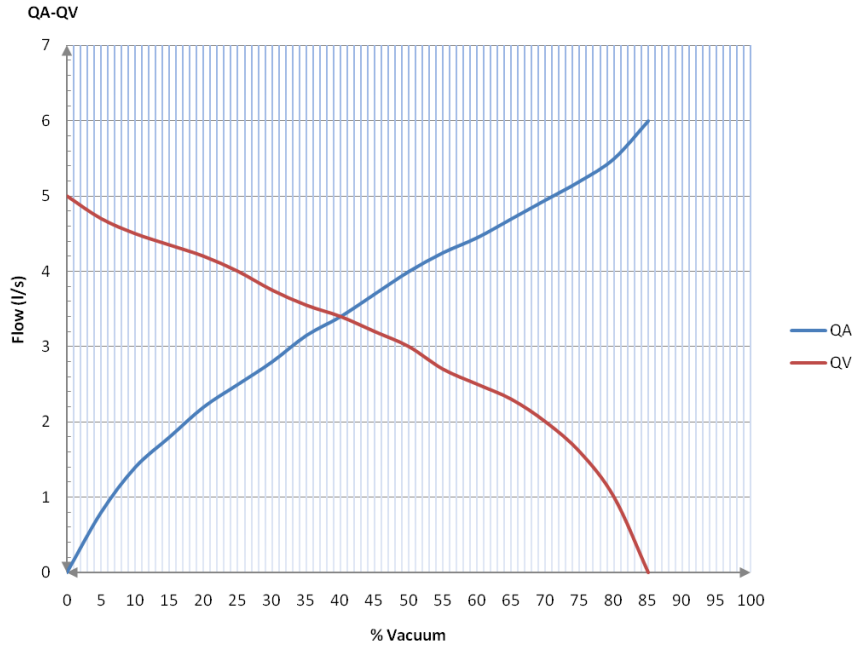
## Typical performance Characteristics

Caratteristiche tipiche

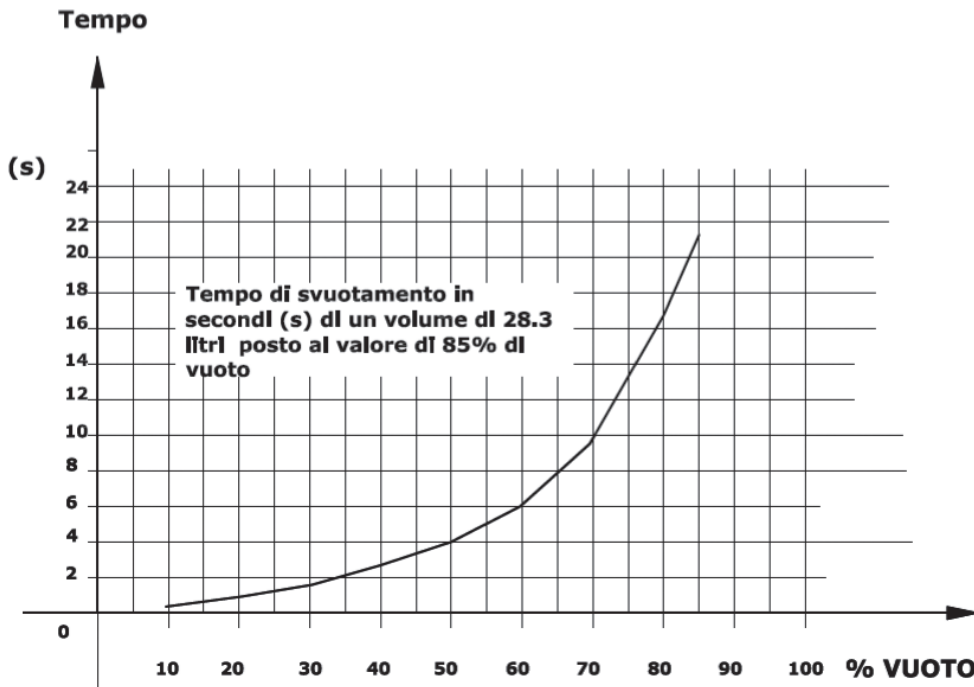
### Flow characteristics

Caratteristiche di portata

### PORTATA



Air Consumption QA (l/s) vs Vacuum level (%) @ 5.5 bar



Evacuation time (seconds) based on 28.3 litres volume @ 85% vacuum level

BT-VP/C20B

## AISI316 Sample probe

Sonda di campionamento in AISI316

- Suitable to process sampling applications
- Full stainless steel 316 construction
- Suitable for corrosive environments
- NPT standard threads (other on demand)
- Available with 3 micron, 5 micron, 40 micron SS316 porous closed end tube
- Modular design allows different std probe lengths

- Adatto in applicazioni di campionamento di processo
- Costruzione completamente in acciaio inossidabile AISI316
- Idonea per ambienti corrosivi
- Filetti NPT standard (altri su richiesta)
- Disponibili con sonda in SS316 sinterizzato da 3, 5 o 40 micron
- La costruzione modulare consente differenti lunghezze standard della sonda



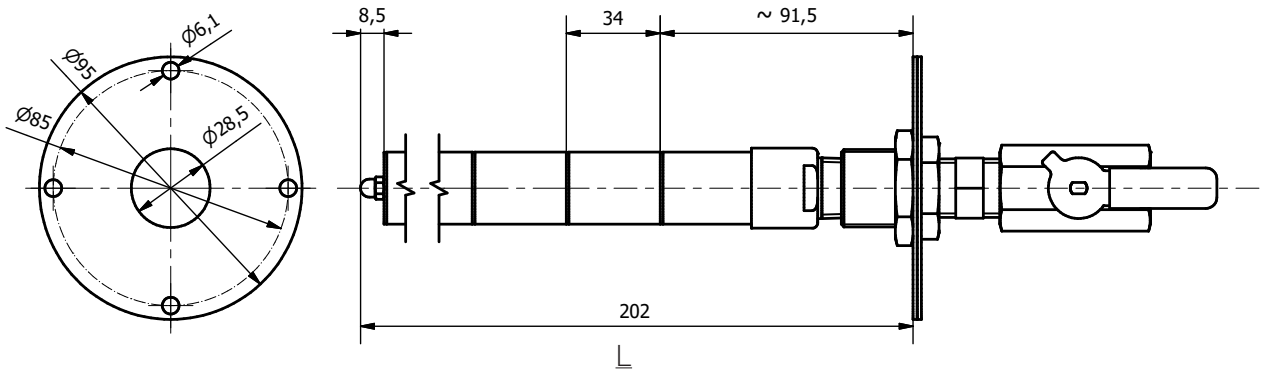
<b>Media / Fluido</b>	<b>Sample gases</b>
<b>Port thread / Connessioni</b>	<b>1/2" NPT F</b>
<b>Porous tube mesh</b> Dimensioni pori sonda	<b>3, 5, 40 micron in st. st. 316</b>
<b>Max working pressure /</b> Pressione massima di lavoro	<b>vacuum to 10bar</b>
<b>Working temperature /</b> Temperatura di esercizio	<b>-20 + 150°C</b>

BUILDING MATERIALS	Materiali costruttivi
Flange in stainless steel AISI316	Flangia in AISI316
Seals in elastomer	Tenute in elastomero
3, 5, 40 micron filtering element in AISI316 stainless steel	Elemento filtrante da 3, 5 e 40 micron in acciaio inossidabile AISI316
Ball valve & fittings in AISI316/316L	Valvola a sfera e raccordi in acciaio inossidabile AISI316/316L

www.sitecna.eu

## Overall dimension

Dimensioni



## Available Options & ordering info




Opzioni disponibili e come ordinare

<p><b>TYPE</b> SP= sample probe</p>	<p><b>SIZE</b> 08= DN 1/2"NPT + flanges</p>	<p><b>CONNECTION OPTIONS</b> 00= 1/2"NPT F 01= male connector for 1/4"OD tube 02= male connector for 6 mm OD tube B0= ball valve 1/2"NPT F B1= ball valve 1/2"NPT F+male connector for 1/4"OD tube B2= ball valve 1/2"NPT F+male connector for 6 mm OD tube</p>																														
<p>↓ ↓ ↓</p> <p><b>SP 08 B0 1 01 SS FK # #</b></p>																																
<p><b>TUBE MESH</b> 1= 5 micron 3= 40 micron 5= 3 micron</p>	<p><b>PROBE LENGHT (L in drawing)</b></p> <table border="0"> <tr> <td>01= 91,5mm</td> <td>07= 295,5mm</td> <td>13= 499,5mm</td> <td>19= 703,5mm</td> <td>25= 907,5mm</td> </tr> <tr> <td>02= 125,5 mm</td> <td>08= 329,5mm</td> <td>14= 543,5mm</td> <td>20= 737,5mm</td> <td>26= 941,5mm</td> </tr> <tr> <td>03= 159,5 mm</td> <td>09= 363,5mm</td> <td>15= 567,5mm</td> <td>21= 771,5mm</td> <td>27= 975,5mm</td> </tr> <tr> <td>04= 193,5mm</td> <td>10= 397,5mm</td> <td>16= 601,5mm</td> <td>22= 805,5mm</td> <td></td> </tr> <tr> <td>05= 227,5mm</td> <td>11= 431,5mm</td> <td>17= 635,5mm</td> <td>23= 839,5mm</td> <td></td> </tr> <tr> <td>06= 261,5mm</td> <td>12= 465,5mm</td> <td>18= 669,5mm</td> <td>24= 873,5mm</td> <td></td> </tr> </table>		01= 91,5mm	07= 295,5mm	13= 499,5mm	19= 703,5mm	25= 907,5mm	02= 125,5 mm	08= 329,5mm	14= 543,5mm	20= 737,5mm	26= 941,5mm	03= 159,5 mm	09= 363,5mm	15= 567,5mm	21= 771,5mm	27= 975,5mm	04= 193,5mm	10= 397,5mm	16= 601,5mm	22= 805,5mm		05= 227,5mm	11= 431,5mm	17= 635,5mm	23= 839,5mm		06= 261,5mm	12= 465,5mm	18= 669,5mm	24= 873,5mm	
01= 91,5mm	07= 295,5mm	13= 499,5mm	19= 703,5mm	25= 907,5mm																												
02= 125,5 mm	08= 329,5mm	14= 543,5mm	20= 737,5mm	26= 941,5mm																												
03= 159,5 mm	09= 363,5mm	15= 567,5mm	21= 771,5mm	27= 975,5mm																												
04= 193,5mm	10= 397,5mm	16= 601,5mm	22= 805,5mm																													
05= 227,5mm	11= 431,5mm	17= 635,5mm	23= 839,5mm																													
06= 261,5mm	12= 465,5mm	18= 669,5mm	24= 873,5mm																													
	<p>↓</p> <p><b>Specials</b></p>																															






## Stainless steel 316L & copper free aluminum silencers - SLHF/SLVP/SLSC\* series

Silenziatori in SS316L ed alluminio esente rame - Serie SLHF/SLVP/SLSC\*

- Available high flow, bug-screen and flush silencers
- Suitable to onshore, offshore, pharmaceutical, medical and food applications
- Full stainless steel 316L construction
- Suitable for corrosive environments
- NPT standard threads (other on demand)
- Quick delivery
- ATEX 2014/34/UE  II 2G Ex h IIC T6/T5 Gb X  
II 2D Ex h IIIC T85°C/T100°C Db X
-  &  approved



- Disponibili silenziatori ad alta portata, anti-insetto ed a scomparsa
- Adatto in applicazioni marine, petrolchimiche, farmaceutiche, medicali e alimentari
- Costruzione completamente in acciaio inossidabile AISI316L
- Idonei per ambienti corrosivi
- Filetti NPT standard
- Rapida consegna
- ATEX 2014/34/UE  II 2G Ex h IIC T6/T5 Gb X  
II 2D Ex h IIIC T85°C/T100°C Db X
- Approvato  ed 

<b>Media / Fluido</b>	Compressed air, inert gases, sweet and sour gases
<b>Connection / Conessioni</b>	1/8", 1/4", 1/2", 3/4", 1" NPT
<b>Working pressure</b> Pressione operativa	0...12bar
<b>Operating Temperature</b> Temperatura di esercizio	-55°C up to 150°C
<b>Rumor reduction</b> Riduzione del rumore	70%
<b>Threads type / Tipi di filetto</b>	NPT male std, BSPP (on request)

Air supply must be dry enough to avoid ice formation at temperatures below +2°C (+35°F).

\*NB: 1/8" NPT SLSC flush silencers are available also with copper free aluminum alloy body

\*NB: i silenziatori a scomparsa SLSC da 1/8"NPT sono disponibili con corpo in alluminio esente rame

BUILDING MATERIALS SS316L VERSION	Materiali costruttivi versione in 316L
Body in 316/316L bar stock stainless steel	Corpo in acciaio inossidabile da barra AISI316/316L
Cup in 316/316L bar stock stainless steel	Fondello in acciaio inossidabile AISI316/316L
Filter in sinterized 316 stainless steel wire	Filtro in filo di acciaio inossidabile AISI316 sinterizzato
Screws in A4 stainless steel	Viti in acciaio inossidabile A4

BUILDING MATERIALS ALUMINUM VERSION - ONLY SLSC 1/8"NPT SERIES	Materiali costruttivi versione in alluminio - solo serie SLSC 1/8"NPT
Body in copper free aluminum alloy	Corpo in alluminio esente rame
Filter in 316 stainless steel wire	Filtro in filo di acciaio inossidabile AISI316

## Overall dimension

Dimensioni di ingombro

### SLHF - high flow silencers

SLHF - silenziatori ad alta portata

Fig.1

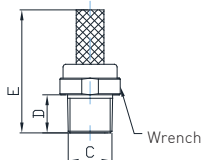
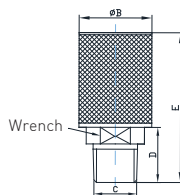


Fig.2



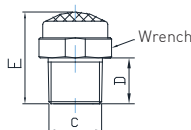
Models Modelli	Size-C Taglia	Thread Filetto	E (mm)	D (mm)	B (mm)	Wrench Chiave	Drawing Disegno
SLHF02NSS	1/8"	NPT male	28,5	9	-	13	Fig 1
SLHF04NSS	1/4"	NPT male	35,5	11	-	17	Fig 1
SLHF06NSS	3/8"	NPT male	40,65	13	-	19	Fig 1
SLHF08NSS	1/2"	NPT male	48,15	18,5	-	24	Fig 1
SLHF12NSS	3/4"	NPT male	69,5	20	58	36	Fig 2
SLHF16NSS	1"	NPT male	72.5	23	58	36	Fig 2

For version with BSPP thread, substitute the 'N' in the code with 'P'  
Per la versione con filetto BSPP, sostituire la 'N' nel codice con 'P'

### SLVP - bug-screen silencers

SLVP - silenziatori anti insetto

Fig.3



Models Modelli	Size-C Taglia	Thread Filetto	E (mm)	D (mm)	Wrench Chiave	Drawing Disegno
SLVP02NSS	1/8"	NPT male	17	9	13	Fig 3
SLVP04NSS	1/4"	NPT male	22	11	17	Fig 3
SLVP06NSS	3/8"	NPT male	20,5	13	19	Fig 3
SLVP08NSS	1/2"	NPT male	26,5	18,5	24	Fig 3
SLVP12NSS	3/4"	NPT male	30	20	30	Fig 3
SLVP 16NSS	1"	NPT male	37	24,5	36	Fig 3

For version with BSPP thread, substitute the 'N' in the code with 'P'  
Per la versione con filetto BSPP, sostituire la 'N' nel codice con 'P'

### SLSC- Flush silencers

SLSC - Silenziatori a scomparsa

Fig.4

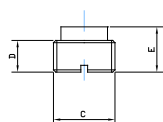
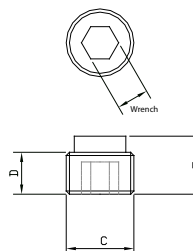


Fig.5









Models Modelli	Size-C Taglia	Thread Filetto	E (mm)	D (mm)	Wrench Chiave	Drawing Disegno
SLSC02NSS*	1/8"	NPT male	8	6.5	5	Fig 5
SLSC04NSS	1/4"	NPT male	9,5	7	-	Fig 4

\* Copper free aluminum alloy body / Esecuzione con corpo alluminio esente ramemod: SLSC02NAL

## Stainless steel 316L dust excluder - PV & PVSL series

Dust excluder in SS316L - Serie PV e PVSL

- Effective protection of exhaust ports against dirt, dust, moisture and insects
- Large flow capacity (no obstruction of the flow)
- Tightly closed exhaust port
- Low break away pressure
- Self-cleaning action
- Stainless steel 316 construction
- Suitability for corrosive environments
- ATEX 2014/34/UE  II 2G Ex h IIC T6/T5 Gb X  
II 2D Ex h IIIC T85°C/T100°C Db X
-  &  approved

- Protezione delle connessioni di scarico da sporco, polvere, umidità ed insetti.
- Grande capacità di flusso (nessuna ostruzione del passaggio)
- Porte di scarico a tenuta soffice
- Bassa caduta di pressione
- Azione auto-pulente
- Costruzione in acciaio inossidabile AISI316
- Idoneità agli ambienti corrosivi
- ATEX 2014/34/UE  II 2G Ex h IIC T6/T5 Gb X  
II 2D Ex h IIIC T85°C/T100°C Db X
- Approvato  ed 



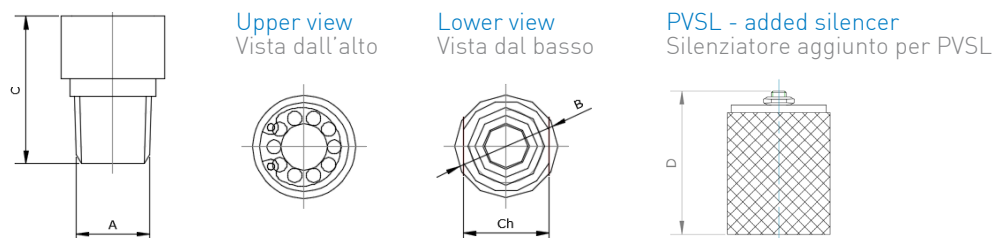
<b>Media / Fluido</b>	Compressed air, inert gases, sweet and sour gases
<b>Connection / Connessioni</b>	1/4", 1/2", 3/4", 1" NPT
<b>Operating Temperature</b> Temperatura di esercizio	-20°C up to 80°C
<b>Threads type / Tipi di filetto</b>	NPT male

Air supply must be dry enough to avoid ice formation at temperatures below +2°C (+35°F).

BUILDING MATERIALS	Materiali costruttivi
Body in 316/316L bar stock stainless steel	Corpo in acciaio inossidabile da barra AISI316/316L
Loking disk in 316/316L bar stock stainless steel	Disco bloccante in acciaio inossidabile AISI316/316L
Diaphragm in NBR, HNBR, LT, FKM, Special	Membrana in NBR, HNBR, LT, FKM, Speciali
Screws and washers in stainless steel	Viti e rondelle in acciaio inossidabile A4

## Overall dimension

Dimensioni di ingombro



Models Modelli	Size-A Taglia	Thread Filetto	B (mm)	C (mm)	Wrench Chiave	D (mm)
PV04NSS**0	1/4"	NPT male	18	30	15	20
PV08NSS**0	1/2"	NPT male	29	42	24	38
PV12NSS**0	3/4"	NPT male	50	55	46	40
PV16NSS**0	1"	NPT male	50	55	46	40

\*\* Refers to seals type: FK→FKM NB→NBR LT→EPDM FL→FVMQ HN→HNBR

To have the AISI316 wire silencer mounted, use code PVSL (and for dimensions, add height D to height C)/  
per aggiungere silenziatore in filo in 316, usare il codice PVSL (per le dimensioni, aggiungere quota D ad altezza C)

## SS 304 case, nickel plated connection Bourdon pressure gauges – MBSN series

Manometri Bourdon cassa inox, connessione nichelata – Serie MBSN

- Suitable to onshore, pharmaceutical, chemical, medical and industrial applications
- Stainless steel case construction
- Suitable for gas or liquids not corrosive to the copper alloy
- EN837-1
- ATEX 2014/34/UE II 2G Ex h IIC T6/T5 Gb X / II 2D Ex h IIC T85°C/T100°C Db X
- Adatto in applicazioni chimiche, farmaceutiche, medicali ed industriali
- Costruzione con cassa in acciaio inossidabile
- Idonei per gas o liquidi compatibili con le leghe di rame
- EN837-1

<b>Media / Fluido</b>	Compressed air, inert gases, liquids
<b>Gauge Connection / Connessione manometro</b>	1/8"-1/4"NPT backside
<b>Working range Range operativo</b>	75% of full scale value
<b>Overpressure Sovrappressione</b>	25%
<b>Accuracy / Precisione</b>	2,5%
<b>Operating Temperature Temperatura di esercizio</b>	-25°C up to 65°C
<b>Process Temperature Temperatura di processo</b>	0°C up to 65°C
<b>Weather protection Protezione ambientale</b>	IP54



Air supply must be dry enough to avoid ice formation at temperatures below +2°C (+35°F).


Models Modelli	Diameter Diametro	Scale Scala	Thread Filetto	Stocked Gestito a magazzino
MBSNP4S2PN3S	40mm	0/2BAR +psi+kpa	1/8"NPT backside	Yes
MBSNP4S2PN04	40mm	0/2,5BAR+psi+kpa	1/8"NPT backside	Yes
MBSNP4S2PN05	40mm	0/4BAR+psi+kpa	1/8"NPT backside	Yes
MBSNP4S2PN6S	40mm	0/7BAR+psi+kpa	1/8"NPT backside	Yes
MBSNP4S2PN07	40mm	0/10BAR+psi+kpa	1/8"NPT backside	Yes
MBSNP4S2PN92	40mm	0/10kg/cm2	1/8"NPT backside	Yes
MBSNP5S2PN07	50mm	0/10BAR+psi+kpa	1/8"NPT backside	Yes
MBSNP5S4PN05	50mm	0/4BAR+psi+kpa	1/4"NPT backside	Yes
MBSNP5S4PN6S	50mm	0/7BAR+psi	1/4"NPT backside	Yes
MBSNP5S4PN07	50mm	0/10BAR+psi	1/4"NPT backside	Yes

Other execution om request / oltre verisoni disponibili su richiesta


Building Materials	Materiali costruttivi
Threaded connection in nickel plated brass	Connessione filettata in ottone nichelato
Bourdon tube C type in copper alloy	Molla Bourdon di tipo c in lega di rame
Movement in copper alloy	Movimento in lega di rame
Case in AISI304 stainless steel	Cassa in acciaio inossidabile AISI304
Case ring in AISI304 stainless steel	Anello della cassa in acciaio inossidabile AISI304
Pointer in black aluminum	Lancetta in alluminio nero
Dial in painted aluminum	Quadrante in alluminio verniciato

## All stainless steel Bourdon type standard pressure gauges – MBS6 series

Manometri Bourdon standard tutto inox – Serie MBS6

- Suitable to offshore, onshore, pharmaceutical, chemical, medical and industrial applications
- Stainless steel case construction
- Suitable for gas or liquids
- Dry or liquid filled versions
- EN837-1
- ATEX 2014/34/UE  II 2G Ex h IIC T6/T5 Gb X  
II 2D Ex h IIIC T85°C/T100°C Db X



- Adatto ad offshore/onshore applicazioni chimiche, farmaceutiche, medicali ed industriali
- Costruzione con cassa in acciaio inossidabile
- Idonei per gas o liquidi
- Versioni a secco o con riempimento
- EN837-1
- ATEX 2014/34/UE  II 2G Ex h IIC T6/T5 Gb X  
II 2D Ex h IIIC T85°C/T100°C Db X

<b>Media / Fluido</b>	Compressed air, inert gases, sweet and sour gases , liquids
<b>Gauge Connection /</b> Connessione manometro	1/8", 1/4" NPT radial or backside
<b>Working range /</b> Range operativo	75% of full scale value
<b>Overpressure /</b> Sovrappressione	25%
<b>Accuracy /</b> Precisione	2.5%
<b>Operating Temperature /</b> Temperatura di esercizio	-55°C up to +90°C
<b>Process Temperature /</b> Temperatura di processo	100°C max

Air supply must be dry enough to avoid ice formation at temperatures below +2°C (+35°F).

<b>Building Materials</b>	<b>Materiali costruttivi</b>
Threaded connection in AISI316/316L stainless steel	Connessione filettata in acciaio inossidabile AISI316/316L
Movement in AISI316 stainless steel	Movimento acciaio inossidabile AISI316
Case in AISI316 stainless steel	Cassa in acciaio inossidabile AISI316
Pointer in black aluminum	Lancetta in alluminio nero
Dial in painted aluminum	Quadrante in alluminio verniciato

## Available models

Modelli disponibili

Models Modelli	Diameter Diametro	Window Trasparente	Scale Scala	Thread Filetto
MBS6P4S2PN04-ATEX	40mm	PC	0/2,5 bar+psi+kpa	1/8"NPT backside
MBS6V4S2PN04-ATEX	40mm	Safety Glass	0/2,5 bar+psi+kpa	1/8"NPT backside
MBS6P4S2PN05-ATEX	40mm	PC	0/4 bar+psi+kpa	1/8"NPT backside
MBS6V4S2PN05-ATEX	40mm	Safety Glass	0/4 bar+psi+kpa	1/8"NPT backside
MBS6P4S2PN06-ATEX	40mm	PC	0/6 bar+psi+kpa	1/8"NPT backside
MBS6P4S2PN6S-ATEX	40mm	PC	0/7 bar+psi+kpa	1/8"NPT backside
MBS6P4S2PN24	40mm	PC	0/8 bar+psi+kpa	1/8"NPT backside
MBS6P4S2PN07-ATEX	40mm	PC	0/10 bar+psi+kpa	1/8"NPT backside
MBS6P4S4PN07-ATEX	40mm	PC	0/10 bar+psi+kpa	1/4"NPT backside
MBS6P4S2PN7S-ATEX	40mm	PC	0/12 bar+psi+kpa	1/8"NPT backside
MBS6P4S2PN31	40mm	PC	0/1,4 mpa+bar+psi	1/8"NPT backside
MBS6P4S2PN102	40mm	PC	0/2,5 kg/cm2+psi	1/8"NPT backside
MBS6P4S2PN92-ATEX	40mm	PC	0/10 kg/cm2+psi	1/8"NPT backside
MBS6P5S2PN6S-ATEX	50mm	PC	0/7 bar+psi+kpa	1/8"NPT backside
MBS6P5S2PN07-ATEX	50mm	PC	0/10 bar+psi+kpa	1/8"NPT backside
MBS6P5S4PN07-ATEX	50mm	PC	0/10 bar+psi+kpa	1/4"NPT backside
MBS6P5S2RN07-ATEX	50mm	PC	0/10 bar+psi+kpa	1/8"NPT radial
MBS6P5S4PN7S-ATEX	50mm	PC	0/12 bar+psi+kpa	1/4"NPT backside
MBS6P5S2PN08-ATEX	50mm	PC	0/16 bar+psi+kpa	1/8"NPT backside
MBS6P5S2PN8S-ATEX	50mm	PC	0/20 bar+psi+kpa	1/8"NPT backside
MBS6P5S2PN92-ATEX	50mm	PC	0/10 kg/cm2+psi	1/8"NPT backside
MBS6V5S2PN92-ATEX	50mm	Safety Glass	0/10 kg/cm2+psi	1/8"NPT backside
MBS6V5S4PN103	50mm	Safety Glass	0/10 bar+kg/cm2+mpa	1/4"NPT backside
MBS6V6S4PN04	60mm	Safety Glass	0/2,5 bar+psi+kpa	1/4"NPT backside
MBS6V6S4PN07-ATEX	60mm	Safety Glass	0/10 bar+psi+kg/cm2	1/4"NPT backside
MBS6V6S4RN07-ATEX	60mm	Safety Glass	0/10 bar+psi+kg/cm2	1/4"NPT radial
MBS6V6S4PN08-ATEX	60mm	Safety Glass	0/16 bar+psi+kg/cm2	1/4"NPT backside
MBS6V6S4RN08-ATEX	60mm	Safety Glass	0/16 bar+psi+kg/cm2	1/4"NPT radial
MBS6P6S4PN21	60mm	PC	0/16 bar+psi+kpa	1/4"NPT backside
MBS6V6S4PN31-ATEX	60mm	Safety Glass	0/14 bar+psi+mpa	1/4"NPT backside
MBS6V6S4PN38	60mm	Safety Glass	0/10 bar+psi+kpa	1/4"NPT backside
MBS6V6S4RN38-ATEX	60mm	Safety Glass	0/10 bar+psi+kpa	1/4"NPT radial

\* All the MBS6 can be supplied with glycerine filling or silicon oil filling: substitute the S at the 7th digit of the code with G (for glycerine) or with SI (for silicon oil)

**Other execution on request / altre versioni disponibili su richiesta**

www.sitecna.eu

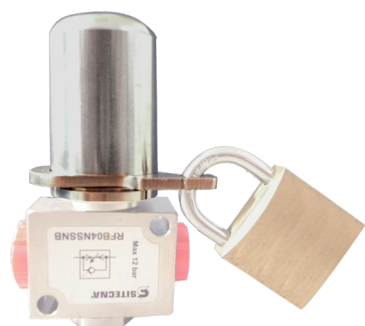
## Stainless steel tamperproof kit - KTAM series

Kit anti-manomissione in acciaio inossidabile - serie KTAM

The anti-tamper kit is an all stainless steel locking cap that prevents unintended or malicious pressure adjustment and accidental damage to the adjusting screw.

The cap is lockable by means of a padlock, an hasp or lock and so it provides rugged security and ease of use for all applications.

- Suitable to onshore, offshore, pharmaceutical, medical and food applications
- Full stainless steel construction
- Suitable for corrosive environments



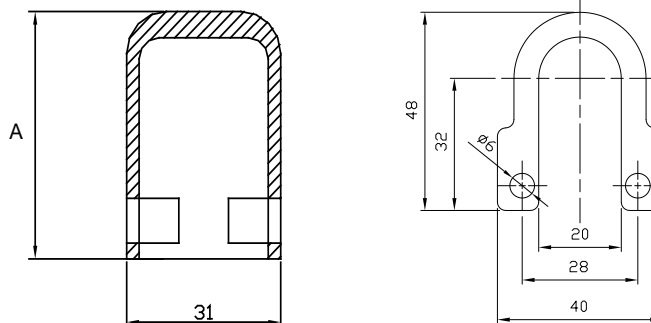
Il kit anti-manomissione è un sistema di bloccaggio interamente in acciaio inossidabile che previene modifiche di pressione - involontarie o dolose - e danni accidentali alla vite di regolazione. Il sistema può essere chiuso tramite un lucchetto, un fermaglio o un cavo in acciaio e fornisce così sicurezza e facilità d'uso in tutte le applicazioni.

- Adatto in applicazioni marine, petrolchimiche, farmaceutiche, medicali e alimentari
- Costruzione completamente in acciaio inossidabile
- Idonei per ambienti corrosivi

### Overall dimension

Dimensioni

- KTAM 1/4", 3/8", 1/2": A = 47mm
- KTAM 3/4", 1": A = 55mm



### Sitecna's products that can use KTAM

Prodotti Sitecna che possono montare il KTAM

Product Prodotto	Size Dimensioni	Models Modello
Filter Regulators	1/4", 3/8", 1/2", 3/4", 1" NPT	FR04, FR06, FR08, FR12, FR16
Regulators	1/4", 3/8", 1/2", 3/4", 1" NPT	R04, R06, R08, R12, R16
Back Pressure Regulators	1/4" NPT	BP04
Pneumatic 2&3 Ways Switching Valves	1/4" NPT	SV04, S304
Uni & Bi-Directional Flow Regulators	1/4" NPT	RFU04, RFB04
Uni & Bi-Directional Flow Regulators*	3/8", 1/2", 3/4", 1" NPT	RFU06, RFU08, RFU12, RFU16 RFB06, RFB06, RFB12, RFB16

\*Available only as option on new products and not as retro-fit item

Disponibile solo come opzione su nuovi prodotti e non come accessorio a parte

BT-KTAM/C21A

www.sitecna.eu

## AISI316L Hexagonal ball valves - VS serie

Valvole a sfera esagonali in AISI316L - serie VS

- AISI 316L construction
- 2/2 ON/OFF function
- 1/4" (Dn 5mm) - 1/2" (Dn 9mm) sizes - 3/4" (DN 12,5mm)
- Compact size
- Low torque quarter turn actuation
- Bi-directional flow
- Anti blow-out spindle
- Standard NPT female threads
- Full material traceability
- ATEX 2014/34/UE
- & approved



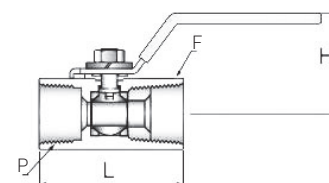
- Materiale di costruzione AISI 316L
- Funzione 2/2 ON/OFF
- Taglie da 1/4" (Dn 5 mm), 1/2" (Dn 9mm) e 3/4" (Dn 12,5mm)
- Dimensioni contenute
- Attuazione a un quarto di giro a bassa coppia
- Flusso bi-direzionale
- Stelo anti-espulsione
- Filetti femmina NPT standard
- Completa rintracciabilità dei materiali
- ATEX 2014/34/UE
- Approvato ed

<b>Media / Fluido</b>	<b>steam, water, air, compatible gases</b>
<b>Port thread / Connessioni</b>	<b>1/4", 1/2", 3/4" NPT F</b>
<b>Working pressure</b> Pressione di lavoro	<b>up to 1000 psi (70bar at 38°C)</b>
<b>Working Temperature</b> Temperatura di esercizio	<b>-50° up to 230°C</b>
<b>Stocking Temperature</b> Temperatura di stoccaggio	<b>-65 up to 230°C</b>

### Overall dimension

Dimensioni

CODE Codici	DIMENSIONS mm - Dimensioni mm				
	P	Dn	L	H	Wrench F
VS041K0000SSPT0	1/4"NPT	5	40	33	17
VS081K0000SSPT0	1/2"NPT	9	55	49	27
VS121K0000SSPT0	3/4"NPT	12.5	61	54	32



<b>BUILDING MATERIALS</b>	Materiali costruttivi
<b>Body &amp; nuts in AISI316 stainless steel</b>	Corpo e dadi in acciaio inossidabile AISI316
<b>Internal parts in AISI316</b>	Parti interne in AISI316
<b>Handle in AISI304 + PVC</b>	Leva in AISI304 + PVC
<b>Ball seat in PTFE</b>	Sede valvola in PTFE

BT-VSSS/C23A



## AISI316 Auxiliary assembly Fittings - 30bar / 450PSI max operationg pressure

Raccordi ausiliari per montaggio in AISI316 - pressione massima di utilizzo 30bar / 45PSI

- Suitable to onshore, offshore, pharmaceutical, medical and food applications
- Full stainless steel construction
- Suitable for corrosive environments
- NPT standard threads
- Quick delivery

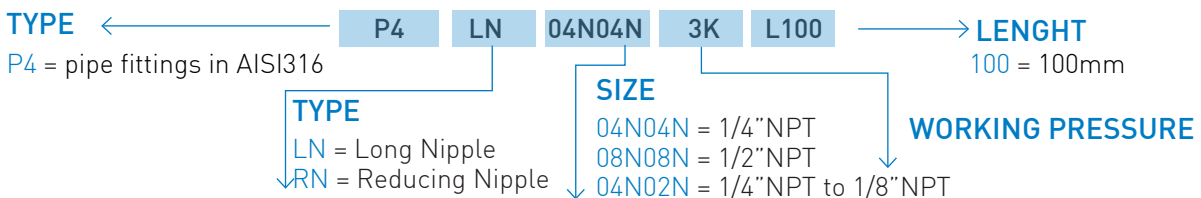
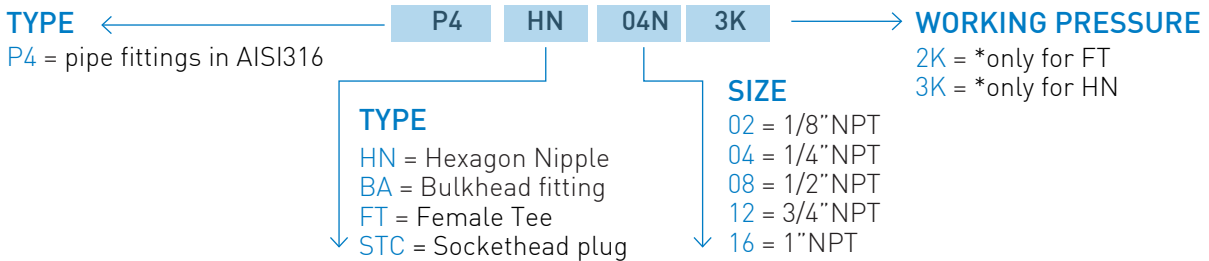
- Adatto in applicazioni marine, petrolchimiche, farmaceutiche, medicali e alimentari
- Costruzione completamente in acciaio inossidabile
- Idonei per ambienti corrosivi
- Filetti NPT standard
- Rapida consegna



Media / Fluido	steam, water, air, compatible gases
Port thread / Conessioni	1/8", 1/4", 1/2", 3/4", 1"NPT
Max operating pressure Pressione di lavoro massima	30bar (450PSI)

### Ordering information

Come ordinare



<b>BUILDING MATERIALS</b>	Materiali costruttivi
<b>machined from bar stock in AISI316/316L stainless steel (ASTM A479, ASME SA479)</b>	lavorati da barra in acciaio inossidabile AISI316/316L (ASTM A479, ASME SA479)
<b>shaped from castings in CF3M/316L stainless steel</b>	In acciaio inossidabile microfuso CF3M/316L

www.sitecna.eu

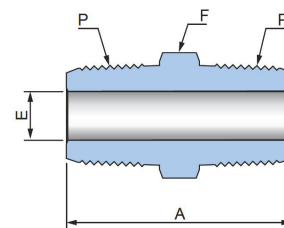
## Overall dimension

Dimensioni

### P4HN - Hexagon Nipple

P4HN - Niplo esagonale

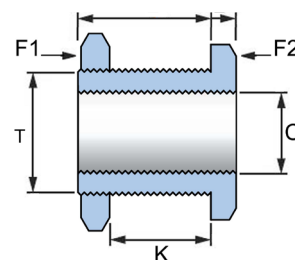
CODE Codici	DIMENSIONS mm - Dimensioni mm			
	P	E	Wrench F	A
P4HN04N3K	1/4" NPT	6,8	14	35
P4HN08N3K	1/2" NPT	9,7	22	46,7
P4HN12N3K	3/4" NPT	15,3	27	46,7
P4HN16N3K	1" NPT	21,8	35	60



### P4BA - Bulkhead fitting

P4BA - Passaparete

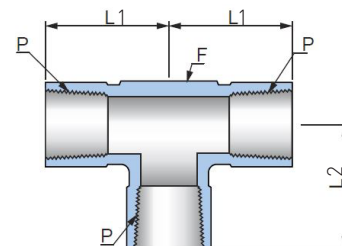
CODE Codici	DIMENSIONS mm - Dimensioni mm						
	C	Wrench		Kmax	L1	L2	T
		F1	F2				
P4BA04N	1/4" NPT	27	24	17	23	5	20,5
P4BA08N	1/2" NPT	36	32	22	29	6	28,5
P4BA12N	3/4" NPT	41	41	22	30	6	34,5



### P4FT - Female Tee

P4FT - Raccordo a T femmina

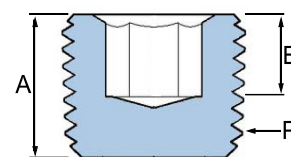
CODE Codici	DIMENSIONS mm - Dimensioni mm			
	P	L1	L2	Wrench F
P4FT04N2K	1/4" NPT	19	18,5	14
P4FT08N2K	1/2" NPT	30	30	20



### P4STC - Sockethead plug

P4STC - Tappo ad esagono incassato

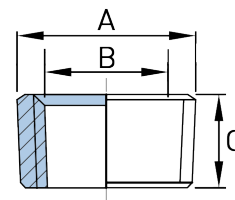
CODE Codici	DIMENSIONS mm - Dimensioni mm			
	P	A	B	Wrench
P4STC02N	1/8" NPT	7	4	4
P4STC04N	1/4" NPT	10	4	6



### P4RB - Reducing Nipple

P4RB - Riduzione

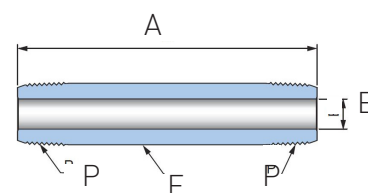
CODE Codici	DIMENSIONS mm - Dimensioni mm		
	A	B	C
P4RB04N02N-316L	1/4" NPT	1/8" NPT	7



### P4LN - Long Nipple

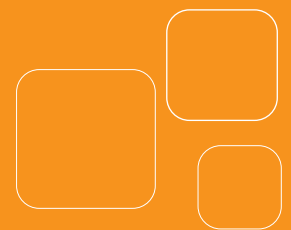
P4LN - Niplo lungo

CODE Codici	DIMENSIONS mm - Dimensioni mm			
	P	E	Wrench F	A
P4LN04N04N3KL100	1/4" NPT	6,8	14	100
P4LN08N08N3KL100	1/2" NPT	12	22	100





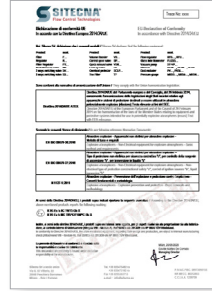
# TECHNICAL INFORMATION



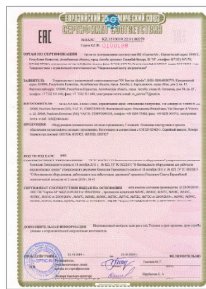
# Technical information Informazioni tecniche



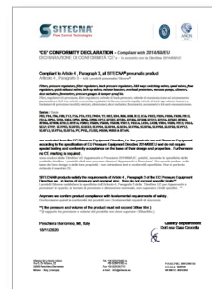
**ISO 9001 certificate**  
Certificato ISO 9001



**2014/34/EU air equipments declaration**  
Dichiarazione 2014/34/UE trattamento aria



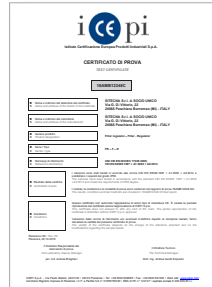
**EAC certification**  
Certificazione EAC



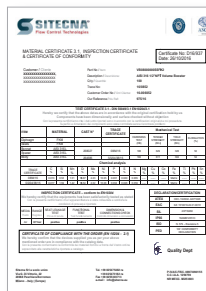
**PED declaration**  
Dichiarazione PED



**SIL certificate**  
Certificato SIL



**IP66 test certificate**  
Certificato di prova IP66



**EN10204/3.1 & Test certificate prototype**  
Prototipo certificato EN10204/3.1 e test di collaudo

**Materials compatibility & temperature chart**  
Tabella compatibilità e temperature dei materiali



## CERTIFICATO n. 579 - rev. 8

Il sistema di gestione per la qualità di	SITECNA Srl Via G. Di Vittorio 22 - 20068 Peschiera Borromeo MI
È conforme alla norma	UNI EN ISO 9001:2015
Per il seguente campo di applicazione	Commercializzazione, sviluppo, progettazione e assemblaggio di apparecchiature e sistemi pneumatici, idraulici, elettromeccanici, elettrici ed elettronici (IAF 29/18)
Siti	Peschiera Borromeo MI

La validità del Certificato è soggetta al rispetto delle condizioni stabilite nel Regolamento per la certificazione di ANCIS Srl

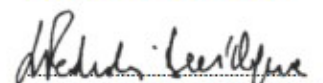
La validità del Certificato è subordinata a sorveglianza periodica ed al riesame completo con periodicità triennale

Riferirsi alla documentazione aziendale per i dettagli delle esclusioni ai requisiti della norma ISO 9001:2015

**16 gennaio 2012**  
*Prima emissione*

**12 gennaio 2024**  
*Emissione corrente*

**15 gennaio 2027**  
*Scadenza*

  
Amministratore delegato

### ANCIS Srl

segreteria@ancis.it • www.ancis.it  
I • 20122 Milano • Viale Bianca Maria 55  
Telefono +39 020062051 • Telefax +39 0276005647



MS N°0028  
Membro degli Accordi  
di Mutuo Riconoscimento EA, IAF e ILAC  
Signatory of EA, IAF and ILAC  
Mutual Recognition Agreement



Trace No: xxxxx

**Dichiarazione di conformità UE**  
In accordo con la Direttiva Europea 2014/34/EU

**EU-Declaration of Conformity**  
In accordance with Directive 2014/34/EU

Noi, Sitecna Srl, dichiariamo che i seguenti prodotti / Sitecna Srl declares that the following equipment:

Product	model	Product	model	Product	model
Filter	F...	Volume Booster	VB...	Flow regulator	RFB..., RIFU...
Regulator	R...	Control spool valve	DP...	Glass tube flowmeter	FLGSS..., FLGSM
Filter Regulator	FR...	Quick exhaust valve	VSR...	Vacuum pump	ST-VP...
Back Pressure valve	BP...	Lock-up valve	LK...	Silencer	SLHF..., SLMP..., SLSC...
2 ways switching valve	SV...	Overload protector	SCLP...	Dust excluder	PV..., PVS...
3 ways switching valve	SL...	Tea Filter	TF	Pressure gauge	MBS5..., MBS6..., MBSM...

Sono conformi alla normativa di armonizzazione dell'Unione / They comply with the Union harmonization legislation:

Direttiva 2014/34/EU ATEX	Direttiva 2014/34/EU del Parlamento europeo e del Consiglio, del 26 febbraio 2014, concernente l'armonizzazione delle legislazioni degli Stati membri relative agli apparecchi e sistemi di protezione destinati a essere utilizzati in atmosfera potenzialmente esplosiva (pressione) Testo rilevante ai fini del SEE.
	Directive 2014/34/EU of the European Parliament and of the Council of 26 February 2014 on the harmonisation of the laws of the Member States relating to equipment and protective systems intended for use in potentially explosive atmospheres (pressure) Text with EEA relevance.

Secondo le seguenti Norme di riferimento / As per following reference Normative Documents:

EN ISO 9079-30:2010	Atmosfera esplosiva - Apparecchi non elettrici per atmosfera esplosiva - Metodo di base e requisiti Explosive atmospheres - Non-Electrical equipment for explosive atmospheres - Basic method and requirements
EN ISO 9079-37:2010	Atmosfera esplosiva - Apparecchi non elettrici per atmosfera esplosiva - Tipo di protezione non elettrica per sicurezza costruttiva "c", per controllo della sorgente di accensione "i", per immersione in liquido "l" Explosive atmospheres - Non-Electrical equipment for explosive atmospheres - Non-electrical type of protection constructional safety "c", control of ignition sources "i", liquid immersion "l"
EN 1127-1:2011	Atmosfera esplosiva - Prevenzione dell'esplosione e protezione contro l'esplosione - Concetti fondamentali e metodologia Explosive atmospheres - Explosion prevention and protection - Basic concepts and methodology

Ai sensi della Direttiva 2014/34/EU, i prodotti sopra indicati riportano la seguente marcatura / According to the Directive 2014/34/EU, above mentioned products reports the following marking:

II 2G Ex h IIC T105°C Db X  
II 2D Ex h IIC T85°C/T100°C Db X

Inoltre, ai sensi della direttiva 2014/34/EU, i prodotti sopra menzionati sono oggetto, per gli aspetti relativi sia alla progettazione sia alla fabbricazione, al controllo interno di fabbricazione (Megato VIII - Modulo A). Ref 557EX-Ab 321329 o/o N° 0035 TÜV Rheinland.  
In conformity to Directive 2014/34/EU, the above mentioned equipment, regarding their design and production, are object to internal manufacturing check (Attachment VIII - Module A). Ref 557EX-Ab 321329 o/o N° 0035 TÜV Rheinland.

La presente dichiarazione di conformità è rilasciata sotto la responsabilità esclusiva del fabbricante.  
This declaration of conformity is issued under exclusive responsibility of the manufacturer.

Milan, 20/05/2020  
Davide Matteo De Corrado  
Managing Director

Sitecna Srl a socio unico  
Via G. Di Vittorio, 22  
20068 Peschiera Borromeo  
Milano - Italy ( Europe)

Tel. +39 025475482 ra  
+39 025473182 ra  
Fax +39 0255303713  
e-mail : info@sitecna.eu

P.IVA/C.FISC. 08973090155  
NR MECC. MI253803  
C.C.I.A.A. 1259759

ЕВРАЗИЙСКИЙ ЭКОНОМИЧЕСКИЙ СОЮЗ  
СЕРТИФИКАТ СООТВЕТСТВИЯ



№ ЕАЭС KZ.1510019.22.01.00279

Серия КЗ № 0100198

**ОРГАН ПО СЕРТИФИКАЦИИ** Орган по подтверждению соответствия ПК «Сертикс-М», Юридический адрес: 030012, Республика Казахстан, Актобинская область, город Актобе, проспект Санкибай батыра, 26 "Н", телефон: 8(7132) 567170, 8(7132) 957524, электронная почта: info@sertis-m.com, факс: 8(7132) 567170, № аттестата КЗ.О.050019 выдан 05/04/2016 года Товариществом с ограниченной ответственностью "Национальный центр аккредитации"

**ЗАЯВИТЕЛЬ** Товарищество с ограниченной ответственностью "SV Service Aktobe", БИН: 080640000779, Юридический адрес: 030004, Республика Казахстан, Актобинская область, город Актобе, с. Каргалинское, улица Абая, дом 3, кв. 17, Фактический адрес: 030000, Республика Казахстан, Актобинская область, город Актобе, улица М. Оспанова, дом 54, кв. 23, телефон: +7 7132 511 640, факс: +7 7132 511 640, электронная почта: e-mail: sv\_service77@mail.ru

**ИЗГОТОВИТЕЛЬ** SITECNA SRL в Socio Unico, Юридический адрес: Итальянская Республика, Via Giuseppe di Vittorio n. 22, 20068, Peschiera Borromeo (MI), VAT N.: IT08973090155; Фактический адрес: Итальянская Республика, Via Giuseppe di Vittorio n. 22, 20068, Peschiera Borromeo (MI), VAT N.: IT08973090155, телефон: +39 0254 75482, факс: +39 0255 303713, электронная почта: e-mail: info@sitecna.eu

**ПРОДУКЦИЯ** Оборудование пневматическое согласно приложению, 7 позиций. Описание конструкции и средств обеспечения взрывозащиты согласно приложению. Изготовлено в соответствии с UNI EN 13463-1. Серийный выпуск. Номера бланков приложений: 0053924, 0053925, 0053926, 0053927

**КОД ТН ВЭД ЕАЭС** 8481

**СООТВЕТСТВУЕТ ТРЕБОВАНИЯМ** ТР ТС 010/2011 "О безопасности машин и оборудования" утвержденного решением Комиссии Таможенного союза от 18 октября 2011 г. № 823, ТР ТС 012/2011 "О безопасности оборудования для работы во взрывоопасных средах" утвержденного решением Комиссии Таможенного союза от 18 октября 2011 г. № 825, ТР ТС 032/2013 "О безопасности оборудования, работающего под избыточным давлением" принятого Решением Совета Евразийской экономической комиссии от 2 июня 2013 г. № 41

**СЕРТИФИКАТ СООТВЕТСТВИЯ ВЫДАН НА ОСНОВАНИИ** акта анализа состояния производства от 20/09/2019г. ОПС ПК "Сертикс-М" №КЗ.О.05.0019 от 05/04/2016г., протоколов испытаний №545С, №546С, №547С, №548С, №549С, №550С, №551С от 25/09/2019г., №567С, №568С, №569С, №570С, №571С, №572С, №573С от 26/09/2019г., №598С, №599С, №600С, №601С, №602С, №603С, №604С от 01/10/2019г. ИЦ ПК "Сертикс-М" №КЗ.И.05.0172 от 25/04/2016г. Схема: IC

**ДОПОЛНИТЕЛЬНАЯ ИНФОРМАЦИЯ** Инспекционный контроль один раз в год. Условия и срок хранения, срок службы указаны в сопроводительной документации изготовителя.

**СРОК ДЕЙСТВИЯ** с 24.10.2019 г. по 23.10.2024 г. **ВКЛЮЧИТЕЛЬНО**

	Руководитель (уполномоченное лицо) органа по сертификации		Темкина М. Г. (Ф.И.О.)
	Эксперт (эксперт-аудитор) (эксперты(эксперты-аудиторы))		Шербакова Е. А. (Ф.И.О.)

**'CE' CONFORMITY DECLARATION - Compliant with 2014/68/EU**

**DICHIARAZIONE DI CONFORMITÀ 'CE'» - In accordo con la Direttiva 2014/68/EU**

**Compliant to Article 4 , Paragraph 3, all SITECNA® pneumatic product**

**Articolo 4 , Paragrafo 3 – tutti i prodotti pneumatici Sitecna®**

*Filters, pressure regulators, filter regulators, back pressure regulators, 2&3 ways switching valves, spool valves, poppet valves, flow regulators, quick exhaust valves, lock-up valves, volume boosters, overload protectors, vacuum pumps, silencers, dust excluders, flowmeters, pressure gauges & tamper-proof kit, fittings.*

*Filtri, regolatori di pressione, filtri regolatori, valvole di back pressure, valvole di commutazione ad azionamento pneumatico a 2/3 vie, valvole a cassetta, valvole ad otturare, regolatori di flusso, scarichi rapidi, valvole di lock-up, volume boosters, limitatori di pressione tarabili, eiettori, silenziatori, dust excluder, flussimetri, manometri e kit anti-manomissione, raccordi.*

**Series / Serie**

**F02, F04, FD6, F08, F12, F16, F24, F32, FMD4, FP, TF, R02, R04, RD6, R08, R12, R16, FR02, FR04, FRH4, FR06, FRD8, FR12, FK16, BP04, SV04, S304, DP04, DP06, DP08, DP12, EP, KFUD2, KFUD4, KFUD6, KFUD8, KFUI2, KFUI6, KFB02, KFB04, KFB06, KFB08, KFB12, KFB16, VSB02, VSB04, VSB06, VSB08, VSR12, VRS16, LK04, LK08, V804, V808, VB12, VB16, SCLP, STVP, SLVP02, SLHF02, SLSC02, SLVFP04, SLHFD4, SLSC04, SLVFP06, SLHF06, SLVFP08, SLHFD8, SLVFP12, SLHF12, SLVP16, SLHF16, PV, PVS, FL655, MBSN, MRS & KTAM, P4**

**are excluded from the EC Pressure Equipment Directive, i.e. the products are not Pressure Equipment according to the specification of EU Pressure Equipment Directive 2014/68/EU and do not require special testing and conformity acceptance on the base of their design and properties . Furthermore no CE marking is required .**

*sono esclusi dalla 'Direttiva UE Apparecchi a Pressione 2014/68/EU', poiché, secondo le specifiche della suddetta direttiva, i prodotti citati non possono ritenersi 'Apparecchi a Pressione'. Per questo motivo - sulla base del loro design e delle loro proprietà - non richiedono test e conformità specifiche. Non è pertanto richiesto il marchio CE.*

**SITECNA® products satisfy the requirements of Article 4 , Paragraph 3 of the EC Pressure Equipment Directive as , in terms of pressure and nominal size , they do not exceed specific limits\*\***

*I prodotti Sitecna soddisfano le specifiche dell'Articolo 4, Paragrafo 3 della 'Direttiva EC per Apparecchi a pressione' in quanto, in termini di pressione e dimensione nominale, non superano i limiti specifici. \*\* .*

**Any more we confirm product compliance with fundamental requirements of safety .**

*Confermiamo quindi la conformità dei prodotti con i fondamentali requisiti di sicurezza*

**\*\* ( the pressure and volume of the product must not exceed 50bar litre )**

**\*\* ( il rapporto tra pressione e volume del prodotto non deve superare i 50barlitro )**

**Peschiera Borromeo, MI, Italy**

**14/12/2021**

**Quality department**

**Dott.ssa Gaia Crocella**







**MATERIAL CERTIFICATE 3.1, INSPECTION CERTIFICATE & CERTIFICATE OF CONFORMITY**

Certificate No: D21/027  
Date: 17/02/2021

Customer / Cliente XXXXXXX, XXXXXXXXXXXXX XXXXXXXXXXXXX XXXXXX	Part No / Item: Description / Descrizione: Q.ty / Quantità: Trace No: Customer Order No / Ord Cliente: Our Reference / Ns Ref: DDT	FR04411B00ALNB2 Aluminum alloy 1/2"NPT Filter regulator 10 21/0253 160134 147/21 185 – 11/02/2021
--	--	---

**TEST CERTIFICATE 3.1 - DIN 50049/3.1 EN10204/3.1**  
 Hereby we certify that the above datas are in accordance with the original certification hold by us  
 Components have been dimensionally and surface checked without objection  
 Con la presente certifichiamo che i dati sotto riportati sono in accordo con le certificazioni originali da noi possedute.  
 Superfici e dimensioni dei componenti sono state controllate senza riscontrare problemi

ITEM	MATERIAL	CAST N°	TRACE CERTIFICATE	Mechanical Test			
				HARDNESS TEST (HRB) Min - max	TENSILE STRENGHT (MPa) Min - max	YIELD STRENGHT (MPa) Min - max	ELONGATION (%) Min - max
Diphragm	NBR						
Seals	NBR						
Bonnet	Aluminum Alloy YL104	11-19	135/M/20	NR	NR	NR	NR
Body	EN AW 6082 T6	5399/Z/6041	08/M/21	95	310-NR	260-NR	8-NR
Bowl	UNI 3051 GALSI 9 Mn Mg	Y4DA4xcd	174/M/20	NR	NR	NR	NR

Chemical analysis														
TRACE CERTIFICATE / CAST N°	Al %	Mn %	Si %	Cr %	Ni %	Ca %	Zn %	Sb %	Sn %	Mg %	Cu %	Fe %	Ti %	Pb %
135/M/20	Min	—	0.20	8.00	—	—	—	—	—	0.30	—	0.50	—	—
	Rilevata	resto	0.31	8.95	0.0435	<0.001	0.0038	0.161	<0.001	0.49	0.147	0.606	0.0196	0.0119
	Max	—	0.50	10.50	—	—	—	≤ 0.30	≤ 0.01	0.50	≤ 0.30	0.80	—	≤ 0.05
08/M/21	Min	—	0.4	0.70	—	—	—	—	—	0.6	—	—	—	—
	Rilevata	resto	—	—	—	—	—	—	—	—	—	—	—	—
	Max	—	1.0	1.30	0.25	—	—	0.20	—	1.2	—	0.5	0.1	—
174/M/20	Min	—	0.4000	8.5000	—	—	—	—	—	0.3000	—	—	—	—
	Rilevata	resto	0.4745	8.8282	0.0077	0.0059	0.0009	0.0237	<0.0001	0.4101	0.0394	0.3278	0.1145	0.00210
	Max	—	0.6000	9.5000	0.0500	0.1000	—	0.0500	—	0.4500	0.0500	0.5000	0.1500	0.0500

**INSPECTION CERTIFICATE – conform to EN10204**  
 We hereby certify that the equipments has been satisfactorily tested as stated  
 Con la presente certifichiamo che l'apparecchiatura è stata collaudata e soddisfa le condizioni di prova qui riportate

MEDIA	RANGE	SEAT LEAKAGE TEST	FUNCTIONAL TEST	DIMENSION & CONNECTIONS CHECK
Fluido	Regolaz.	Prova di tenuta	Test funzionamento	Controllo dimensioni e connessioni
Air	0.4/10 bar	positive	positive	positive

DECLARATION/CERTIFICATION	
ATEX	TÜV 557/Ex-Ab 3213/20
EAC	KZ. 1510019.22.01.00279
SIL3	TÜV 19-SIL-0010513-05-TIC
IP66	ICEPI 6AMB12348C
ISO	N. 579 – Revisione 7
PED	'CE' CONFORMITY DECLARATION

**CERTIFICATE OF COMPLIANCE WITH THE ORDER (EN 10204 - 2.1)**  
 We hereby confirm that the devices supplied you as per your above mentioned order are in compliance with the catalog data.  
 Con la presente confermiamo la conformità dei materiali forniti a fronte del Vostro ordine sopraccitato alle caratteristiche riportate a catalogo.



Sitecna Srl a socio unico  
Via G. Di Vittorio, 22  
20068 Peschiera Borromeo  
Milano - Italy ( Europe)

Tel. +39 025475482 ra  
+39 025473182 ra  
Fax +39 0255303713  
e-mail : info@sitecna.eu

P.IVA/C.FISC. 08973090155  
C.C.I.A.A. 1259759  
NR MECC. MI253803



**C E R T I F I C A T E**

**Certificate no. 19-SIL-0010513-05-TIC**

WE HEREDY CERTIFY THAT

**Product description** FILTER REGULATORS / REGULATORS  
**Models** SERIES FR / R  
**Manufacturer** **SITECNA S.r.l. a socio unico**  
**Via Giuseppe Di Vittorio 22 – 20068 Peschiera Borromeo MI**

IS IN COMPLIANCE WITH THE REQUIREMENTS OF THE STANDARDS

**IEC 61508 Parts 1–7:2010**

AS RESULT OF THE ASSESSMENT ACCORDING TO THE PROVISION SET OUT IN THE ABOVE-MENTIONED STANDARDS

**Summary Report no. RC-1119-SIL-TIC-PC-0010513-19-10**

**Expiry date 26.11.2022**

**Note** This certificate is issued upon the request of the manufacturer as voluntary certification; it does not include the production surveillance.  
 This certificate does not allow the manufacturer to use the safety mark of TÜV INTERCERT.



Reggio Emilia, 27.11.2019

*Ferdoon Sergizzarea*  
 Dipl. Ing. Ferdoon Sergizzarea

TÜV INTERCERT Certification Body

Page 1 of 2



Istituto Certificazione Europea Prodotti Industriali S.p.A.

## CERTIFICATO DI PROVA

TEST CERTIFICATE

16AMB12348C

■ Nome e indirizzo del detentore del certificato  
■ Name and address of the holder of the certificate

**SITECNA S.r.l. A SOCIO UNICO**  
**Via G. Di Vittorio, 22**  
**20068 Peschiera Borromeo (MI) - ITALY**

■ Nome e indirizzo del costruttore  
■ Name and address of the manufacturer

**SITECNA S.r.l. A SOCIO UNICO**  
**Via G. Di Vittorio, 22**  
**20068 Peschiera Borromeo (MI) - ITALY**

■ Genere prodotto  
■ Product designation

**Filter regulator – Filter - Regulator**

■ Serie / Tipo  
■ Series / type

**FR – F – R**

■ Norma(e) di riferimento  
■ Reference standard(s)

**UNI CEI EN ISO/IEC 17025:2005;**  
**CEI EN 60529:1997 + A1:2000 + A2:2014**

■ Risultato delle verifiche  
■ Verification results

I campioni sono stati testati in accordo alla norma CEI EN 60529:1997 + A1:2000 + A2:2014 e soddisfano i requisiti del grado IP66.  
*The samples have been tested in accordance with the standard CEI EN 60529: 1997 + A1:2000 + A2:2014 and meets the requirements of IP66 degree.*

I risultati, le condizioni e le modalità di prova sono contenuti nel rapporto di prova 16AMB12348 r00.  
*The results, conditions and test methods are included in 16AMB12348 r00 test report.*

■ Condizioni  
■ Conditions

Questo certificato non autorizza l'apposizione di alcun tipo di marcatura CE. È vietata la parziale riproduzione del certificato senza l'approvazione di ICEPI S.p.A.  
*This certificate does not allowed to affix any kind of EC mark. The partial reproduction of the certificate is forbidden without ICEPI S.p.A. approval.*

Variazioni delle norme di riferimento e/o eventuali modifiche rispetto al campione testato, fanno decadere la validità del presente certificato di prova.  
*The validity of the certificate depends on the change of the reference standard and on the modifications regarding the sample tested.*

Revisione r00 / Rev r00  
Piacenza, 04.10.2016

Il Sostituto Responsabile del  
laboratorio di prova  
*Test Laboratory Deputy Manager*

per. ind. Andrea Braghieri

Il Direttore Tecnico  
*The Technical Manager*

Dott. Ing. Andrea Guido Esposito

ICEPI S.p.A. - Via Paolo Belizzi, 29/31/33 • 29122 Piacenza • Tel. +39.0523.609585 • Fax: +39.0523.591300 • Web site: [www.icepi.com](http://www.icepi.com)  
Iscrizione Registro Imprese di Piacenza • C.F. e Partita IVA n° 01055750333 • REA di PC n° 124137 • capitale sociale € 400.000,00 i.v.

## Corrosion resistance chart & temperature informations

Tabelle di compatibilità materiali e dati sulle temperature

**The information given in the following tables , is a general guide to the chemical resistance of the materials used by Sitecna® .**

Le seguenti tabelle danno delle informazioni generali relative alla resistenza chimica dei materiali utilizzati da Sitecna® .

**It is worth mentioning that many factors ie temperature, concentration, pressure and degree of contamination etc. may vary and so effect certain ratings in the table.**

and degree of contamination etc. may vary and so effect certain ratings in the table.

E' corretto precisare che le informazioni possono variare in funzione di molti fattori come la temperatura, la concentrazione, ed il grado di contaminazione.

**We therefore advise that the ratings given be used as a guide only for your choice of materials and not as the absolute answer .**

Raccomandiamo pertanto di utilizzare le seguenti tabelle come una guida per la selezione di materiali idonei alla propria applicazione, senza valutare i dati forniti come valori assoluti .

### Approximate service temperature range for used basic polymer types :

Temperature indicative di lavoro per i polimeri base utilizzati :

**Nitrile (General Service) -34°C to 121°C (-30°F to 250°F)\***

**Ethylene Propylene (EPDM) -57°C to 121°C (-70°F to 250°F)\***

**Fluorocarbon -26°C to 205°C (-15°F to 400°F)\***

**Hifluor (FKM) -26°C to 205°C (-15°F to 400°F)\***

**Polyurethane -40°C to 82°C (-40°F to 180°F)\***

**Fluorosilicone -73°C to 177°C (-100°F to 350°F)\***

**Silicone -54°C to 232°C (-65°F to 450°F)\***

**A = Excellent / Eccellente**

**B =Good/Buona**

**C=Fair,probably unsuitable /Scarsa,probabilmente non idoneo**

**D= Not recommended /Non raccomandato**

**- = No informations / Nessuna informazione**

<i>Media</i>	<i>316 SS</i>	<i>Aluminium</i>	<i>FKM</i>	<i>EPDM</i>	<i>Media</i>	<i>316 SS</i>	<i>Aluminium</i>	<i>FKM</i>	<i>EPDM</i>
Acetaldehyde	A	A	A	A	Copper chloride	D	D	A	A
Acetate solvents	A	A			Copper nitrate	D	A	A	C
Acetic acid 10%	A	A	A	A	Copper sulphate	D	A	A	A
Acetic acid 60%	A	A			Creosote hot	B	-	A	C
Acetic acid glacial	A	A	A	A	Cresylic acid	D	A	A	C
Acetic acid vapours	A	C			Cyanide solutions	-	A	A	-
Acetic anhydride	A	A	A	C/B	Cyclohexane	A	A	A	C
Acetone	A	A	C/B	A	Detergents sythetic	A	A	A	A
Acetylene	A	A	A	A	Diacetone alcohol	A	A	A	A
Acylonitrile	A	A			Dichlorobenzene	-	B		
Adipic acid 15 25%	A	A	A	C/B	Dichloroethylene	-	A		
Alcohols	A	B			Diesel oil	A	A		
Aliphatic esters	A	C			Diethylamine	A	A		
Aliphatic hydrocarbons	A	A			Diethylene glycol	-	A		
Alkyl chlorides pure	B	C	A	D	Esters	-	A		
Alum	A	B	A	A	Ethers	B	A	A	C
Aluminium chloride	B	D	A	A	Ethyl acetate	C	A	B	B
Aluminium sulphate	A	B	A	A	Ethyl alcohol	B	A	A	A
Amines	A	A			Ethyl chloride dry	B	A	A	C
Amonia gas	A	B	C	A	Ethyl chloride wet	D	B	A	C
Ammonium bicarbonate	A	B	A	A	Ethylene glycol	B	A	A	A
Ammonium carbonate	A	B	A	A	Fatty acids	D	A	A	C
Ammonium chloride	B	B	A	A	Ferric chloride	D	D	A	A
Ammonium hydroxide	A	A	C/B	A	Ferric nitrate	D	A	A	A
Ammonium sulphate	A	B	A	A	Ferric sulphate	D	A	A	A
Amyl acetate	A	A	D	A	Ferrous sulphate	D	B	A	A
Amyl chloride	A	B	A	D	Fluorinated hydrocarbons	B	B		
Aqua regia	D	D	C	C/D	Fluorine dry gas	-	A	B	-
Aromatic hydrocarbons	A	A			Fluorine wet gas	B	D	B	D
Barium chloride	A	C	A	A	Fluorosilicic acid	D	B	A	B
Barium hydroxide	A	A	A	A	Formaldehyde 40%	C	B	A	B
Barium nitrate	A	A	A	A	Formic acid 50%	D	A	A	A
Benzene	A	A	A	D	Fruit juices	D	A	-	-
Benzoic acid	A	B	A	D	Fuel oil	B	A	A	D
Boric acid	B	C	A	A	Furfural	B	A	A	B
Brines(seawater)	C	B	A	C	Gallic acid 25%	D	A	A	B
Bromine dry	D	B	A	C	Gelatine	D	A	A	A
Bromine wet	D	D	A	C	Glucose	B	A	A	A
Butadiene	A	A	A	C	Glycerine	B	A	A	A
Butane	A	A	A	C	Glycols	B	A	A	A
Butyl acetate	A	A	A	C	Hydrobromic acid	D	D	A	A
Butyl alcohol	A	A	A	C	Hydrochloric acid 10% hot	D	D	A	D
Butyric acid	A	A	A	C	Hydrochloric acid 10%	D	D	A	B
Calcium bisulphate	A	C	A	A	Hydrocyanic acid	C	A	A	A
Calcium chloride	B	B	A	A	Hydrofluoric acid 40%	D	D	A	D
Calcium hydroxide	A	A	A	A	Hydrogen chloride dry	D	A	A	-
Calcium hypochlorite	B	D	A	A	Hydrogen chloride wet	D	D	A	-
Calcium nitrate	A	-	A	A	Hydrogen peroxide	D	B	A	A
Carbolic acid	A	B	A	C	Hydrogen sulphide dry	B	A	A	A
Carbon disulphide	A	A	A	C	Hydrogen sulphide wet	D	A	A	A
Carbonic acid	A	A	A	A	Hypochlorites	D	D	-	-
Carbon tetrachloride dry	A	B	A	D	Hypochlorous acid	-	D	A	B
Castor oil	A	A	A	C	Iodine wet	D	D	A	B
Chloric acid	D	D	A	A	Ketones	A	A	-	-
Chlorinated hydrocarbons	B	B	-	-	Lactic acid 10%	D	A	A	C
Chlorinated water saturated	C	C	-	-	Lead acetate	D	A	A	A
Chlorine dry gas	B	B	A	C	Lead nitrate 50%	D	A	A	A
Chlorine wet gas	D	D	-	-	Lime	-	A	A	A
Chlorine dioxide	D	-	A	C	Linseed oil	A	A	A	C
Chloroacetic acid	D	D	A	C	Litium bromide	-	B	A	A
Chlorobenzene dry	A	A	A	C	Litium chloride	-	B	A	A
Chloroform dry	A	D	A	D	Lubricating oils	A	A	A	D
Chlorosulphonic acid	C	B	A	D	Magnesium carbonate	D	A	A	A
Chrome acid dilute	A	B	-	-	Magnesium chloride	D	B	A	A
Chromic acid 50%	C	D	A	D	Magnesium hydroxide	B	A	A	A
Citric acid	A	C	A	A	Magnesium nitrate	D	A	A	A

www.sitecna.eu

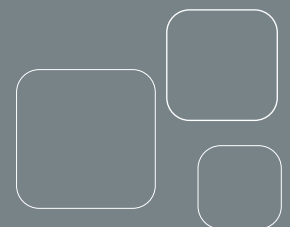
Media	316 SS	Aluminium	FKM	EPDM	Media	316 SS	Aluminium	FKM	EPDM
Magnesium sulphate	A	B	A	A	Sea water	B	A	A	A
Maleic acid	B	C	A	D	Siliconers	A	A	-	-
Malic acid	A	A	A	B	Silver bromide	D	D	A	A
Mercuric chloride	C	D	A	A	Silver chloride	D	D	A	A
Mercuric cyanide 5%	A	D	A	A	Silver nitrate	B	D	A	A
Mercuric iodine	-	D	A	A	Soaps	A	C	A	A
Mercuric nitrate 5%	A	D	A	A	Sodium acetate	A	B	A	A
Mercurous nitrate 5%	A	D	A	A	Sodium aluminate	B	D	A	A
Mercury	A	D	A	A	Sodium bicarbonate	A	A	A	A
Methyl alcohol	A	B	A	A	Sodium bisulphate	B	C	A	A
Methyl chloride dry	B	D	A	C	Sodium bisulphite	A	C	A	A
Methyl chloride wet	A	C	A	C	Sodium borate hot	A	C	A	A
Methyl ethyl ketone	A	A	A/B	A	Sodium bromide	A	B	A	A
Metyl isobutyl ketone	A	A	A	C	Sodium carbonate	A	D	A	A
Methyl methacrylate	A	-	A	D	Sodium chloride	B	B	A	A
Milk	A	A	A	A	Sodium chromate	A	A	A	A
Mixed acids nitric & sulphuric	B	B	A	A	Sodium cyanide	A	B	A	A
Molasses	A	B	-	-	Sodium dichromate	B	A	-	-
Naphtha	A	A	A	D	Sodium hydroxide 30%	A	D	A	-
Naphthalene	B	A	A	D	Sodium hypochlorite	C	C	A	A
Nickel chloride	C	D	A	A	Sodium metaphosphate	A	A	A	A
Nickel nitrate 5 10%	A	D	A	A	Sodium metasilicate	A	A	A	A
Nickel sulphate	A	D	A	A	Sodium nitrate	A	A	A	A
Nitric acid 25%	A	D	A	B	Sodium perborate	A	A	A	A
Nitric acid 70%	A	D	B	D	Sodium peroxide 10%	A	D	A	A
Nitric acid 100%	A	A	B	D	Sodium phosph. tribasic	B	D	A	A
Nitrobenzene	A	A	A	A	Sodium sulphate	A	B	A	A
Nonylphenol	A	-	-	-	Sodium sulphide	B	D	A	A
Oils essential	A	B	-	-	Sodium sulphite	A	B	A	A
Oils mineral	A	A	-	-	Sodium thiosulphate	A	A	A	A
Oils vegetable and animal	A	A	-	-	Stannic chloride	B	D	A	A
Oleic acid	B	A	A	D	Stannous chloride	B	D	A	A
Oleum	B	B	A	D	Starch	A	A	-	-
Oxalic acid 10%	B	C	A	A	Steam 0/400°F	A	A	A	A
Oxalic acid 30%	B	D	A	A	Stearic acid	A	A	A	B
Oxalic acid 50% boiling	C	D	A	A	Sugar liquors	A	A	-	-
Palmitic acid	A	B	A	B	Sulphonic acids	B	C	A	A
Paraffins	A	A	A	D	Sulphur fused	A	A	-	-
Petrol	A	A	A	D	Sulphar dioxide dry	A	A	A	A
Phenol	A	B	A	D	Sulphur dioxide wet	B	B	A	A
Phosphoric acid 10%	A	D	A	-	Sulphuric acid 5%	B	C	A	A
Phosphoric acid 30%	A	D	A	-	Sulphuric acid 5 20%	C	D	A	A
Phosphoric acid 50%	A	D	A	-	Sulphuric acid 20 80%	D	D	A	C
Phosphoric acid 10% boiling	B	D	-	-	Sulphuric acid 80%	B	C	A	D
Phosphorus trichloride dry	B	C	A	A	Sulphuric acid fuming	B	B	B	D
Phthalic acid	A	A	A	A	Sulphurous acid	B	C	A	B
Picric acid	A	B	A	A	Sulphur trioxide dry	B	A	-	-
Potassium bromide	A	B	A	A	Tannic acid	B	C	A	A
Potassium carbonate	A	B	A	A	Tar hot	A	A	A	D
Potassium chlorate	B	A	A	A	Tartaric acid	A	B	A	B
Potassium chloride	B	B	A	A	Tetrahydrofuran	B	-	-	-
Potassium chromate	A	A	A	A	Toluene	A	A	B	D
Potassium cyanide	A	C	A	A	Trichloretylene dry	B	A	A	D
Potassium dichromate	A	A	A	A	Triethanolamine	A	A	A	B
Potassium ferricyanide 25%	A	A	A	A	Turpentine	A	A	A	D
Potassium hydroxide 10%	A	D	A	A	Urea	A	B	A	A
Potassium hydroxide 50%	B	D	A	A	Varnish hot	A	A	A	D
Potassium nitrate	A	A	A	A	Vinagar	A	B	A	B
Potassium permanganate dilute	A	A	A	A	Vinyl chloride	B	A	A	D
Potassium silicate	A	A	A	-	Water distilled	A	A	A	A
Potassium sulphate	A	A	A	A	Water fresh	A	B	A	A
Propane	A	A	A	D	Whiskey	A	B	A	A
Propyl acetate	A	A	A	B	Wine	A	B	A	A
Propyl alcohol	A	A	A	A	Xylene	A	A	A	D
Pyridine	A	B	B	B	Zinc chloride	B	C	A	A
Pyrogallic acid	A	B	A	D	Zinc nitrate	B	B	A	A
Salicyclic acid	A	B	A	A	Zinc sulphate	A	C	A	A

BT-CTPD/C11C



Sitecna<sup>®</sup> is also the sole Italian distributor of the following brands:

- PMV
- Sigma HLR
- Alkon
- Condor Technology
- Imperial
- Waverley brownall
- Uni-lok
- Seetru
- Glass Specialist





Manufacturer of digital positioners, analog positioners and switchboxes



Manufacturer of fittings, flow regulators & electro-pneumatic valves



Manufacturer of atmospheric or enclosed discharge safety relief valves, change-over valves, liquid level gauges



Manufacturer of controller units, manual relays, pressure sensors, hydraulic & quick exhaust valves



Manufacturer of instrumentation fittings, ball, needle, check, relief valves



Manufacturer of instrumentation fittings, ball, needle, check, diaphragm, bellows, manifold valves



Manufacturer of instrumentation heaters & thermostats for hazardous locations



Manufacturer of plastic tubing, valves & instrumentation solutions



\*To visit official web-sites of our partners, use the linked QR code