



Durco® BTV-2000 Valve Lined Chemical Service Valves

Valve Technology for the 21st Century



Quality System Certificate

PED 97/23/CE Compliant
Pressure Equipment Directive

Experience In Motion

An important product from Flowserve: the company that introduced the GPI's first fluoropolymer-lined butterfly valve in 1965!



Durco BTV-2000 Features Cost-Effective, Super-Safe Performance

Extra-wide spheroidal seat design provides positive shutoff.

One-piece 1/8 in (3 mm) thick (nominal) PFA or UHMWPE encapsulated disc locked onto nickel-plated ductile iron substrate...or choose from a wide variety of alloys.

1/8 in (3 mm) thick (nominal) rigid machined PTFE or UHMWPE liner is recessed in body, preventing cold flow and facilitating installation.

Disc swing is compatible with ASTM F423-82 fluoropolymer-lined pipe.

ASTM A395 ductile cast iron split body provides easy rebuild.



Popular "double-D" shaft drive provides positive valve position indication and simplifies adaption to automatic operation.

Interchangeable actuator mounting plate accommodates ISO, MSS or special actuators.

10-position locking lever and throttle plate or gear-operated options are available.

Epoxy-coated body and mounting plate resist the effect of atmospheric corrosion.

High-strength B7 fasteners contain the shaft seal and bearing assembly while fighting atmospheric corrosion.

Notches on wafer or full lug body result in precise centering between flanges.

Wafer or lug body is rated to 150 psi.

Ratings and Sizes

Durco BTV-2000 valves meet the design criteria of MSS SP67, API 609 and ISO 5752/20. Conforming to ASME and available to DIN PN10 and PN16 requirements, they are rated from full vacuum to 150 psi (1034 kPa). PTFE liners with

PFA discs may be specified to 177°C (350°F). UHMWPE liners and discs may be specified to 93°C (200°F). Applications over 180°F are subject to review. BTV-2000 valves are available in sizes 2 in (50 mm) through 24 in (600 mm).

Dependable tight shutoff for the toughest service conditions

Viton® O-rings provide atmospheric seal

Optional NPT connections for sealing lubricant, inert gas pad, purge or leak detection

PTFE-filled composite bearing

Convolutions create tortuous no-leak path for enhanced independent secondary shaft seal

PTFE to PFA (or PTFE to alloy) stem seal

Machined spherical ball & socket disc/liner seal and primary shaft seal

Blowout-proof stem

Tamper-proof fasteners for personnel safety

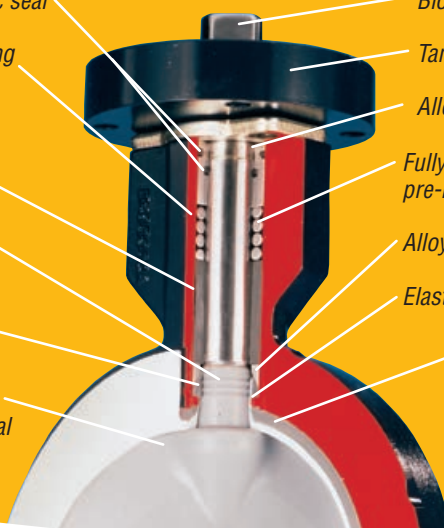
Alloy gland follower

Fully compressed spring keeps constant pre-load on PTFE seam seal

Alloy wedge ring

Elastomer compression ring

Elastomer seat energizer locked in by machined groove in body is not dependent upon mating flange for line seal



Ideal for Applications Requiring Stem-Sealing Assurance

Maintenance-Free, Live Loaded Triple-Seal Design Assures Bubble-Tight Shutoff Stem Seals

Dynamically energized shaft seals provide super-safe operation.

BTV-2000 provides triple-stem seal protection. The primary seal is formed at the disc hub by the spherical ball and socket disc/liner seal. An independent secondary seal of PTFE-covered PFA convolutions on the disc stem enhances sealing with its “tortuous” no-leak path design. Finally, the O-rings in the alloy gland follower offer added protection from external media corrosion as well as preventing leakage to the atmosphere.

Leak-tight sealing is further assured by a compression spring, which keeps the dynamic pre-load force constant while energizing the various components of the triple-shaft seal design.

This dynamic, live loaded shaft seal never needs adjustment.

Unique, energized seat design results in bubble-tight shutoff.

The spherical ball and socket disc/liner design provides a 360° contact seat seal. The rounded radius of the disc fits into the socket of the machined liner and stays in constant contact with the seat. The liner itself is recessed into the valve body for added stability and to prevent possible leakage due to cold flow or improper valve installation.

A live loaded elastomer seat energizer enhances sealing. Isolated and protected in the grooved valve body, the elastomer energizer operates independently of mating flange torque for constant line seal performance.

A wide choice of materials for the toughest service conditions.

There is a PTFE liner for severely corrosive chemical services or UHMWPE for tough corrosion-erosion applications.

A one-piece PFA encapsulated disc (with a DCI/ENC substrate) is standard for chemical services. A UHMWPE encapsulated disc may be specified when abrasion resistance is needed.

A wide variety of optional metallic discs is available, ranging from 316 stainless steel, Durimet 20 and 254 SMO¹ to Monel², Chlorimet 2 & 3 and palladium stabilized titanium.

Unequaled performance in high temperature/high cycle services.

Heavy-duty design of both components and materials enables the use of BTV-2000 valves with total confidence, even in the most difficult operating conditions.

1. Registered trademark of Avesta AB.

2. Registered trademark of the International Nickel Company.

© Viton is a registered trademark of the DuPont Company.

Flowserve has been a pioneer in the application of fluoropolymer materials with chemical process equipment since the introduction of the first PTFE sleeved plug valve in 1948. Although primarily used for its lubricity, the corrosion-resistant features of PTFE quickly became evident.



Unequaled Quality From the World's Oldest and Largest Manufacturer of Fluoropolymer-Lined Valves

In 1965, Flowserve scored two more CPI firsts with the introduction of the T-Line[®], a fully lined plug valve, and a PTFE-lined chemical service butterfly valve.

Over the years, Flowserve has gained a worldwide reputation for the quality and integrity of its fluoropolymer-lined products. Flowserve is simply unequaled in its processing and manufacturing capabilities.

The Flowserve Engineered Plastic Products Division (EPP) not only produces most of the fluoropolymer components used in BTV-2000 valves but also provides materials research and development. The Flow Control Division at Cookeville, Tenn., has the experience and know-how to consistently manufacture fluoropolymer components and products of world-class quality. Plus, its Valve Engineering laboratory possesses a full range of product development and performance testing capabilities.

Flowserve is one of the few valve manufacturers that has both the in-house materials expertise and processing technology to manufacture fluoropolymer-lined valve products.

PTFE Liners

Flowserve offers a thick, one-piece PTFE liner that forms the seat, flange gaskets and stem seals. Using only virgin high-grade PTFE resin, a unique molding process produces a high-density billet, resulting in minimum permeability. It is then machined into a finished liner, dye checked and spark tested at 20 000 volts to ensure the absence of pin holes and defects.

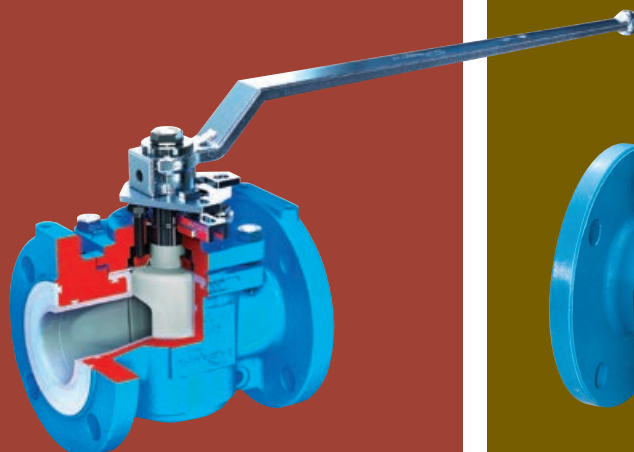
PTFE is used because it has optimum chemical resistance and a higher service temperature than FEP or synthetic elastomers. Other features of PTFE are its low coefficient of friction, and low absorption and swelling. These characteristics result in a constant seating torque, which is so critical in automated installations.



Optional UHMWPE liners and encapsulated discs offer superior abrasion resistance.

Flowserve is the world's largest manufacturer of lined valves with T4E1/T4E3 plug valves and Atomac ball valves, plus the BTV-2000.

Durco T4E Plug Valve



Atomac Lined Ball Valve



100% Tests

Every valve is spark tested and hydrostatically tested prior to shipment. The valve seat is tested at 150 psi (1034 kPa), while the stem seals are subjected to a 225 psi test. Each valve has a stainless steel tag displaying its figure number for identification and maintenance reference and complies with MSS SP25 for identification. All valves are fitted with covers to protect the fluoropolymer liner until installation.

Applications

PTFE-lined BTV-2000 valves can be found throughout the CPI wherever chemical fluids are produced, processed, handled or disposed.

Some of the more typical services include:

- HCL
- HNO₃
- H₂SO₄
- Chlorinated brine
- Chlorinated organics
- Bleach
- Herbicides
- Pesticides
- Solvents
- White liquor
- Wet CL₂
- Electrogalvanizing solutions
- Sodium chlorate
- CLO₂

UHMWPE Liners

Ultra-high molecular weight polyethylene (UHMWPE) is a tough and durable polymer, ideally suited for severe erosive services while offering good corrosion resistance. Flowserve high density UHMWPE conforms to the specification ASTM D4020, which defines the parameters for "True" UHMWPE.

UHMWPE is a natural choice for media containing abrasive particles, either with or without corrosive conditions. UHMWPE-lined BUV-2000 valves are an excellent alternative and will consistently outperform rubber-lined diaphragm, pinch, plug and gate valves.

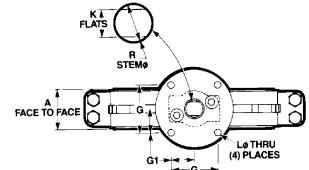
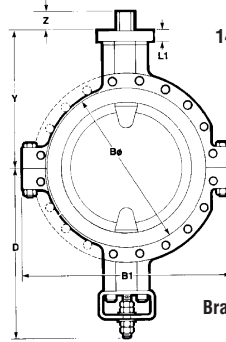
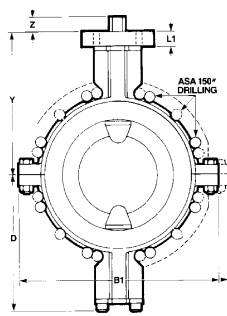
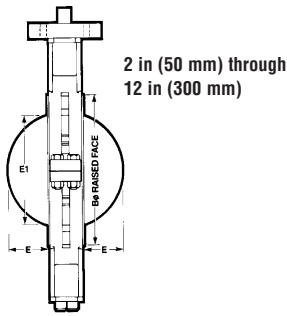
UHMWPE-lined BUV-2000 valves perform cost effectively in the most severely erosive services.

When abrasive particles which would quickly destroy most metals and other non-metallics are present, BUV-2000 UHMWPE-lined valves are the first choice. Typical applications include:

- Lime slurry
- Fly ash
- Caustic services
- Ferric chloride
- Titanium dioxide

Additional Applications

- Pulp and paper processing
- Chemical processing
- Solids handling
- Pollution abatement
- Mining and metal refining



Bracket on 20 in (500 mm) and 24 in (600 mm) Sizes Only

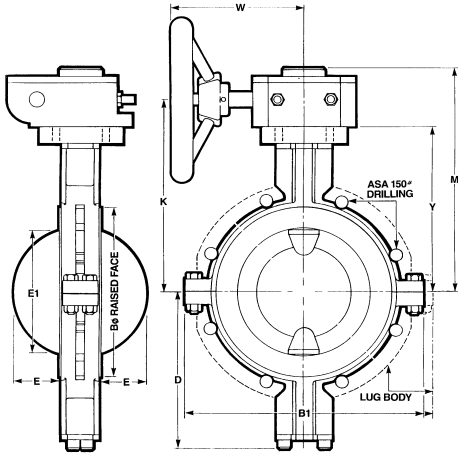
Wafer Dimensions Only				
SIZE in (mm)	NO. OF FASTENERS	FASTENER HOLE in (mm)	B.C. in (mm)	B1 in (mm)
2 (50)	-	-	-	6 (152.4)
3 (80)	-	-	-	7 7/8 (200)
4 (100)	-	-	-	8 3/4 (222.3)
5 (125)	-	-	-	9 3/4 (247.7)
6 (150)	-	-	-	10 1/2 (266.7)
8 (200)	-	-	-	14 (355.6)
10 (250)	-	-	-	17 (431.8)
12 (300)	-	-	-	18 7/8 (479.4)
14 (350)	8	1 1/8 (28.5)	18 3/4 (476.3)	21 1/4 (552.5)
16 (400)	8	1 1/8 (28.5)	21 1/4 (539.8)	25 (635)
18 (450)	12	(4) 1 1/4 (31.7) (8) 1 1/8-8* (28.5)	22 3/4 (577.9)	26 3/4 (679.5)
20 (500)	12	(4) 1 1/4 (31.7) (8) 1 1/8-8* (28.5)	25 (635.0)	30 (762)
24 (600)	12	(4) 1 1/8 (34.9) (8) 1 1/4-8* (31.8)	29 1/2 (749.3)	36 (914.4)

Dimensions Common to BTV-2000 Wafer and Lug Valves													
A in (mm)	BØ in (mm)	D in (mm)	E in (mm)	E1 in (mm)	G in (mm)	G1 in (mm)	K in (mm)	LØ in (mm)	L1 in (mm)	RØ in (mm)	Y in (mm)	Z in (mm)	
1 11/16 (42.8)	3 7/8 (92.0)	4 11/16 (125.4)	0.390 (9.90)	1.801 (45.74)	2 1/4 (57.1)	1 7/8 (28.5)	0.562 (14.27) 0.558 (14.17)	3/8 (9.5)	3/4 (19.0)	0.718 (18.23) 0.708 (17.98)	5 7/16 (131.7)	1 1/32 (27.7)	
1 13/16 (46.0)	5 (127)	5 3/32 (137.3)	0.672 (17.06)	2.586 (65.68)	2 1/4 (57.1)	1 7/8 (28.5)	0.562 (14.27) 0.558 (14.17)	3/8 (9.5)	3/4 (19.0)	0.718 (18.23) 0.708 (17.98)	6 1/32 (159.5)	1 1/32 (27.7)	
2 1/16 (52.3)	6 (152.4)	6 3/32 (162.7)	0.994 (25.24)	3.487 (88.56)	2 1/4 (57.1)	1 7/8 (28.5)	0.562 (14.27) 0.558 (14.17)	3/8 (9.5)	3/4 (19.0)	0.718 (18.23) 0.708 (17.98)	6 3/32 (172.2)	1 1/32 (27.7)	
2 7/32 (56.3)	7 7/8 (181.0)	8 (203.2)	1 1/8 (34.9)	4 1/16 (112.7)	3 (76.2)	1 1/2 (38.1)	0.843 (21.41) 0.839 (21.31)	7/16 (11.1)	1 (25.4)	1.093 (27.76) 1.083 (27.50)	8 1/2 (215.9)	1 1/2 (38.1)	
2 7/32 (56.3)	8 3/4 (209.5)	8 1/2 (215.9)	1.860 (47.24)	5.510 (139.9)	3 (76.2)	1 1/2 (38.1)	0.843 (21.41) 0.839 (21.31)	7/16 (11.1)	1 (25.4)	1.093 (27.76) 1.083 (27.50)	9 (228.6)	1 (25.4)	
2 7/8 (60.3)	10 3/4 (260.3)	9 7/16 (239.7)	2.688 (68.27)	7.379 (187.4)	3 (76.2)	1 1/2 (38.1)	0.843 (21.41) 0.839 (21.31)	7/16 (11.1)	1 (25.4)	1.093 (27.76) 1.083 (27.50)	9 7/16 (252.4)	1 (25.4)	
2 11/16 (68.2)	12 1/4 (311.1)	11 29/32 (302.4)	3.626 (92.10)	9.569 (243.0)	3 1/2 (88.9)	1 3/4 (44.4)	1.190 (30.22) 1.186 (30.12)	9/16 (14.2)	1 (25.4)	1.468 (37.28) 1.458 (37.03)	12 9/32 (311.94)	1 1/4 (44.5)	
3 3/32 (78.5)	14 7/8 (365.1)	12 5/16 (328.6)	4.438 (112.7)	11.564 (293.7)	3 1/2 (88.9)	1 3/4 (44.4)	1.190 (30.22) 1.186 (30.12)	9/16 (14.2)	1 (25.4)	1.468 (37.28) 1.458 (37.03)	13 3/16 (338.14)	2 7/8 (53.98)	
3 3/32 (78.5)	16 1/4 (412.7)	13 9/16 (354.0)	5.016 (127.4)	12.755 (323.9)	4 1/4 (107.95)	2 7/8 (53.98)	1.248 (31.7) 1.246 (31.65)	9/16 (14.2)	1 1/2 (38.1)	1.719 (43.66) 1.709 (43.41)	14 1/16 (366.71)	2 (50.8)	
4 (101.6)	18 1/2 (469.9)	15 1/16 (385.7)	5.625 (142.8)	14.716 (373.7)	4 3/4 (107.95)	2 7/8 (53.98)	1.560 (39.62) 1.558 (39.57)	9/16 (14.2)	1 1/2 (38.1)	1.968 (49.99) 1.958 (49.73)	15 11/16 (398.46)	2 (50.8)	
4 1/2 (114.3)	21 (533.4)	18 11/32 (485.9)	6.406 (162.7)	16.717 (424.6)	4 3/4 (107.95)	2 7/8 (53.98)	1.873 (47.57) 1.871 (47.52)	1 1/16 (17.46)	1 1/2 (38.1)	2.468 (62.69) 2.458 (62.43)	18 29/32 (475.45)	2 (50.8)	
5 (127.0)	23 (584.2)	24 1/2 (622.3)	7 3/32 (181.7)	18 29/32 (473.8)	4 3/4 (107.95)	2 7/8 (53.98)	1.873 (47.57) 1.871 (47.52)	1 1/16 (17.46)	1 1/2 (38.1)	2.468 (62.69) 2.458 (62.43)	19 29/32 (500.8)	2 1/4 (69.85)	
6 1/16 (154.0)	26 3/4 (679.5)	26 (660.9)	7 29/32 (197.6)	20 1/4 (527.1)	5 1/8 (143.7)	2 29/64 (71.8)	1.875 (47.6) 1.870 (47.5)	1 1/16 (20.6)	2 (50.8)	2.964 (75.3) 2.954 (75.0)	21 29/32 (556.4)	2 3/32 (57.9)	

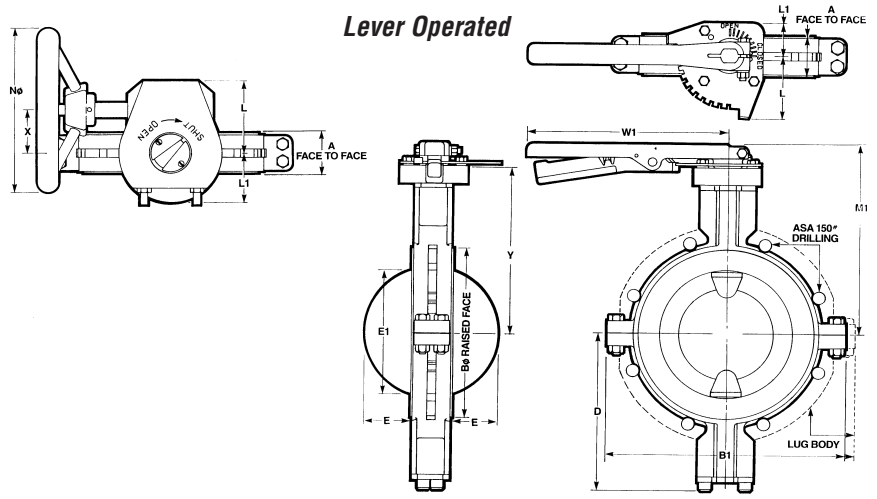
Lug Dimensions Only				
SIZE in (mm)	NO. OF FASTENERS	150# TAPPED		
		THREAD SIZE in (mm)	B.C. in (mm)	B1 in (mm)
2 (50)	4	3/8-11	4 3/4 (120.6)	6 3/8 (168.3)
3 (80)	4	3/8-11	6 (152.4)	9 1/4 (235)
4 (100)	8	3/8-11	7 1/2 (190.5)	10 (254)
-	N/A	N/A	-	N/A
6 (150)	8	3/4-10	9 1/2 (241.3)	12 1/4 (311.1)
8 (200)	8	3/4-10	11 3/4 (298.4)	15 1/8 (384.2)
10 (250)	12	7/8-9	14 1/4 (361.9)	18 1/2 (469.9)
12 (300)	12	7/8-9	17 (431.8)	21 1/8 (536.6)
14 (350)	12	1-8	18 3/4 (476.2)	21 1/4 (552.5)
16 (400)	16	1-8	21 1/4 (539.7)	25 (635)
18 (450)	16	1 1/8-8	22 3/4 (577.8)	26 3/4 (679.5)
20 (500)	20	1 1/8-8	25 (635.0)	30 (762)
24 (600)	20	1 1/4-8	29 1/2 (749.3)	36 (914.4)

All dimensions are approximate and for illustration purposes only. For exact dimensions, request certified dimensional prints. *The two fastener holes on either side of the shaft, top and bottom, are tapped blind holes (both sides).

Gear Operated



Lever Operated



Dimensions for BTV-2000 Wafer and Lug Valves With Gear Operators

SIZE in (mm)	A in (mm)	BØ in (mm)	B1 in (mm)	D in (mm)	E in (mm)	E1 in (mm)	K in (mm)	L in (mm)	L1 in (mm)	M in (mm)	NØ in (mm)	W in (mm)	X in (mm)	Y in (mm)
2 (50)	1 ^{1/16} (42.8)	3 ^{7/8} (92.0)	6 (152.4)	4 ^{15/16} (125.4)	0.390 (9.90)	1.801 (45.74)	6 ^{7/16} (160.3)	3 ^{7/8} (79.3)	2 (50.8)	7 ^{7/8} (187.3)	4 (101.6)	5 ^{1/4} (133.3)	1 ^{1/32} (50.0)	5 ^{1/16} (131.7)
3 (80)	1 ^{1/16} (46.0)	5 (127)	7 ^{7/8} (200.0)	5 ^{19/32} (137.3)	0.672 (17.06)	2.586 (65.68)	7 ^{19/32} (188.1)	3 ^{7/8} (79.3)	2 (50.8)	8 ^{1/2} (215.9)	4 (101.6)	5 ^{1/4} (133.3)	1 ^{1/32} (50.0)	6 ^{1/32} (159.5)
4 (100)	2 ^{1/16} (52.3)	6 (152.4)	8 ^{3/4} (222.2)	6 ^{19/32} (162.7)	0.994 (25.24)	3.487 (88.56)	7 ^{19/32} (200.8)	3 ^{7/8} (79.3)	2 (50.8)	9 (228.6)	4 (101.6)	5 ^{1/4} (133.3)	1 ^{1/32} (50.0)	6 ^{1/32} (172.2)
5 (125)	2 ^{1/32} (56.3)	7 ^{1/8} (181.0)	10 ^{3/8} (269.9)	8 (203.2)	1 ^{1/8} (34.9)	4 ^{1/16} (112.7)	9 ^{1/4} (247.7)	3 ^{5/8} (92.0)	2 ^{1/2} (63.5)	11 ^{1/4} (285.8)	8 (203.2)	6 ^{3/4} (171.4)	2 ^{1/8} (60.3)	8 ^{1/2} (215.9)
6 (150)	2 ^{1/32} (56.3)	8 ^{1/4} (209.5)	10 ^{1/2} (266.7)	8 ^{1/2} (215.9)	1.860 (47.24)	5.510 (139.9)	10 ^{1/4} (260.3)	3 ^{5/8} (92.0)	2 ^{1/2} (63.5)	11 ^{1/4} (298.4)	8 (203.2)	6 ^{3/4} (171.4)	2 ^{1/8} (60.3)	9 (228.6)
8 (200)	2 ^{1/8} (60.3)	10 ^{1/4} (260.3)	14 (355.6)	9 ^{1/16} (239.7)	2.688 (68.27)	7.379 (187.4)	11 ^{1/16} (293.6)	4 ^{1/8} (111.1)	3 (76.2)	13 ^{1/2} (324.9)	12 (304.8)	7 ^{3/8} (200.0)	2 ^{1/8} (66.6)	9 ^{1/2} (252.4)
10 (250)	2 ^{1/16} (68.2)	12 ^{1/4} (311.1)	17 (431.8)	11 ^{19/32} (302.4)	3.626 (92.10)	9.569 (243.0)	13 ^{19/32} (353.2)	4 ^{1/8} (111.1)	3 (76.2)	15 ^{13/16} (401.6)	12 (304.8)	7 ^{3/8} (200.0)	2 ^{1/8} (66.6)	12 ^{1/32} (311.9)
12 (300)	3 ^{1/32} (78.5)	14 ^{1/8} (365.1)	19 ^{1/16} (490.5)	12 ^{15/16} (328.6)	4.438 (112.7)	11.564 (293.7)	14 ^{1/8} (377.8)	5 (127)	3 (76.2)	16 ^{1/8} (428.6)	12 (304.8)	8 ^{1/2} (215.9)	3 (76.2)	13 ^{1/16} (338.1)
14 (350)	3 ^{1/32} (78.5)	16 ^{1/4} (412.7)	21 ^{1/4} (552.4)	13 ^{15/16} (354.0)	5.016 (127.4)	12.755 (323.9)	16 ^{1/16} (411.1)	5 ^{1/8} (136.5)	3 ^{1/2} (88.9)	18 ^{1/16} (461.9)	14 (355.6)	12 ^{1/4} (311.1)	3 ^{3/8} (85.7)	14 ^{1/16} (366.7)
16 (400)	4 (101.6)	18 ^{1/2} (469.9)	25 (635.0)	15 ^{1/16} (385.7)	5.625 (142.8)	14.716 (373.7)	17 ^{1/16} (446.0)	6 ^{1/8} (168.2)	3 ^{1/2} (88.9)	19 ^{11/16} (500.0)	18 (457.2)	12 ^{1/4} (311.1)	4 ^{1/8} (111.1)	15 ^{1/16} (398.4)
18 (450)	4 ^{1/2} (114.3)	21 (533.4)	26 ^{3/4} (679.4)	18 ^{11/32} (465.9)	6.406 (162.7)	16.717 (424.6)	20 ^{19/32} (523.0)	6 ^{1/8} (168.2)	4 (101.6)	22 ^{1/4} (577.8)	18 (457.2)	12 ^{1/4} (311.1)	4 ^{1/8} (111.1)	18 ^{1/32} (475.4)
20 (500)	5 (127.0)	23 (584.2)	30 (762.0)	24 ^{1/2} (622.3)	7 ^{1/32} (181.7)	18 ^{17/32} (473.8)	21 ^{19/32} (548.4)	7 ^{1/8} (193.6)	4 (101.6)	23 ^{3/8} (606.4)	18 (457.2)	12 ^{1/4} (311.1)	5 ^{1/4} (136.5)	19 ^{1/32} (500.8)
24 (600)	6 ^{1/16} (154.0)	26 ^{3/4} (679.5)	36 ^{3/4} (933.5)	26 (660.4)	7 ^{1/32} (197.6)	20 ^{1/4} (527.1)	23 ^{19/32} (604.0)	7 ^{1/8} (193.6)	4 ^{1/4} (120.7)	26 ^{1/32} (661.2)	18 (457.2)	12 ^{1/16} (309.6)	5 ^{3/8} (136.5)	21 ^{19/32} (556.4)

Dimensions for BTV-2000 Wafer and Lug Valves With Lever Operators

SIZE in (mm)	L in (mm)	L1 in (mm)	M1 in (mm)	W1 in (mm)
2 (50)	3 ^{3/4} (95.2)	2 (50.8)	7 ^{1/4} (184.1)	14 (355.6)
3 (80)	3 ^{3/4} (95.2)	2 (50.8)	7 ^{9/16} (192.1)	14 (355.6)
4 (100)	3 ^{3/4} (95.2)	2 (50.8)	8 (203.2)	14 (355.6)
5 (125)	3 ^{3/4} (95.2)	2 (50.8)	9 ^{13/16} (249.2)	12 (304.8)
6 (150)	3 ^{3/4} (95.2)	2 (50.8)	10 ^{1/16} (261.9)	14 (355.6)
8 (200)	3 ^{3/4} (95.2)	2 (50.8)	11 ^{1/4} (285.7)	14 (355.6)

Gear Operators

VALVE SIZE in (mm)	GEAR MODEL
2 (50)	MX
3 (80)	MX
4 (100)	MX
5 (125)	MZ
6 (150)	MZ
8 (200)*	MV
10 (250)*	MV
12 (300)*	MY
14 (350)*	MA
16 (400)*	MB
18 (450)*	MB
20 (500)	MC
24 (600)	MC

All dimensions are approximate and for illustration purposes only. For exact dimensions, request certified dimensional prints.

*Normally gear operated due to safety and torque requirements.

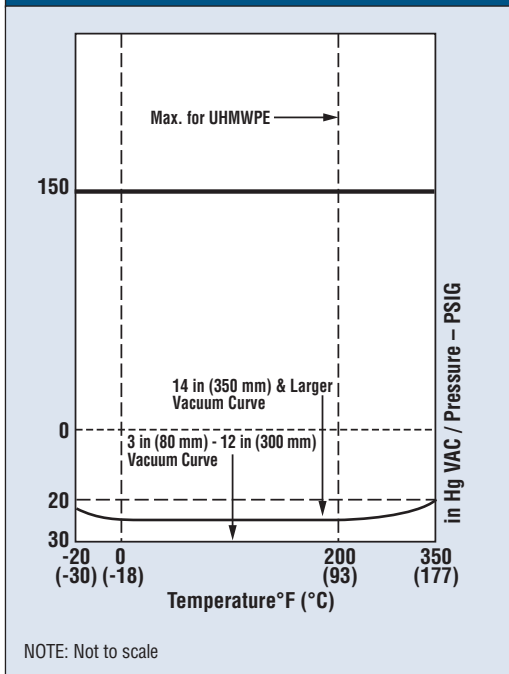
BTV-2000 Valve Weights in Pounds (Kilograms)

SIZE – in (mm)	2 (50)	3 (80)	4 (100)	5 (125)	6 (150)	8 (200)	10 (250)	12 (300)	14 (350)	16 (400)	18 (450)	20 (500)	24 (600)
	lbs (kg)	lbs (kg)	lbs (kg)	lbs (kg)	lbs (kg)	lbs (kg)	lbs (kg)	lbs (kg)	lbs (kg)	lbs (kg)	lbs (kg)	lbs (kg)	lbs (kg)
Wafer	13.5 (6.1)	16.5 (7.5)	21.5 (9.7)	28 (12.7)	37 (16.8)	51 (23.1)	88 (39.9)	114 (51.7)	235 (106.6)	280 (127.0)	405 (183.7)	515 (233.6)	1000 (453)
Lug	17 (7.7)	24 (10.9)	32 (14.5)	N/A	51 (23.1)	74 (33.6)	124 (56.2)	174 (78.9)	275 (124.7)	370 (167.8)	490 (222.3)	618 (280.3)	1370 (621.4)

BTV-2000 Manual Operator Weights in Pounds (Kilograms)

SIZE – in (mm)	2 (50)	3 (80)	4 (100)	5 (125)	6 (150)	8 (200)	10 (250)	12 (300)	14 (350)	16 (400)	18 (450)	20 (500)	24 (600)
	lbs (kg)	lbs (kg)	lbs (kg)	lbs (kg)	lbs (kg)	lbs (kg)	lbs (kg)	lbs (kg)	lbs (kg)	lbs (kg)	lbs (kg)	lbs (kg)	lbs (kg)
Locking Lever	5.0 (2.3)	5.0 (2.3)	5.0 (2.3)	5.0 (2.3)	5.0 (2.3)	5.0 (2.3)	N/A	N/A	N/A	N/A	N/A	N/A	N/A
Gear	9.0 (4.1)	9.0 (4.1)	9.0 (4.1)	15 (6.8)	15 (6.8)	30 (13.6)	30 (13.6)	30 (13.6)	40 (18.1)	64 (29.0)	64 (29.0)	76 (34.5)	76 (34.5)

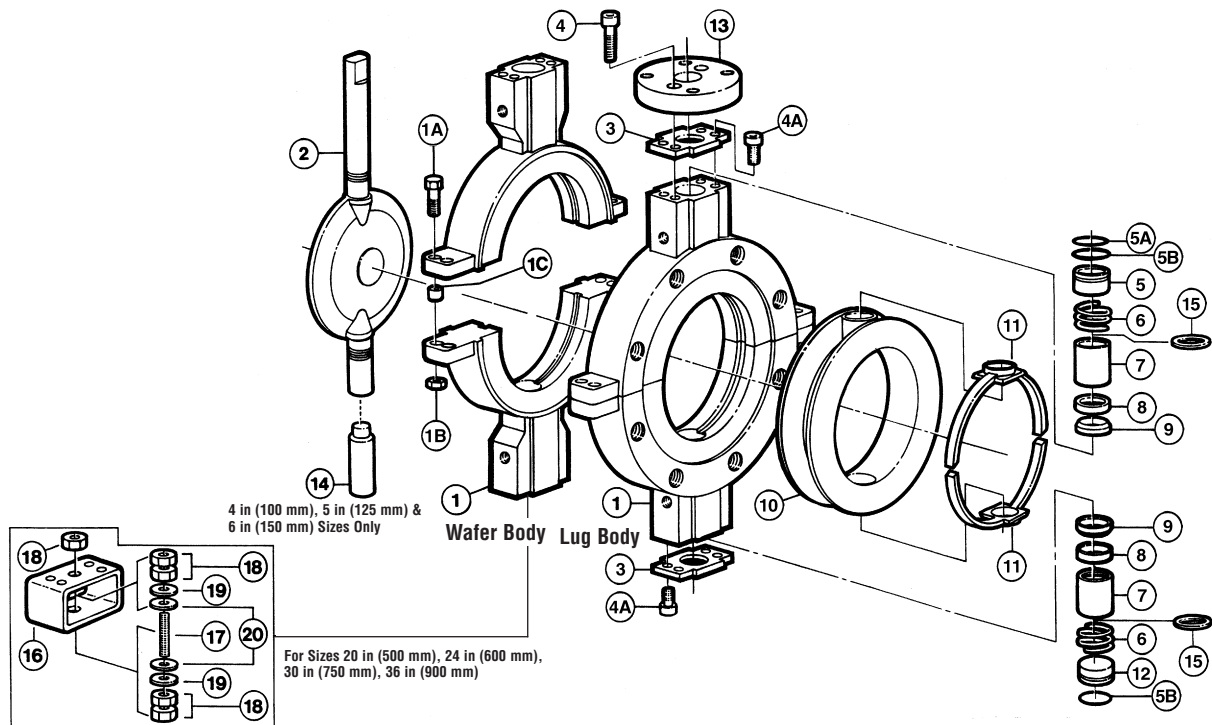
Pressure-Temperature Curve



Item	Description and <i>Material of Construction</i>	Number Required for These Sizes													
		Size	2	3	4	5	6	8	10	12	14	16	18	20	24
1	Body <i>ASTM A395 Ductile Iron</i>		●						2 Pieces						
1A*	Hex. Hd. Cap Screw <i>B7 ASTM A193</i>		●						4 Pieces						
1B*	Hex Nut <i>2H ASTM A194</i>		●						4 Pieces						
1C	Bushing <i>Steel</i>		●						2 Pieces						
2	Disc: <i>DIPA^a, Alloy; or CDPE^a</i>		●						1 Piece						
3*	Retainer Plate <i>Zinc Plated Steel</i>		●—1—●	●					2 Pieces		●		●—1—●		
4	Soc. Hd. Cap Screw <i>Zinc Plated Steel</i>		●						2 Pieces						
4A*	Soc. Hd. Cap Screw <i>Zinc Plated Steel</i>		●—2—●	●					6 Pieces						
5*	Gland-Top <i>Stainless Steel</i>		●						1 Piece						
5A*	“O” Ring Inboard <i>Viton</i>		●						1 Piece						
5B*	“O” Ring Outboard <i>Viton</i>		●—1—●	●					2 Pieces						
6*	Spring <i>Stainless Steel</i>		●—1—●	●					2 Pieces						
7*	Bearing <i>PTFE filled composite</i>		●—1—●	●					2 Pieces		●		●—4—●		
8*	Ring-Stem Wedge <i>Stainless Steel</i>		●—1—●	●					2 Pieces						
9*	Ring-Stem Compression <i>Silicone (Viton Optional)</i>		●—1—●	●					2 Pieces						
10*	Liner <i>Sentinel™ (Durlon II, PTFE or UHMWPE)</i>		●						1 Piece						
11*	Seat Energizer <i>Silicone (Viton Optional)</i>		●						2 Pieces						
12*	Gland-Bottom <i>Stainless Steel</i>		○	○	●				1 Piece						
13	Plate-Mounting <i>Steel</i>		●						1 Piece						
14	Stem-Extension (4" and 6" Sizes Only) <i>Stainless Steel</i>		○	○	●—1—●	●			○	○	○	○	○	○	
15*	Spacer <i>Stainless Steel</i>		●						Variable Quantity						
16	Bracket <i>Steel</i>		○	○	○	○	○	○	○	○	○	○	○	○—1—○	
17	Stud <i>Stainless Steel</i>		○	○	○	○	○	○	○	○	○	○	○	○—1—○	
18	Hex Nut <i>Stainless Steel</i>		○	○	○	○	○	○	○	○	○	○	○	○—5—○	
19	Washer <i>Stainless Steel</i>		○	○	○	○	○	○	○	○	○	○	○	○—2—○	
20	Washer <i>PTFE</i>		○	○	○	○	○	○	○	○	○	○	○	○—2—○	

a. Disc: DIPA-PFA encapsulated nickel plated ductile iron insert. CDPE-UHMWPE encapsulated CD4Mcu insert.

*Recommended spare parts available only as a kit.



Choose from a complete line of Automax® Valve automation equipment for precise proportioning and on-off control.



Flowserve Puts You in Control

A specialist in complete automation systems, Flowserve markets a broad line of rack and pinion, heavy-duty, electric and linear actuators. In addition, a comprehensive line of engineered special control circuits, solenoid valves, limit switches, positioners and actuator mounting kits is offered.

Automax rack and pinion actuators incorporate advanced materials and construction for long trouble-free life.

- Precision-extruded hard anodized aluminum body and pistons (PTFE impregnated)
- Massive, one-piece pinion for extra strength
- Double-acting and spring return
- Torque range from 60 in/lbs to 40 000 in/lbs

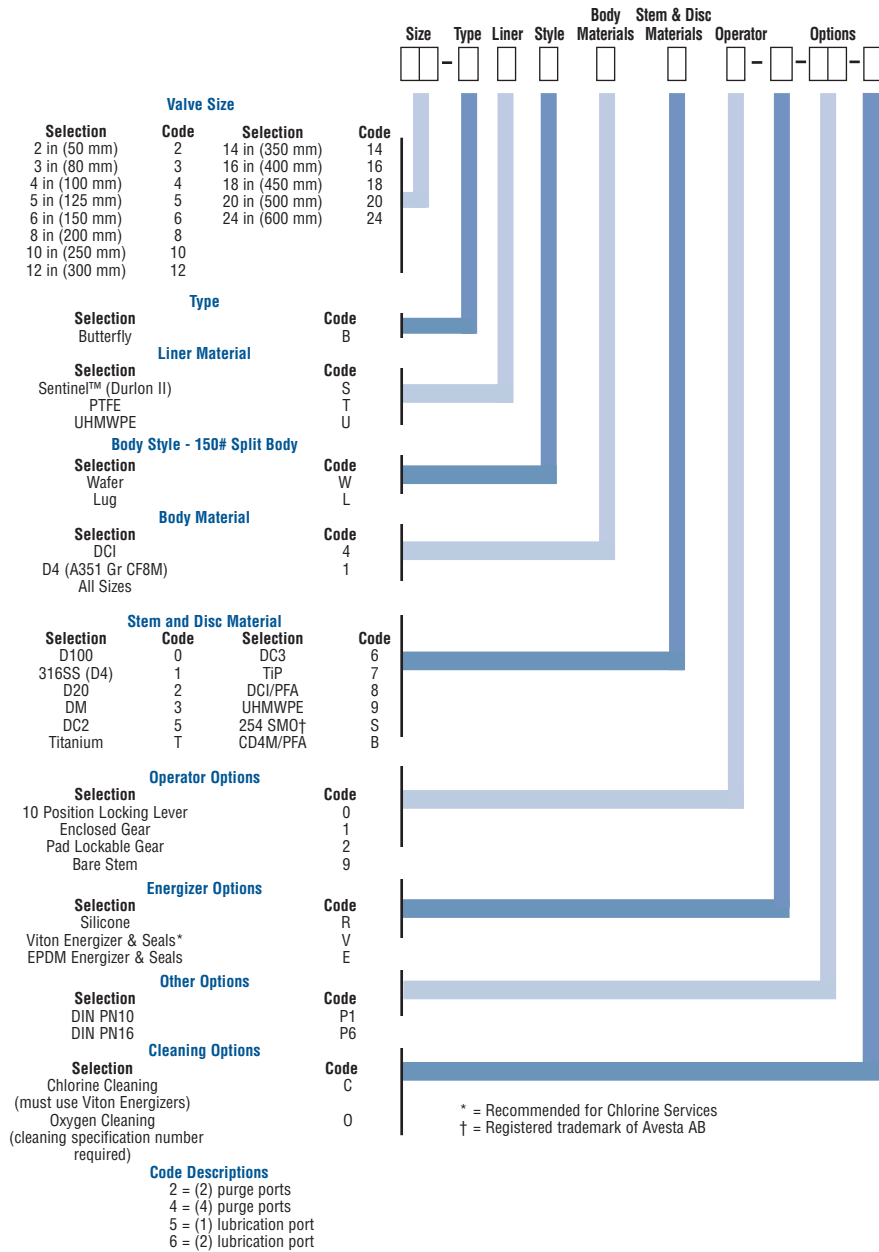
Design Changes

In order to follow the Flowserve commitment to continuous improvement, we reserve the right to change product and performance specifications without notice.

Selection, Installation, Operation and Maintenance

Although Flowserve can, and often does, provide general guidelines, it is obviously not possible to provide application-specific data and warnings for all conceivable applications. The purchaser/end user must therefore assume the ultimate responsibility for the proper selection, installation, operation and maintenance of the products. Read the appropriate IOM available from Cookeville, TN 38501 before installing, operating or repairing any valve. The purchasers/end user should train its employees and/or contractors in the safe use of the Flowserve products in connection with the purchaser's manufacturing processes.





How to Specify BTV/BUV Lined Butterfly Valves

PTFE Lined Butterfly Valve – two-piece epoxy coated ductile iron body to ASTM A395. Epoxy coating to be electro-static dry powder spray, heat cured. The valve should meet the design requirements of ISO, MSS SP67, API 609 F/F, ASME B16.34 and meet the face to face dimensions of ISO 5752/20, API 609 and MSS SP67 narrow face to face, in all sizes. The one-piece A 395 Ductile iron disc insert shall be electroless nickel plated and encapsulated with a minimum of 1/8 in (3 mm) thick PFA. The liner to be machined with 1/8 in (3 mm) nominal thickness and recessed into valve body. The disc is to have spherically machined hubs and convex edge, while liner should have spherically machined sockets at disc hub interface with a concave seating surface. The seat and primary stem seals shall be energized by a silicone rubber backup member that is the same width as the disc edge and locked into a mating groove in the body. The stem shall have machined convolutions. The convolutions provide an independent and separate labyrinth seal between the stem and liner and must be live loaded by the use of compressed springs. An atmospheric stem seal shall be provided with separate O-ring seals for the shaft and body bore. Upper and lower stem seal assemblies shall be held in place by a heavy metal plate fastened to the body. Snap rings are not acceptable. Positive stem blow out shall be provided between the disc and top of the shaft in case separation occurs. This stem blow out preventer shall be internal in the neck area and separate from the operator. Provision to drill and tap the neck for leak detection at the top and bottom shall be standard. The interchangeable ISO actuator mounting pad shall be standard. A 10-position epoxy coated lockable locking lever shall be optional on valves 2 in (50 mm) through 6 in (150 mm) and an enclosed worm gear operator optional on all sizes. The valve shall be Durco Series BTV-2000.

Example

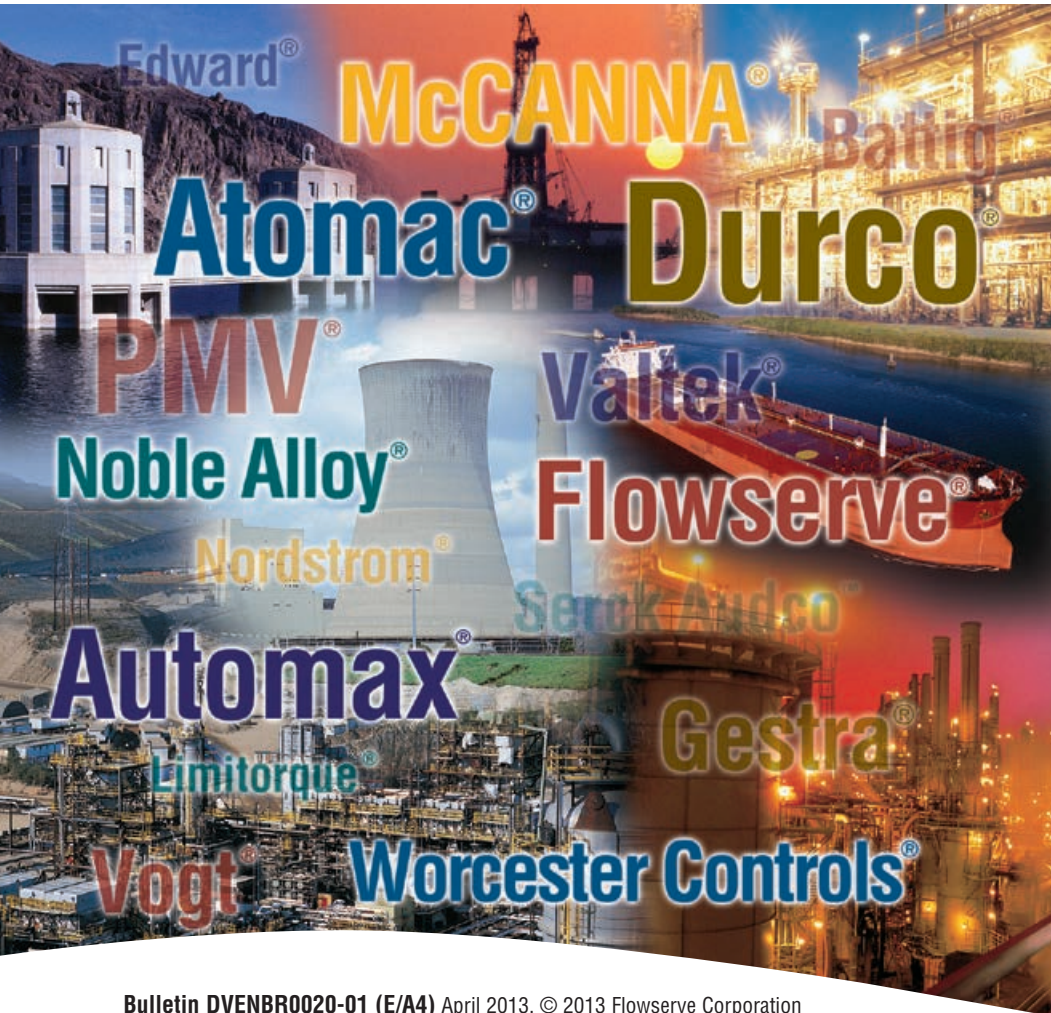
12-B T L 4 8 1-V- - -

12 in BTV-2000 butterfly valve with PTFE liner; lug design Class 150 drilling, ductile cast iron split body and PFA disc; enclosed gear operator; Viton energizer and seals; no additional options.

Materials Selection Chart

D4 = ASTM A351/A744 Gr. CF8M (316 S.S.)	254 SMO = ASTM A744/A351 (CK-3MCuN)
D20 = ASTM A351/A744 Gr. CN-7M (Durimet 20)	Titanium = ASTM B367 Gr. C-2 ³
D100 = ASTM A351/A744 Gr. CD4MCu (Durcomet 100)	PFA = Perfluoroalkoxy polymer
DM = ASTM A494 Gr. M35-2 (Monel 400) ²	PTFE = Tetrafluorethylene polymer
DCI = ASTM A395 (Ductile Iron)	Sentinel = Modified fluoropolymer
DC2 = ASTM A494 Gr. N-7M (Chlorimet 2)	UHMWPE = Ultra-high molecular weight polyethylene
DC3 = ASTM A494 Gr. CW-6M (Chlorimet 3)	TiP = ASTM B367 Gr. TiPd 8A ⁴

1. Registered trademark of Avesta AB
2. Registered trademark of the International Nickel Company, Inc.
3. Commercial Titanium
4. Palladium Stabilized Titanium



Flowserve Corporation
Flow Control Division
Cookeville, Tennessee 38501
+1 931 432 4021

Flowserve Ahaus GmbH
Von Braun Straße 19a
D-48683 Ahaus
Germany
Phone: +49 2561 686-0
Fax: +49 2561 686-39

Flowserve Pte. Ltd.
12 Tuas Avenue 20
Republic of Singapore 638824
Phone: 65 862 3332
Fax: 65 862 2800

Bulletin DVENBR0020-01 (E/A4) April 2013. © 2013 Flowserve Corporation

Consult your local stocking distributor or for more information about Flowserve Corporation, visit www.flowserve.com.