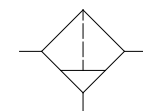


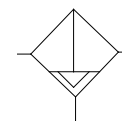
Aluminum alloy 1 1/2"-2"NPT Filter – F serie

Filtro da 1 1/2"-2"NPT in lega di alluminio – serie F

- Suitable for automation equipment to onshore, offshore, pharmaceutical, medical and food applications
- Full material traceability
- Excellent stability and repeatability
- Accurate adjustment and high flow capacity
- ATEX 2014/34/UE - II2GD c IICT6 X Ex / IP66
- ATEX & Ex approved
 - Adatto per automazione in applicazioni marine, petrolchimiche, farmaceutiche, medicali e alimentari
 - Completa rintracciabilità dei materiali
 - Eccellente stabilità e ripetibilità
 - Precise regolazioni ed elevate portate
 - ATEX 2014/34/UE - II2GD c IICT6 X Ex / IP66
 - Approvato ATEX ed Ex



Manual Drain



Automatic Drain

Media / Fluido	Compressed air, inert gases, sweet and sour gases
Port thread / Connessioni	1 1/2"-2" NPT
Gauge Connection Connessione manometro	1/8"NPT (1/4"NPT option)
Filtering element Elemento filtrante	stainless steel 25micron standard
Max inlet pressure / Pressione massima di ingresso	20 bar*
Drain valve/ Scarico condensa	Manual or automatic
Flow Rate (@6 bar Inlet pressure, delta P=0.35bar) / Portata	1 1/2" - 21000dm ³ /min Cv=34,5 2" - 29000dm ³ /min Cv=46,5
Working temperature / Temperatura di esercizio	-20°C up to 80°C (NBR); -25°C up to 90°C (FKM); -40°C up to 80°C (EPDM) **

Air supply must be dry enough to avoid ice formation at temperatures below +2°C (+35°F).

*NB: for gas usage - max inlet pressure: 15bar (in accordance with 2014/68/EU)

**Special version available for -55°C up to 90°C

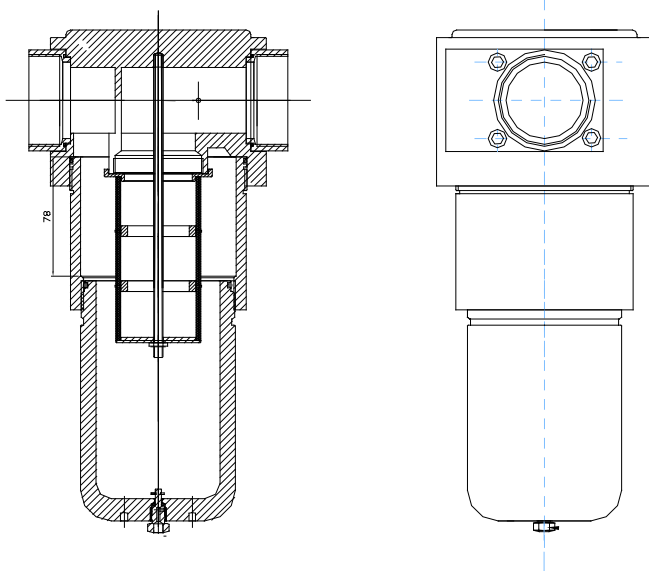
It provides excellent filtering for a wide range of applications. Rugged and corrosion-resistant – made of barstock aluminium alloy and AISI304/316 / Permette una filtrazione accurata per una vasta gamma di applicazioni. Robusto e resistente alla corrosione – Costruito in lega di alluminio tropicalizzata e AISI304/316

BUILDING MATERIALS	Materiali costruttivi
Body, bonnet, bowl in tropicalized aluminum alloy, internals in stainless steel	Corpo, coperchio, tazza in lega di alluminio tropicalizzata, particolari interni in acciaio inossidabile
Lock and panel nuts, fixing screws AISI316 stainless steel or galvanized steel	Dadi di bloccaggio e pannello, viti di fissaggio acciaio inossidabile od acciaio galvanizzato
Diaphragm and valve assembly in elastomer and AISI316 stainless steel	Assieme diaframma ed assieme valvola in elastomero ed acciaio inossidabile AISI316
Filtering element in AISI316 stainless steel	Elemento filtrante in acciaio inossidabile AISI316
Seals in elastomer	Guarnizioni in elastomero

Overall dimension

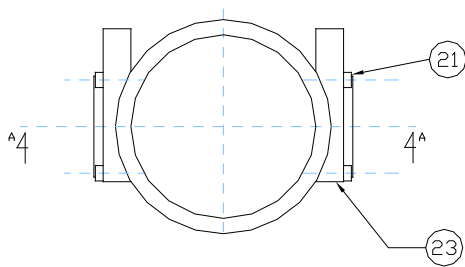
Dimensioni di ingombro

F24, F32 serie



F24 A = 1 1/2"

F32 A = 2"



Max inlet pressure for automatic drain 16bar

Massima pressione di ingresso con scarico automatico 16bar

Accessories and repair kit

Accessori e ricambi

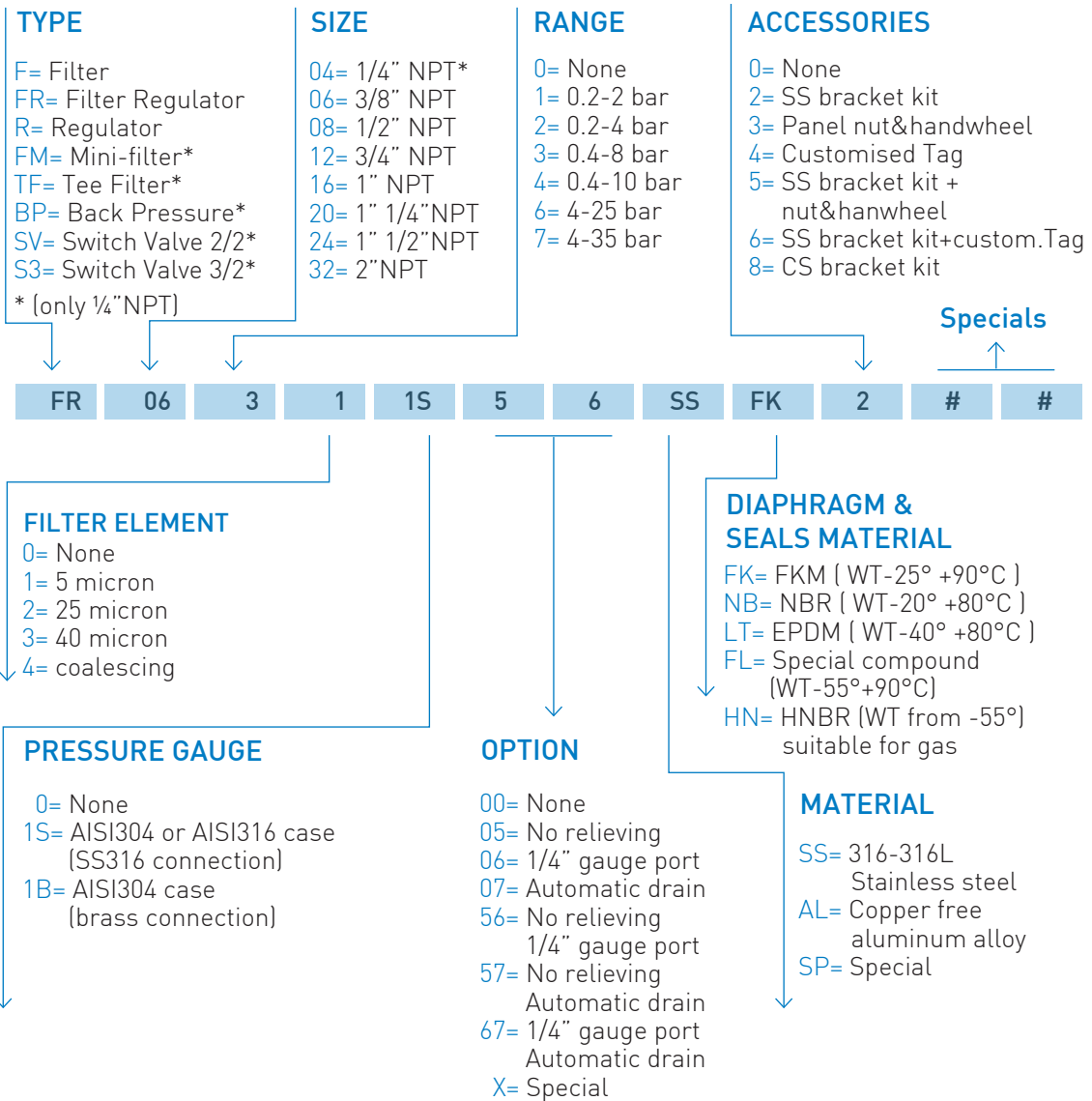
Maintenance kit / Kit manutenzione	Items F-32-K-XAL-** [1 1/2"; 2"]
Pressure gauge DN40mm, SS case, Bar+psi+kpa range / Manometro DN40mm, cassa inox, scala Bar+psi+kpa	0-2bar MBSNP4S2PN3S 0-4bar MBSNP4S2PN05 0-10bar MBSNP4S2PN07

** Refers to seals type:

FK→FKM NB→NBR LT→EPDM FL→Low temperature compound HN→HNBR

Ordering information

Come ordinare



CODE EXAMPLES

FR 06 3 3 1S 0 7 SS FK 2

3/8"NPT, SS316, 0 to 8 bar range, filter regulator, with 40 micron filtering element, relieving, SS pressure gauge, automatic drain, ss bracket kit and FKM diaphragm & seals
 Filtro regolatore da 3/8"NPT in AISI316, range regolato 0/8 bar, elemento filtrante da 40 micron, manometro tutto inox, relieving, scarico condensa automatico, staffa inox, diaframma e tenute in FKM

FR 06 3 1 00 0 0 SS FK 0

3/8"NPT, SS316, 0 to 8 bar range, filter regulator, with 5 micron filtering element, relieving and FKM diaphragm & seals
 Filtro regolatore da 3/8"NPT in AISI316, range regolato 0/8 bar, elemento filtrante da 5 micron, relieving, diaframma e tenute in FKM

